



8800 Series

ANSI/BHMA Grade 1 Certified
Mortise Locks



An ASSA ABLOY Group brand

ASSA ABLOY



Table of Contents

CONTENTS

Benefits & Features	3-4
SL8800	4
How to Order	5
Finishes	6
Lever Trim.....	7-10
Reflections® Decorative Trim.....	11-12
Knob Trim.....	13
Mechanical Functions.....	14-23
Electrified Mortise Locksets	24
Electrified Mortise Lockset Functions.....	25-26
Electrified Mortise Lockset Accessories.....	27
Cylinders	28-30
Cylinder Collars	31-37
Strikes	38
Occupancy Indicators.....	39
Miscellaneous.....	40
Handing.....	41
Dimensions.....	42
Installations.....	42-43
Technical Specifications & Listings.....	44

8800 SERIES MORTISE LOCKS

Yale® 8800 Series Mortise Locks are designed and manufactured for uncompromising strength and durability in a range of commercial applications. Lock installation is made easy with quick lever handing, field reversible latchbolt and standard non-handed strike. Once installed, the 8800 Series Mortise Lock offers a new measure of security, featuring a reinforced stainless steel deadbolt, heavy-duty, vandal-resistant trim and ANSI/BHMA Grade 1 certification for long life and durability. The 8800 Series Mortise Lock is even backed by a 10 year mechanical warranty, making this product completely worry-free.

When you can't compromise on the quality of your security, Yale Works for YouSM.



MicroShield®

As part of their promise to provide innovative solutions to their customers, certain ASSA ABLOY Group brands offer the MicroShield® technology, a silver-based antimicrobial coating designed to inhibit the growth of bacteria.

MicroShield® is a registered trademark of Yale Security Inc., an ASSA ABLOY Group company.



Benefits & Features

Secure:
Stainless steel reinforced deadbolt

Easy and flexible installation:
Field reversible lever handing and latchbolt

Resistant to abuse:
Heavy-duty trim prevents damage

No visible screws:
Great deterrent to vandalism

Occupancy indicator available:
Options to suit any application, see page 39
Cylinder indicator as shown when deadbolt thrown

Privacy indicator as shown when deadbolt retracted

Yale
Yale
Yale
Yale

Hurricane UL BHMA CERTIFIED



Features

FEATURES

- Heavy-duty trim for resistance against damage and vandalism
- Functions available for any industrial or commercial application
- Field adjustable lever handing and latchbolt
- ANSI/BHMA Certified Grade 1 for long-life and durability
- UL/cUL listed for 3 hour fire rated doors
- 10 year mechanical warranty
- Available in a variety of attractive trims and finishes



Escutcheon Trim



Rose/Sectional Trim

APPLICATIONS

- ▶ Offices
- ▶ Shopping centers
- ▶ Industrial buildings
- ▶ Commercial facilities

SPECIFICATIONS

Armor Front:	8" x 1-1/4"
Backset:	2-3/4" only
Case:	Wrought steel, zinc dichromated
Deadbolt:	1" throw, cast stainless steel.
Door Thickness:	1-3/4" standard, available for up to 3-1/4" thick doors
Handing:	Field reversible
Hubs:	3/8" solid steel, fine-blanked and heat treated for additional strength
Latchbolt:	3/4" throw, stainless steel one-piece anti-friction
Strike:	1-1/4" (model 2815) curved lip strike standard, see page 38 for additional options.

SL8800

For more heavy-duty applications, the SL8800 Series Mortise Lock offers an extra measure of security. The SL8800 is ideal for situations where heavy abuse or vandalism might be a concern. The SL8800 is available in most mortise lock functions; please see pages 14-23 for more information.

FEATURES

- Heavy duty escutcheon trim that is flat against the door to resist damage and vandalism
- Lever attached directly to escutcheon for added security
- Thrubolted security head screws offer added protection



APPLICATIONS

- ▶ Schools
- ▶ Minimum security prisons
- ▶ High crime areas



How To Order

Trim Design	Lock Series/Function	Cylinder	Hand	Door Thickness	Finish	Highest Keying Level	Supplementary Specifications/Options <small>Please add to end of order string.</small>
See pages 7-13	See pages 14-23	2153 cylinder standard, see pages 28-30 for additional options. If other than the standard cylinder is required, please specify by model number.	RH LH	1-3/4" standard, please specify if different door thickness required	See page 6 YMS = MicroShield	"Level One" - KA or KD "Level Two" - MK "Level Three" - GM "Level Four" - GGM	<ul style="list-style-type: none"> - Lead lined (see page 44) - Knurled (see page 44) - Abrasive coated - Specific keying - 7-pin cylinders (see page 28) - Specific strike requirements, i.e. special lip length, curved, open back (see page 38) - Special attachment or special head screws (see page 40) - For split finishes, please specify in detail. Indicate outside finish first regardless of hand of door. For RHR and LHR doors indicate the finish desired for front and strike. - Voltage for electrified (see page 24-27)

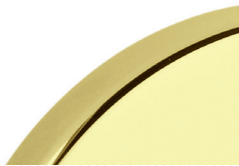
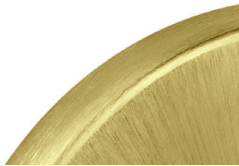







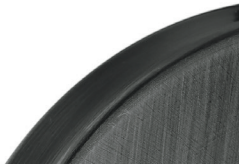


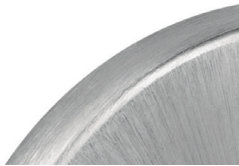






ORDERING EXAMPLE

AU x CN x 8807FL x 2153 x RH x 1-3/4" x 626 x GM



Finishes

The Yale® 8800 Series Mortise Lock is available in the finishes below. All knobs, lever handles, roses, escutcheons, cylinder collars and other exposed parts are fabricated of either brass, bronze, stainless steel or zinc and will be compatible with the finish ordered. When ordering, specify the finish required by the ANSI/BHMA Code Number only. When locksets are ordered with different trim finishes on each side, specify the outside finish first, i.e. COR8817-2 x 612 x 625. The front and strike finish will match the inside finish unless specified otherwise.

ANSI/BHMA Code Finish Description				
605 Bright Brass, Clear Coated 	606 Satin Brass, Clear Coated 	609 Satin Brass, Blackened, Satin Relieved, Clear Coated 	611 Bright Bronze, Clear Coated 	612 Satin Bronze, Clear Coated 
613E Dark Oxidized Satin Bronze - equivalent 	616 Satin Bronze, Blackened, and Satin Relieved, Clear Coated 	618 Bright Nickel Plated, Clear Coated 	619 Satin Nickel Plated, Clear Coated 	620 Satin Nickel Plated, Blackened, Satin Relieved, Clear Coated 
625 Bright Chrome Plated 	626 Satin Chrome Plated  	629 Bright Stainless Steel 	630 Satin Stainless Steel  	693 Black Painted 
BSP Black Suede Powder Coat 	WSP White Suede Powder Coat 			

Notes:

613 and 722 finishes available by Special Product Application Request only. Please contact customer service for more information.

Designer trims are available in only the following finishes: 605, 606, 619, 625, 656. Reflections® decorative levers are available only in the following finishes: 605, 606, 611, 612, 613, 613E, 618, 619, 625, 626, 722



Finish available with MicroShield® antimicrobial coating. Add YMS suffix to order Microshield antimicrobial coating.

MicroShield coating may vary finish color from architectural standards. MicroShield is not intended as a substitute for traditional infection control programs such as hand hygiene or use of disinfectants. Coated products must still be cleaned to ensure the surfaces will be free of destructive microbes. Yale makes no representations or warranties, express or implied, as to the efficacy of MicroShield.



Lever Trim

STANDARD ROSE

Arcadia - ARR

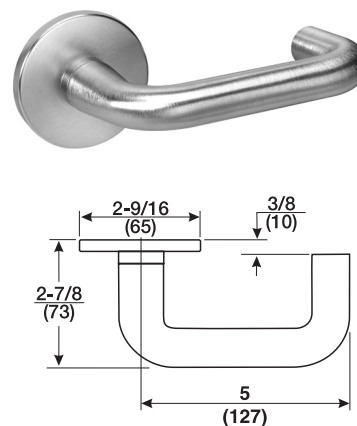
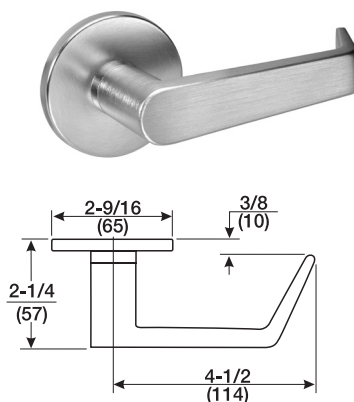
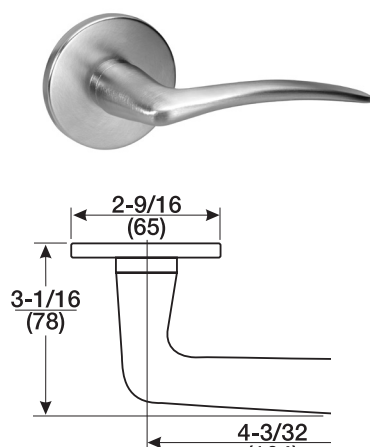
AR Lever Handle*: Cast
 CO Rose** : Stamped
 Cylinder Collar: See pages 31-37

Augusta - AUR

AU Lever Handle: Cast
 CO Rose** : Stamped
 Cylinder Collar: See pages 31-37

Carmel - CRR

CR Lever Handle: Cast
 CO Rose** : Stamped
 Cylinder Collar: See pages 31-37



STANDARD ESCUTCHEON

Arcadia - AR X CN

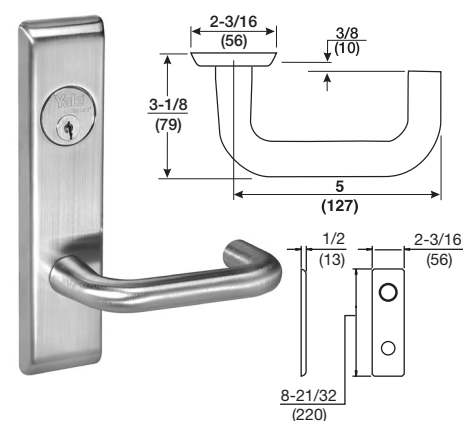
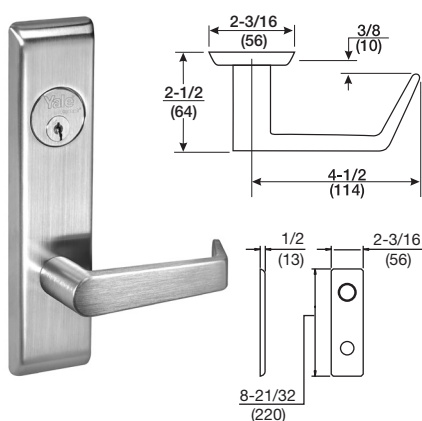
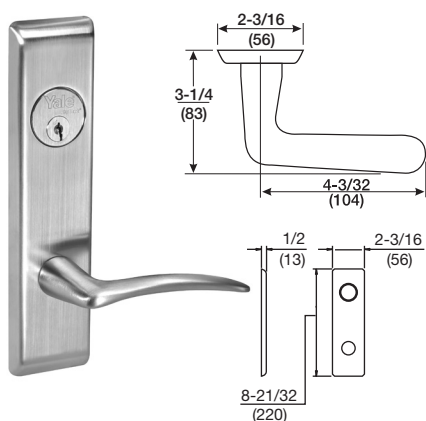
AR Lever Handle*: Cast
 CN Escutcheon** : Cast
 Cylinder Collar: See pages 31-37

Augusta - AU X CN

AU Lever Handle: Cast
 CN Escutcheon** : Cast
 Cylinder Collar: See pages 31-37

Carmel - CR X CN

CR Lever Handle: Cast
 CN Escutcheon** : Cast
 Cylinder Collar: See pages 31-37



Trim also available for SL Series, please specify ARSL.

Trim also available for SL Series, please specify AUSL.

Trim also available for SL Series, please specify CRSL.

*Indicates levers that are handed.

**Available with Reflections® rose or escutcheon. See page 12 for options.



Lever Trim

STANDARD ROSE

Jefferson - JNR

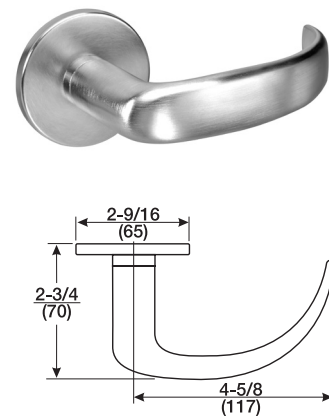
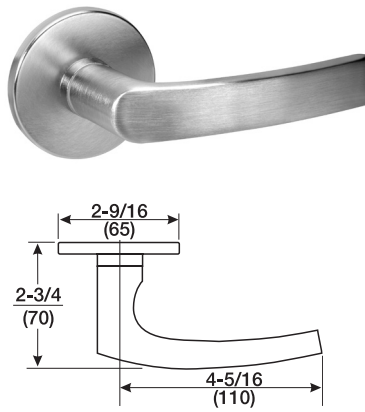
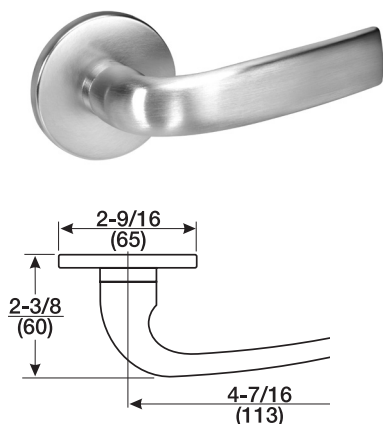
JN Lever Handle: Cast
 CO Rose²: Stamped
 Cylinder Collar: See pages 31-37

Monroe - MOR

MO Lever Handle: Cast
 CO Rose²: Stamped
 Cylinder Collar: See pages 31-37

Pacific Beach - PBR

PB Lever Handle: Cast
 CO Rose²: Stamped
 Cylinder Collar: See pages 31-37



STANDARD ESCUTCHEON

Jefferson - JN X CN

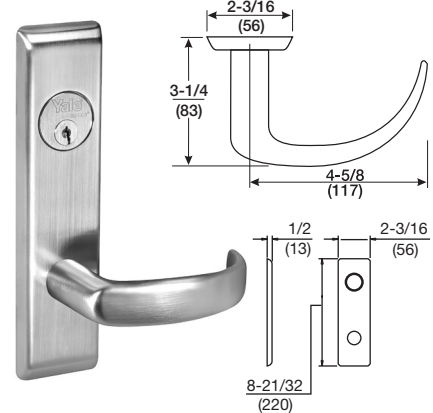
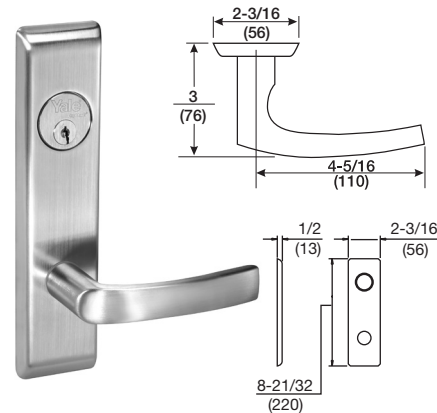
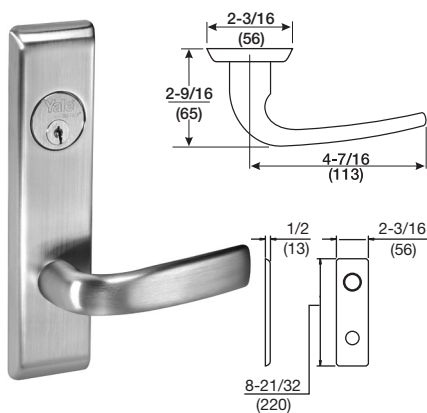
JN Lever Handle: Cast
 CN Escutcheon¹: Cast
 Cylinder Collar: See pages 31-37

Monroe - MO X CN

MO Lever Handle: Cast
 CN Escutcheon¹: Cast
 Cylinder Collar: See pages 31-37

Pacific Beach - PB X CN

PB Lever Handle: Cast
 CN Escutcheon¹: Cast
 Cylinder Collar: See pages 31-37



Trim also available for SL Series, please specify JNSL.

Trim also available for SL Series, please specify MOSL.

Trim also available for SL Series, please specify PBSL.

¹Indicates levers that are handed.

²Available with Reflections[®] rose or escutcheon. See page 12 for options.



Lever Trim

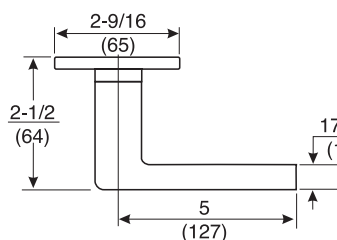
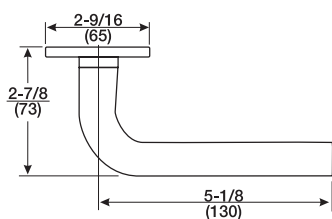
STANDARD ROSE

Pinehurst - PNR

PN Lever Handle: Cast
 CO Rose**: Stamped
 Cylinder Collar: See pages 31-37

Virginia - VIR

VI Lever Handle: Cast
 CO Rose**: Stamped
 Cylinder Collar: See pages 31-37



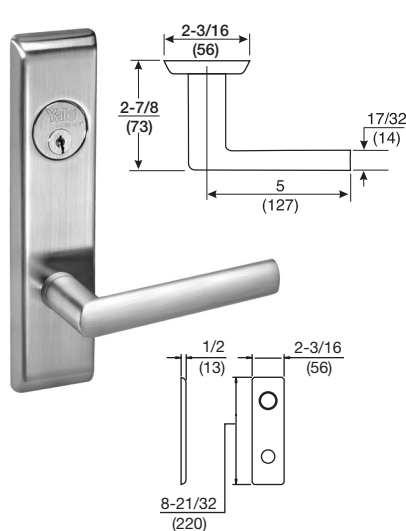
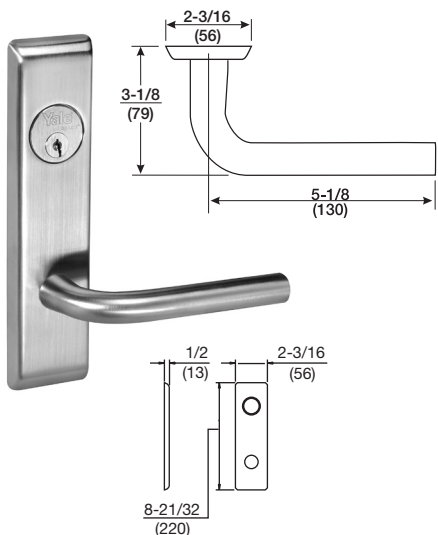
STANDARD ESCUTCHEON

Pinehurst - PN X CN

PN Lever Handle: Cast
 CN Escutcheon**: Cast
 Cylinder Collar: See pages 31-37

Virginia - VI X CN

VI Lever Handle: Cast
 CN Escutcheon**: Cast
 Cylinder Collar: See pages 31-37



Trim also available for SL Series, please specify VISL.

*Indicates levers that are handed.

**Available with Reflections® rose or escutcheon. See page 12 for options.



Lever Trim

DESIGNER TRIM

Hampton - HA

HA Lever Handle: Cast
E3 or E4 Escutcheon: Cast

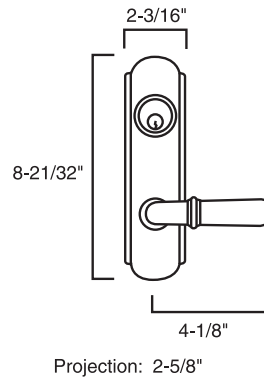
HA Lever Handle: Cast
R3, R4, R5, R6, R7 or R8 Rose: Cast



E3



R5



Escutcheons, Roses and Parts



E3

E4



R3

R5



Emergency Release



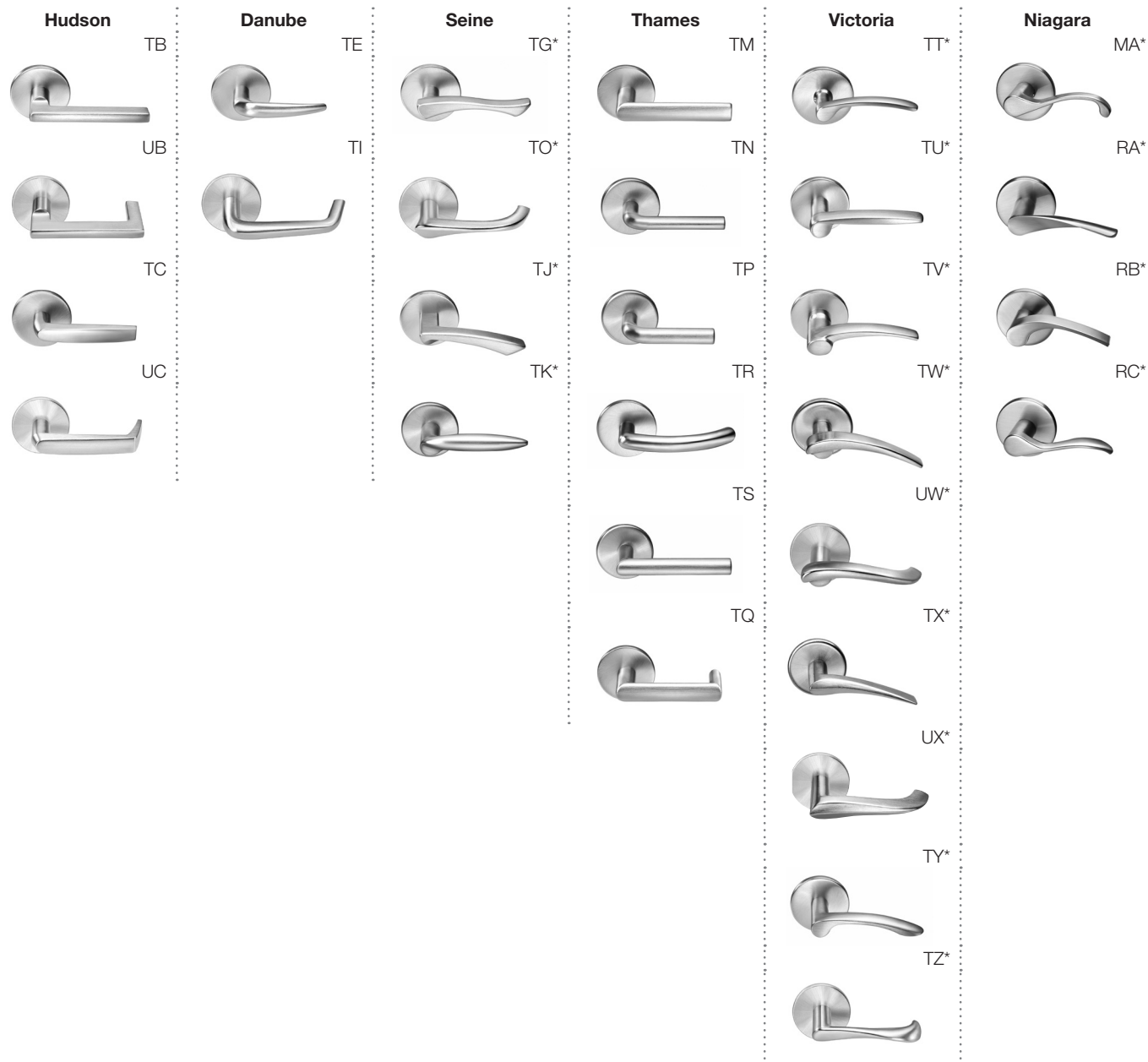
Thumbturn
1-1/2" x 1"
Projection

Designer trims are available in only the following finishes: 605, 606, 619, 625, 626. When ordering, please include the design symbol (i.e. HA) and specific rose or escutcheon symbol (R3-R8, E3 or E4. See page 12 for more information.). An example of a complete symbol, including lever design, would be HAE3. Escutcheon E3 and Rose R5 are shown with above lever designs. Levers are also available for use with standard CO rose and/or CN escutcheon as shown on pages 7-9.



Reflections® Decorative Trim

Yale® 8800RL Mortise Locks are available with Reflections lever trim, a comprehensive line of highly stylized lever handles. Reflections lever handles are made from solid brass or stainless steel and can withstand years of abuse. Available in an array of finishes, these levers complement any wood grain or other door exterior. Each lever is hand-polished and specially designed for ergonomics and style.



*Indicates levers that are handed.

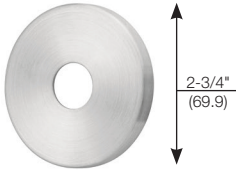
Note: The following Reflections levers are not available in 629 or 630 finish: Victoria TT, TU, TV, TW, TX, TY, UW, UX, TZ; Seine TG, TJ, TK, TO; Danube TE, TI; Hudson TD. Please consider the 618 or 619 finish as an alternative.



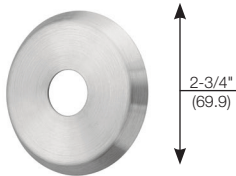
Reflections® Decorative Trim

REFLECTIONS® ROSES

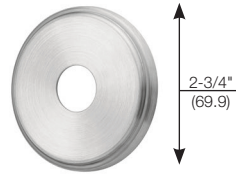
R3



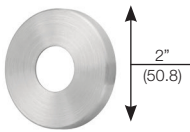
R4



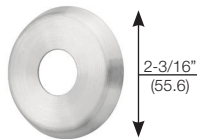
R5



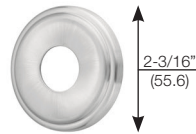
R6



R7



R8



REFLECTIONS® ESCUTCHEONS

E3



E4



Note: Reflections levers are also available for use with CO rose and/or CN escutcheon as shown on pages 7-9.

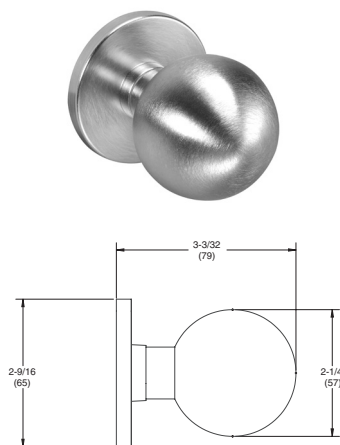


Knob Trim

STANDARD ROSE

Copenhagen - COR

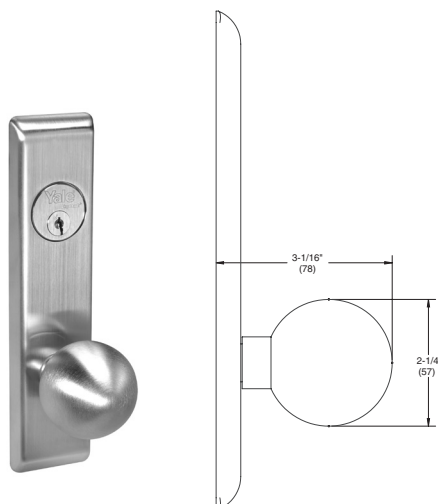
CO Knob: Cast
CO Rose¹: Stamped
Cylinder Collar: See pages 31-37



STANDARD ESCUTCHEON

Copenhagen - CO X CN

CO Knob: Cast
CN Escutcheon¹: Cast
Cylinder Collar: See pages 31-37



1. Available with Reflections® rose or escutcheon. See page 12 for options.



Mechanical Functions

Mechanical Functions (ANSI)	Description / Model Numbers	Armor Front Part Number	*Cylinder	*Cam	Escutcheon Plate Spacing Numbers		Spindles		Illustration Outside Inside																		
					Outside	Inside	Knobs	Levers (Std.)																			
8801 PASSAGE OR CLOSET LATCH (F01)	<ul style="list-style-type: none"> For doors that do not require locking. Latchbolt retracted by knob/lever either side at all times. 	50-8801-x219-FIN	—	—	201	201	1178L	1178L																			
	<table border="1"> <thead> <tr> <th rowspan="2">Trim</th> <th colspan="2">Model Numbers</th> <th rowspan="2">Latchbolt Throw</th> </tr> <tr> <th>Knobs</th> <th>Levers</th> </tr> </thead> <tbody> <tr> <td>Standard</td> <td>8801</td> <td>8801FL</td> <td>3/4"</td> </tr> <tr> <td>SL</td> <td>—</td> <td>SL8801FL</td> <td>3/4"</td> </tr> <tr> <td>Reflections®</td> <td>—</td> <td>8801RL</td> <td>3/4"</td> </tr> </tbody> </table>									Trim	Model Numbers		Latchbolt Throw	Knobs	Levers	Standard	8801	8801FL	3/4"	SL	—	SL8801FL	3/4"	Reflections®	—	8801RL	3/4"
	Trim										Model Numbers			Latchbolt Throw													
										Knobs	Levers																
Standard	8801	8801FL	3/4"																								
SL	—	SL8801FL	3/4"																								
Reflections®	—	8801RL	3/4"																								
<table border="1"> <thead> <tr> <th rowspan="2">Trim</th> <th colspan="2">Model Numbers</th> <th rowspan="2">Throw</th> </tr> <tr> <th>Knobs</th> <th>Levers</th> </tr> </thead> <tbody> <tr> <td>Standard</td> <td>8802</td> <td>8802FL</td> <td>3/4" 1"</td> </tr> <tr> <td>SL</td> <td>—</td> <td>SL8802FL</td> <td>3/4" 1"</td> </tr> <tr> <td>Reflections®</td> <td>—</td> <td>8802RL</td> <td>3/4" 1"</td> </tr> </tbody> </table>	Trim	Model Numbers		Throw	Knobs	Levers	Standard	8802	8802FL	3/4" 1"	SL	—	SL8802FL	3/4" 1"	Reflections®	—	8802RL	3/4" 1"									
Trim		Model Numbers			Throw																						
	Knobs	Levers																									
Standard	8802	8802FL	3/4" 1"																								
SL	—	SL8802FL	3/4" 1"																								
Reflections®	—	8802RL	3/4" 1"																								
<table border="1"> <thead> <tr> <th rowspan="2">Trim</th> <th colspan="2">Model Numbers</th> <th rowspan="2">Latchbolt: Deadbolt</th> </tr> <tr> <th>Knobs</th> <th>Levers</th> </tr> </thead> <tbody> <tr> <td>Standard</td> <td>8805</td> <td>8805FL</td> <td>3/4"</td> </tr> <tr> <td>SL</td> <td>—</td> <td>SL8805FL</td> <td>3/4"</td> </tr> <tr> <td>Reflections®</td> <td>—</td> <td>8805RL</td> <td>3/4"</td> </tr> </tbody> </table>	Trim	Model Numbers		Latchbolt: Deadbolt	Knobs	Levers	Standard	8805	8805FL	3/4"	SL	—	SL8805FL	3/4"	Reflections®	—	8805RL	3/4"									
Trim		Model Numbers			Latchbolt: Deadbolt																						
	Knobs	Levers																									
Standard	8805	8805FL	3/4"																								
SL	—	SL8805FL	3/4"																								
Reflections®	—	8805RL	3/4"																								
8802 PRIVACY, BEDROOM OR BATH LOCK (F19)	<ul style="list-style-type: none"> Latchbolt retracted by knob/lever either side. Deadbolt operated by thumbturn inside. When the deadbolt is projected, outside knob/lever is automatically locked. Anti-panic operation. Operating inside knob/lever retracts the latchbolt and deadbolt simultaneously, automatically unlocking outside knob/lever. In emergency, deadbolt may be unlocked from outside by E203 emergency key, supplied. 	50-8802-x219-FIN	—	—	211	211	1178L	1178L																			
	<table border="1"> <thead> <tr> <th rowspan="2">Trim</th> <th colspan="2">Model Numbers</th> <th rowspan="2">Throw</th> </tr> <tr> <th>Knobs</th> <th>Levers</th> </tr> </thead> <tbody> <tr> <td>Standard</td> <td>8805</td> <td>8805FL</td> <td>3/4"</td> </tr> <tr> <td>SL</td> <td>—</td> <td>SL8805FL</td> <td>3/4"</td> </tr> <tr> <td>Reflections®</td> <td>—</td> <td>8805RL</td> <td>3/4"</td> </tr> </tbody> </table>									Trim	Model Numbers		Throw	Knobs	Levers	Standard	8805	8805FL	3/4"	SL	—	SL8805FL	3/4"	Reflections®	—	8805RL	3/4"
	Trim										Model Numbers			Throw													
										Knobs	Levers																
Standard	8805	8805FL	3/4"																								
SL	—	SL8805FL	3/4"																								
Reflections®	—	8805RL	3/4"																								
<table border="1"> <thead> <tr> <th rowspan="2">Trim</th> <th colspan="2">Model Numbers</th> <th rowspan="2">Latchbolt: Deadbolt</th> </tr> <tr> <th>Knobs</th> <th>Levers</th> </tr> </thead> <tbody> <tr> <td>Standard</td> <td>8805</td> <td>8805FL</td> <td>3/4"</td> </tr> <tr> <td>SL</td> <td>—</td> <td>SL8805FL</td> <td>3/4"</td> </tr> <tr> <td>Reflections®</td> <td>—</td> <td>8805RL</td> <td>3/4"</td> </tr> </tbody> </table>	Trim	Model Numbers		Latchbolt: Deadbolt	Knobs	Levers	Standard	8805	8805FL	3/4"	SL	—	SL8805FL	3/4"	Reflections®	—	8805RL	3/4"									
Trim		Model Numbers			Latchbolt: Deadbolt																						
	Knobs	Levers																									
Standard	8805	8805FL	3/4"																								
SL	—	SL8805FL	3/4"																								
Reflections®	—	8805RL	3/4"																								
<table border="1"> <thead> <tr> <th rowspan="2">Trim</th> <th colspan="2">Model Numbers</th> <th rowspan="2">Latchbolt Throw</th> </tr> <tr> <th>Knobs</th> <th>Levers</th> </tr> </thead> <tbody> <tr> <td>Standard</td> <td>8807</td> <td>8807FL</td> <td>3/4"</td> </tr> <tr> <td>SL</td> <td>—</td> <td>SL8807FL</td> <td>3/4"</td> </tr> <tr> <td>Reflections®</td> <td>—</td> <td>8807RL</td> <td>3/4"</td> </tr> </tbody> </table>	Trim	Model Numbers		Latchbolt Throw	Knobs	Levers	Standard	8807	8807FL	3/4"	SL	—	SL8807FL	3/4"	Reflections®	—	8807RL	3/4"									
Trim		Model Numbers			Latchbolt Throw																						
	Knobs	Levers																									
Standard	8807	8807FL	3/4"																								
SL	—	SL8807FL	3/4"																								
Reflections®	—	8807RL	3/4"																								
8805 STOREROOM OR CLOSET LOCK (F07)	<ul style="list-style-type: none"> For use on storeroom, utility, exit doors. Latchbolt retracted by key outside, knob/lever inside. Outside knob/lever rigid at all times. Inside knob/lever always active. Deadlocking latchbolt. 	50-8805-x219-FIN	2153	2160	208	201	1178L	1178L																			
	<table border="1"> <thead> <tr> <th rowspan="2">Trim</th> <th colspan="2">Model Numbers</th> <th rowspan="2">Latchbolt Throw</th> </tr> <tr> <th>Knobs</th> <th>Levers</th> </tr> </thead> <tbody> <tr> <td>Standard</td> <td>8807</td> <td>8807FL</td> <td>3/4"</td> </tr> <tr> <td>SL</td> <td>—</td> <td>SL8807FL</td> <td>3/4"</td> </tr> <tr> <td>Reflections®</td> <td>—</td> <td>8807RL</td> <td>3/4"</td> </tr> </tbody> </table>									Trim	Model Numbers		Latchbolt Throw	Knobs	Levers	Standard	8807	8807FL	3/4"	SL	—	SL8807FL	3/4"	Reflections®	—	8807RL	3/4"
	Trim										Model Numbers			Latchbolt Throw													
										Knobs	Levers																
Standard	8807	8807FL	3/4"																								
SL	—	SL8807FL	3/4"																								
Reflections®	—	8807RL	3/4"																								
<table border="1"> <thead> <tr> <th rowspan="2">Trim</th> <th colspan="2">Model Numbers</th> <th rowspan="2">Latchbolt: Deadbolt</th> </tr> <tr> <th>Knobs</th> <th>Levers</th> </tr> </thead> <tbody> <tr> <td>Standard</td> <td>8807</td> <td>8807FL</td> <td>3/4"</td> </tr> <tr> <td>SL</td> <td>—</td> <td>SL8807FL</td> <td>3/4"</td> </tr> <tr> <td>Reflections®</td> <td>—</td> <td>8807RL</td> <td>3/4"</td> </tr> </tbody> </table>	Trim	Model Numbers		Latchbolt: Deadbolt	Knobs	Levers	Standard	8807	8807FL	3/4"	SL	—	SL8807FL	3/4"	Reflections®	—	8807RL	3/4"									
Trim		Model Numbers			Latchbolt: Deadbolt																						
	Knobs	Levers																									
Standard	8807	8807FL	3/4"																								
SL	—	SL8807FL	3/4"																								
Reflections®	—	8807RL	3/4"																								
<table border="1"> <thead> <tr> <th rowspan="2">Trim</th> <th colspan="2">Model Numbers</th> <th rowspan="2">Latchbolt Throw</th> </tr> <tr> <th>Knobs</th> <th>Levers</th> </tr> </thead> <tbody> <tr> <td>Standard</td> <td>8807</td> <td>8807FL</td> <td>3/4"</td> </tr> <tr> <td>SL</td> <td>—</td> <td>SL8807FL</td> <td>3/4"</td> </tr> <tr> <td>Reflections®</td> <td>—</td> <td>8807RL</td> <td>3/4"</td> </tr> </tbody> </table>	Trim	Model Numbers		Latchbolt Throw	Knobs	Levers	Standard	8807	8807FL	3/4"	SL	—	SL8807FL	3/4"	Reflections®	—	8807RL	3/4"									
Trim		Model Numbers			Latchbolt Throw																						
	Knobs	Levers																									
Standard	8807	8807FL	3/4"																								
SL	—	SL8807FL	3/4"																								
Reflections®	—	8807RL	3/4"																								
8807 ENTRY LOCK (F04)	<ul style="list-style-type: none"> For office doors where locking is required. Latchbolt retracted by knob/lever either side, except when outside knob/lever is locked by stopwork activator. When outside knob/lever is locked, latchbolt is operated by key outside and knob/lever inside. Deadlocking latchbolt. 	50-8807-x219-FIN	2153	2160	208	201	1178L	1178L																			
	<table border="1"> <thead> <tr> <th rowspan="2">Trim</th> <th colspan="2">Model Numbers</th> <th rowspan="2">Latchbolt Throw</th> </tr> <tr> <th>Knobs</th> <th>Levers</th> </tr> </thead> <tbody> <tr> <td>Standard</td> <td>8807</td> <td>8807FL</td> <td>3/4"</td> </tr> <tr> <td>SL</td> <td>—</td> <td>SL8807FL</td> <td>3/4"</td> </tr> <tr> <td>Reflections®</td> <td>—</td> <td>8807RL</td> <td>3/4"</td> </tr> </tbody> </table>									Trim	Model Numbers		Latchbolt Throw	Knobs	Levers	Standard	8807	8807FL	3/4"	SL	—	SL8807FL	3/4"	Reflections®	—	8807RL	3/4"
	Trim										Model Numbers			Latchbolt Throw													
										Knobs	Levers																
Standard	8807	8807FL	3/4"																								
SL	—	SL8807FL	3/4"																								
Reflections®	—	8807RL	3/4"																								
<table border="1"> <thead> <tr> <th rowspan="2">Trim</th> <th colspan="2">Model Numbers</th> <th rowspan="2">Latchbolt: Deadbolt</th> </tr> <tr> <th>Knobs</th> <th>Levers</th> </tr> </thead> <tbody> <tr> <td>Standard</td> <td>8807</td> <td>8807FL</td> <td>3/4"</td> </tr> <tr> <td>SL</td> <td>—</td> <td>SL8807FL</td> <td>3/4"</td> </tr> <tr> <td>Reflections®</td> <td>—</td> <td>8807RL</td> <td>3/4"</td> </tr> </tbody> </table>	Trim	Model Numbers		Latchbolt: Deadbolt	Knobs	Levers	Standard	8807	8807FL	3/4"	SL	—	SL8807FL	3/4"	Reflections®	—	8807RL	3/4"									
Trim		Model Numbers			Latchbolt: Deadbolt																						
	Knobs	Levers																									
Standard	8807	8807FL	3/4"																								
SL	—	SL8807FL	3/4"																								
Reflections®	—	8807RL	3/4"																								
<table border="1"> <thead> <tr> <th rowspan="2">Trim</th> <th colspan="2">Model Numbers</th> <th rowspan="2">Latchbolt Throw</th> </tr> <tr> <th>Knobs</th> <th>Levers</th> </tr> </thead> <tbody> <tr> <td>Standard</td> <td>8807</td> <td>8807FL</td> <td>3/4"</td> </tr> <tr> <td>SL</td> <td>—</td> <td>SL8807FL</td> <td>3/4"</td> </tr> <tr> <td>Reflections®</td> <td>—</td> <td>8807RL</td> <td>3/4"</td> </tr> </tbody> </table>	Trim	Model Numbers		Latchbolt Throw	Knobs	Levers	Standard	8807	8807FL	3/4"	SL	—	SL8807FL	3/4"	Reflections®	—	8807RL	3/4"									
Trim		Model Numbers			Latchbolt Throw																						
	Knobs	Levers																									
Standard	8807	8807FL	3/4"																								
SL	—	SL8807FL	3/4"																								
Reflections®	—	8807RL	3/4"																								

*Standard cylinder and cam indicated. For optional cylinders, see pages 28-30.



Mechanical Functions

Mechanical Functions (ANSI)	Description / Model Numbers				Armor Front Part Number	*Cylinder	*Cam	Escutcheon Plate Spacing Numbers		Spindles		Illustration Outside Inside	
								Outside	Inside	Knobs	Levers (Std.)		
8808 CLASSROOM LOCK (F05)	<ul style="list-style-type: none"> For classroom, office, or utility room doors. Latchbolt retracted by knob/lever either side, except when outside knob/lever is locked by key outside. Inside knob/lever always active. Deadlocking latchbolt. 				50-8805-x219-FIN	2153	2160	208	201	1178L	1178L		
	Trim	Model Numbers		Latchbolt Throw									
		Knobs	Levers										
	Standard	8808	8808FL	3/4"									
SL	—	SL8808FL	3/4"										
Reflections®	—	8808RL	3/4"										
8808-2 INTRUDER LATCHBOLT LOCK (F32)	<ul style="list-style-type: none"> Latchbolt retracted by knob/lever either side unless outside knob/lever is locked by key. Either cylinder locks or unlocks outside knob/lever. Latchbolt can be retracted by key when outside knob/lever is locked. Operating inside knob/lever retracts latchbolt, but outside knob/lever remains locked. Deadlocking latchbolt. 				50-8805-x219-FIN	2153 (both sides)	2160	208	208	1178L	1178L		
	Trim	Model Numbers		Latchbolt Throw									
		Knobs	Levers										
	Standard	8808-2	8808-2FL	3/4"									
SL	—	SL8808-2FL	3/4"										
Reflections®	—	8808-2RL	3/4"										
8809 CLASSROOM OR OFFICE LOCK	<ul style="list-style-type: none"> Latchbolt retracted by knob/lever either side unless outside knob/lever is locked by key outside or thumbturn inside. Latchbolt retracted by thumbturn inside or key outside. Inside knob/lever always active. Deadlocking latchbolt. 				50-8805-x219-FIN	2153	2160	208	211	1178L	1178L		
	Trim	Model Numbers		Latchbolt Throw									
		Knobs	Levers										
	Standard	8809	8809FL	3/4"									
SL	—	SL8809FL	3/4"										
Reflections®	—	8809RL	3/4"										
8811-2 INTRUDER DEADBOLT LOCK (F33)	<ul style="list-style-type: none"> Latchbolt retracted by knob/lever either side unless outside knob/lever is locked by key. Deadbolt operated by key either side. When deadbolt is projected, outside knob/lever is automatically locked. Key retraction of deadbolt unlocks outside knob/lever. Anti-panic operation. Operating inside knob/lever retracts the latchbolt and deadbolt simultaneously, automatically unlocking outside knob/lever. 				50-8802-x219-FIN	2153 (both sides)	2160	208	208	1178L	1178L		
	Trim	Model Numbers		Throw									
		Knobs	Levers	Latchbolt									Deadbolt
	Standard	8811-2	8811-2FL	3/4"									1"
SL	—	SL8811-2FL	3/4"	1"									
Reflections®	—	8811-2RL	3/4"	1"									

*Standard cylinder and cam indicated. For optional cylinders, see pages 28-30.



Mechanical Functions

Mechanical Functions (ANSI)	Description / Model Numbers					Armor Front Part Number	*Cylinder	*Cam	Escutcheon Plate Spacing Numbers		Spindles		Illustration Outside Inside
									Outside	Inside	Knobs	Levers (Std.)	
8812-2 INTRUDER DEADBOLT LOCK (F34)	<ul style="list-style-type: none"> Latchbolt retracted by knob/lever either side unless outside knob/lever is locked by key. Deadbolt operated by key either side. When deadbolt is projected, outside knob/lever is automatically locked. Key retraction of deadbolt unlocks outside knob/lever. Anti-panic operation. Operating inside knob/lever retracts the latchbolt and deadbolt simultaneously, automatically unlocking outside knob/lever. Deadlocking latchbolt. 					50-8820-x219-FIN	2153 (both sides)	2160	208	208	1178L	1178L	
	Trim	Model Numbers		Throw									
		Knobs	Levers	Latchbolt	Deadbolt								
	Standard	8812-2	8812-2FL	3/4"	1"								
SL	—	SL8812-2FL	3/4"	1"									
Reflections*	—	8812-2RL	3/4"	1"									
8813ST CLASSROOM DEADLOCK (F29)	<ul style="list-style-type: none"> Deadbolt operated by key outside, thumbturn inside. Thumbturn inside will retract the deadbolt but will not project it. NOT UL listed. 					50-8813-x219-FIN	2153	2160	250	251	—	—	
	Model Number	Deadbolt Throw											
	8813ST	1"											
8813ST-2 CLASSROOM DEADLOCK	<ul style="list-style-type: none"> Deadbolt operated by key either side. Thumbturn inside will retract the deadbolt but will not project it. NOT UL listed. 					50-8813-x219-FIN	2153 (both sides)	2160	250	252	—	—	
	Model Number	Deadbolt Throw											
	8813ST-2	1"											
8814 DEADLOCK (F18)	<ul style="list-style-type: none"> Deadbolt operated by key outside only. No inside operation. NOT UL listed. 					50-8813-x219-FIN	2153	2160	250	—	—	—	
	Model Number	Deadbolt Throw											
	8814	1"											
8814-2 DEADLOCK (F16)	<ul style="list-style-type: none"> Deadbolt operated by key either side. NOT UL listed. Note: Use only on rooms with more than one exit.					50-8813-x219-FIN	2153 (both sides)	2160	250	250	—	—	
	Model Number	Deadbolt Throw											
	8814-2	1"											
8815 DEADLOCK (F17)	<ul style="list-style-type: none"> Deadbolt operated by key outside, thumbturn inside. NOT UL listed. 					50-8813-x219-FIN	2153	2160	250	251	—	—	
	Model Number	Deadbolt Throw											
	8815	1"											

*Standard cylinder and cam indicated. For optional cylinders, see pages 28-30.



Mechanical Functions

Mechanical Functions (ANSI)	Description / Model Numbers	Armor Front Part Number	*Cylinder		*Cam		Escutcheon Plate Spacing Numbers		Spindles		Illustration Outside Inside																								
			Outside	Inside	Outside	Inside	Outside	Inside	Knobs	Levers (Std.)																									
8817-2 APARTMENT, EXIT OR PUBLIC TOILET LOCK (F09)	<ul style="list-style-type: none"> Latchbolt retracted by knob/lever either side, except when outside knob/lever is locked by key inside. When outside knob/lever is locked, latchbolt is operated by key outside and knob/lever inside. Deadlocking latchbolt. 	50-8805-x219-FIN	2153	2153S	2160	2130	208	208	1178L	1178L																									
	<table border="1"> <thead> <tr> <th rowspan="2">Trim</th> <th colspan="2">Model Numbers</th> <th rowspan="2">Latchbolt Throw</th> </tr> <tr> <th>Knobs</th> <th>Levers</th> </tr> </thead> <tbody> <tr> <td>Standard</td> <td>8817-2</td> <td>8817-2FL</td> <td>3/4"</td> </tr> <tr> <td>SL</td> <td>—</td> <td>SL8817-2FL</td> <td>3/4"</td> </tr> <tr> <td>Reflections®</td> <td>—</td> <td>8817-2RL</td> <td>3/4"</td> </tr> </tbody> </table>											Trim	Model Numbers		Latchbolt Throw	Knobs	Levers	Standard	8817-2	8817-2FL	3/4"	SL	—	SL8817-2FL	3/4"	Reflections®	—	8817-2RL	3/4"						
	Trim												Model Numbers			Latchbolt Throw																			
												Knobs	Levers																						
Standard	8817-2	8817-2FL	3/4"																																
SL	—	SL8817-2FL	3/4"																																
Reflections®	—	8817-2RL	3/4"																																
8818-2 CLASSROOM SECURITY INTRUDER LOCK	<ul style="list-style-type: none"> Latchbolt retracted by knob/lever unless outside knob/lever is locked by key. Deadbolt operated by key either side. When deadbolt is projected, outside knob/lever is automatically locked. Key retraction of latchbolt by either side unlocks outside knob/lever. Anti-panic operation. Operating inside knob/lever retracts the latchbolt and deadbolt simultaneously, with outside knob/lever remaining locked. Deadlocking latchbolt. 	50-8820-x219-FIN	2153 (both sides)		2160		208	208	1178L	1178L																									
	<table border="1"> <thead> <tr> <th rowspan="2">Trim</th> <th colspan="2">Model Numbers</th> <th colspan="2">Throw</th> </tr> <tr> <th>Knobs</th> <th>Levers</th> <th>Latchbolt</th> <th>Deadbolt</th> </tr> </thead> <tbody> <tr> <td>Standard</td> <td>8818-2</td> <td>8818-2FL</td> <td>3/4"</td> <td>1"</td> </tr> <tr> <td>SL</td> <td>—</td> <td>SL8818-2FL</td> <td>3/4"</td> <td>1"</td> </tr> <tr> <td>Reflections®</td> <td>—</td> <td>8818-2RL</td> <td>3/4"</td> <td>1"</td> </tr> </tbody> </table>											Trim	Model Numbers		Throw		Knobs	Levers	Latchbolt	Deadbolt	Standard	8818-2	8818-2FL	3/4"	1"	SL	—	SL8818-2FL	3/4"	1"	Reflections®	—	8818-2RL	3/4"	1"
	Trim												Model Numbers		Throw																				
												Knobs	Levers	Latchbolt	Deadbolt																				
Standard	8818-2	8818-2FL	3/4"	1"																															
SL	—	SL8818-2FL	3/4"	1"																															
Reflections®	—	8818-2RL	3/4"	1"																															
8820 HOTEL GUEST LOCK (F15)	<ul style="list-style-type: none"> Latchbolt retracted by key outside, knob/lever inside. Latchbolt retracted by master keys and change keys only when deadbolt is NOT projected. Deadbolt operated by emergency/shut-out or display key outside and thumbturn inside. When deadbolt is projected, the occupancy indicator shows "OCC" (indicating room is occupied). Access from outside can be gained only with an emergency/shut-out or display key. Outside knob/lever rigid at all times. Anti-panic operation. Operating inside knob/lever retracts the latchbolt and deadbolt simultaneously. Deadlocking latchbolt. Master key system must be 7-pin. 	50-8820-x219-FIN	2719		2160		260	211	1178L	1178L																									
	<table border="1"> <thead> <tr> <th rowspan="2">Trim</th> <th colspan="2">Model Numbers</th> <th rowspan="2">Latchbolt Throw</th> </tr> <tr> <th>Knobs</th> <th>Levers</th> </tr> </thead> <tbody> <tr> <td>Standard</td> <td>8820</td> <td>8820FL</td> <td>3/4"</td> </tr> <tr> <td>SL</td> <td>—</td> <td>SL8820FL</td> <td>3/4"</td> </tr> <tr> <td>Reflections®</td> <td>—</td> <td>8820RL</td> <td>3/4"</td> </tr> </tbody> </table>											Trim	Model Numbers		Latchbolt Throw	Knobs	Levers	Standard	8820	8820FL	3/4"	SL	—	SL8820FL	3/4"	Reflections®	—	8820RL	3/4"						
	Trim												Model Numbers			Latchbolt Throw																			
												Knobs	Levers																						
Standard	8820	8820FL	3/4"																																
SL	—	SL8820FL	3/4"																																
Reflections®	—	8820RL	3/4"																																
8822 DORMITORY OR EXIT LOCK (F13)	<ul style="list-style-type: none"> Latchbolt retracted by knob/lever either side. Deadbolt operated by key outside and thumbturn inside. When the deadbolt is projected, outside knob/lever is automatically locked. Anti-panic operation. Operating inside knob/lever retracts the latchbolt and deadbolt simultaneously, automatically unlocking outside knob/lever. 	50-8802-x219-FIN	2153		2160		208	211	1178L	1178L																									
	<table border="1"> <thead> <tr> <th rowspan="2">Trim</th> <th colspan="2">Model Numbers</th> <th colspan="2">Throw</th> </tr> <tr> <th>Knobs</th> <th>Levers</th> <th>Latchbolt</th> <th>Deadbolt</th> </tr> </thead> <tbody> <tr> <td>Standard</td> <td>8822</td> <td>8822FL</td> <td>3/4"</td> <td>1"</td> </tr> <tr> <td>SL</td> <td>—</td> <td>SL8822FL</td> <td>3/4"</td> <td>1"</td> </tr> <tr> <td>Reflections®</td> <td>—</td> <td>8822RL</td> <td>3/4"</td> <td>1"</td> </tr> </tbody> </table>											Trim	Model Numbers		Throw		Knobs	Levers	Latchbolt	Deadbolt	Standard	8822	8822FL	3/4"	1"	SL	—	SL8822FL	3/4"	1"	Reflections®	—	8822RL	3/4"	1"
	Trim												Model Numbers		Throw																				
												Knobs	Levers	Latchbolt	Deadbolt																				
Standard	8822	8822FL	3/4"	1"																															
SL	—	SL8822FL	3/4"	1"																															
Reflections®	—	8822RL	3/4"	1"																															

*Standard cylinder and cam indicated. For optional cylinders, see pages 28-30.



Mechanical Functions

Mechanical Functions (ANSI)	Description / Model Numbers	Armor Front Part Number	*Cylinder	*Cam	Escutcheon Plate Spacing Numbers		Spindles		Illustration Outside Inside																								
					Outside	Inside	Knobs	Levers (Std.)																									
8823 STOREROOM LOCK	<ul style="list-style-type: none"> Latchbolt retracted by knob/lever outside. Deadbolt operated by key outside. When deadbolt is projected, outside knob/lever is automatically locked. No inside knob/lever or cylinder. 	50-8802-x219-FIN	2153	2160	208	—	F1198	F1198																									
	<table border="1"> <thead> <tr> <th rowspan="2">Trim</th> <th colspan="2">Model Numbers</th> <th colspan="2">Throw</th> </tr> <tr> <th>Knobs</th> <th>Levers</th> <th>Latchbolt</th> <th>Deadbolt</th> </tr> </thead> <tbody> <tr> <td>Standard</td> <td>8823</td> <td>8823FL</td> <td>3/4"</td> <td>1"</td> </tr> <tr> <td>SL</td> <td>—</td> <td>SL8823FL</td> <td>3/4"</td> <td>1"</td> </tr> <tr> <td>Reflections®</td> <td>—</td> <td>8823RL</td> <td>3/4"</td> <td>1"</td> </tr> </tbody> </table>									Trim	Model Numbers		Throw		Knobs	Levers	Latchbolt	Deadbolt	Standard	8823	8823FL	3/4"	1"	SL	—	SL8823FL	3/4"	1"	Reflections®	—	8823RL	3/4"	1"
	Trim										Model Numbers		Throw																				
										Knobs	Levers	Latchbolt	Deadbolt																				
Standard	8823	8823FL	3/4"	1"																													
SL	—	SL8823FL	3/4"	1"																													
Reflections®	—	8823RL	3/4"	1"																													
<table border="1"> <thead> <tr> <th rowspan="2">Trim</th> <th colspan="2">Model Numbers</th> <th colspan="2">Latchbolt Throw</th> </tr> <tr> <th>Knobs</th> <th>Levers</th> <th>Latchbolt</th> <th>Throw</th> </tr> </thead> <tbody> <tr> <td>Standard</td> <td>8824</td> <td>8824FL</td> <td>3/4"</td> <td>3/4"</td> </tr> <tr> <td>SL</td> <td>—</td> <td>SL8824FL</td> <td>3/4"</td> <td>3/4"</td> </tr> <tr> <td>Reflections®</td> <td>—</td> <td>8824RL</td> <td>3/4"</td> <td>3/4"</td> </tr> </tbody> </table>	Trim	Model Numbers		Latchbolt Throw		Knobs	Levers	Latchbolt	Throw	Standard	8824	8824FL	3/4"	3/4"	SL	—	SL8824FL	3/4"	3/4"	Reflections®	—	8824RL	3/4"	3/4"									
Trim		Model Numbers		Latchbolt Throw																													
	Knobs	Levers	Latchbolt	Throw																													
Standard	8824	8824FL	3/4"	3/4"																													
SL	—	SL8824FL	3/4"	3/4"																													
Reflections®	—	8824RL	3/4"	3/4"																													
<ul style="list-style-type: none"> For classroom, office, or utility room doors. Latchbolt retracted by knob/lever either side, except when outside knob/lever is locked by key outside. Latchbolt can be held in retracted position by outside cylinder. Inside knob/lever always active. Deadlocking latchbolt. NOT UL listed. 	50-8805-x219-FIN	2153	2160	208	211	1178L	1178L																										
<table border="1"> <thead> <tr> <th rowspan="2">Trim</th> <th colspan="2">Model Numbers</th> <th colspan="2">Latchbolt Throw</th> </tr> <tr> <th>Knobs</th> <th>Levers</th> <th>Latchbolt</th> <th>Throw</th> </tr> </thead> <tbody> <tr> <td>Standard</td> <td>8824</td> <td>8824FL</td> <td>3/4"</td> <td>3/4"</td> </tr> <tr> <td>SL</td> <td>—</td> <td>SL8824FL</td> <td>3/4"</td> <td>3/4"</td> </tr> <tr> <td>Reflections®</td> <td>—</td> <td>8824RL</td> <td>3/4"</td> <td>3/4"</td> </tr> </tbody> </table>									Trim	Model Numbers		Latchbolt Throw		Knobs	Levers	Latchbolt	Throw	Standard	8824	8824FL	3/4"	3/4"	SL	—	SL8824FL	3/4"	3/4"	Reflections®	—	8824RL	3/4"	3/4"	
Trim										Model Numbers		Latchbolt Throw																					
									Knobs	Levers	Latchbolt	Throw																					
Standard	8824	8824FL	3/4"	3/4"																													
SL	—	SL8824FL	3/4"	3/4"																													
Reflections®	—	8824RL	3/4"	3/4"																													
<ul style="list-style-type: none"> Latchbolt retracted by knob/lever either side, except when outside knob/lever is independently locked by stopwork activator or automatically locked when the deadbolt is projected. Latchbolt retracted by master keys and change keys only when deadbolt is NOT projected. Deadbolt operated by emergency/shut-out or display key outside and thumbturn inside. When deadbolt is projected, the occupancy indicator shows "OCC" (indicating room is occupied). Access from outside can be gained only with an emergency/shut-out or display key. Anti-panic operation. Operating inside knob/lever automatically retracts latchbolt and deadbolt with outside knob/lever remaining locked. Deadlocking latchbolt. Master key system must be 7-pin. Function only available with CO, R6, R7, R8 roses or CN escutcheon. 	50-8847-x219-FIN	2719	2160	260	211	1178L	1178L																										
<table border="1"> <thead> <tr> <th rowspan="2">Trim</th> <th colspan="2">Model Numbers</th> <th colspan="2">Throw</th> </tr> <tr> <th>Knobs</th> <th>Levers</th> <th>Latchbolt</th> <th>Deadbolt</th> </tr> </thead> <tbody> <tr> <td>Standard</td> <td>8827</td> <td>8827FL</td> <td>3/4"</td> <td>1"</td> </tr> <tr> <td>SL</td> <td>—</td> <td>SL8827FL</td> <td>3/4"</td> <td>1"</td> </tr> <tr> <td>Reflections®</td> <td>—</td> <td>8827RL</td> <td>3/4"</td> <td>1"</td> </tr> </tbody> </table>									Trim	Model Numbers		Throw		Knobs	Levers	Latchbolt	Deadbolt	Standard	8827	8827FL	3/4"	1"	SL	—	SL8827FL	3/4"	1"	Reflections®	—	8827RL	3/4"	1"	
Trim										Model Numbers		Throw																					
									Knobs	Levers	Latchbolt	Deadbolt																					
Standard	8827	8827FL	3/4"	1"																													
SL	—	SL8827FL	3/4"	1"																													
Reflections®	—	8827RL	3/4"	1"																													
<ul style="list-style-type: none"> For twin communicating or exit doors where one-sided operation is required. Latchbolt retracted by knob/lever inside at all times. No outside operations. Deadlocking latchbolt. 	50-8805-x219-FIN	—	—	—	201	F1198	F1198																										
<table border="1"> <thead> <tr> <th rowspan="2">Trim</th> <th colspan="2">Model Numbers</th> <th colspan="2">Latchbolt Throw</th> </tr> <tr> <th>Knobs</th> <th>Levers</th> <th>Latchbolt</th> <th>Throw</th> </tr> </thead> <tbody> <tr> <td>Standard</td> <td>8828</td> <td>8828FL</td> <td>3/4"</td> <td>3/4"</td> </tr> <tr> <td>SL</td> <td>—</td> <td>SL8828FL</td> <td>3/4"</td> <td>3/4"</td> </tr> <tr> <td>Reflections®</td> <td>—</td> <td>8828RL</td> <td>3/4"</td> <td>3/4"</td> </tr> </tbody> </table>									Trim	Model Numbers		Latchbolt Throw		Knobs	Levers	Latchbolt	Throw	Standard	8828	8828FL	3/4"	3/4"	SL	—	SL8828FL	3/4"	3/4"	Reflections®	—	8828RL	3/4"	3/4"	
Trim										Model Numbers		Latchbolt Throw																					
									Knobs	Levers	Latchbolt	Throw																					
Standard	8828	8828FL	3/4"	3/4"																													
SL	—	SL8828FL	3/4"	3/4"																													
Reflections®	—	8828RL	3/4"	3/4"																													

*Standard cylinder and cam indicated. For optional cylinders, see pages 28-30.



Mechanical Functions

Mechanical Functions (ANSI)	Description / Model Numbers				Armor Front Part Number	*Cylinder	*Cam	Escutcheon Plate Spacing Numbers		Spindles		Illustration Outside Inside	
								Outside	Inside	Knobs	Levers (Std.)		
8829 CLOSET LOCK	<ul style="list-style-type: none"> Latchbolt retracted by knob/lever outside. Outside cylinder locks or unlocks outside knob/lever. No inside knob/lever or cylinder. Deadlocking latchbolt. 				50-8805-x219-FIN	2153	2160	208	—	F1198	F1198		
	Trim	Model Numbers		Latchbolt Throw									
		Knobs	Levers	Latchbolt									Deadbolt
	Standard	8829	8829FL	3/4"									3/4"
SL	—	SL8829FL	3/4"	3/4"									
Reflections®	—	8829RL	3/4"	3/4"									
8830-2 ASYLUM OR INSTITUTIONAL LOCK (F30)	<ul style="list-style-type: none"> Latchbolt retracted by key both sides. Rigid knob/lever both sides for use as pulls only. Deadlocking latchbolt. 				50-8805-x219-FIN	2153 (both sides)	2160	208	208	1173L	1173L		
	Trim	Model Numbers		Throw									
		Knobs	Levers	Latchbolt									Deadbolt
	Standard	8830-2	8830-2FL	3/4"									1"
SL	—	SL8830-2FL	3/4"	1"									
Reflections®	—	8830-2RL	3/4"	1"									
8831 DETENTION LOCK	<ul style="list-style-type: none"> Latchbolt retracted by key outside, knob/lever inside. Latchbolt retracted by master keys and change keys only when deadbolt is NOT projected. Deadbolt operated by emergency (guards) key only outside. Inside knob/lever only opens door when deadbolt is retracted position. Outside knob/lever rigid at all times. Deadlocking latchbolt. Trim mounted with fasteners outside. Furnished standard with TORX® security screws. Master key system must be 7-pin. 				50-8820-x219-FIN	2719	2160	201	208	1178L	1178L		
	Trim	Model Numbers		Throw									
		Knobs	Levers	Latchbolt									Deadbolt
	Standard	8831	—	3/4"									1"
SL	—	SL8831FL	3/4"	1"									
8832 HOTEL/MOTEL LOCK	<ul style="list-style-type: none"> Latchbolt retracted by key outside, knob/lever inside. Latchbolt retracted by master keys and change keys only when deadbolt is NOT projected. Deadbolt operated by emergency/shut-out or display key only outside and thumbturn inside. Outside knob/lever rigid at all times. Anti-panic operation. Operating inside knob/lever retracts the latchbolt and deadbolt simultaneously. Deadlocking latchbolt. Master key system must be 7-pin. 				50-8820-x219-FIN	2719	2160	208	211	1178L	1178L		
	Trim	Model Numbers		Throw									
		Knobs	Levers	Latchbolt									Deadbolt
	Standard	8832	8832FL	3/4"									1"
SL	—	SL8832FL	3/4"	1"									
Reflections®	—	8832RL	3/4"	1"									

*Standard cylinder and cam indicated. For optional cylinders, see pages 28-30.



Mechanical Functions

Mechanical Functions (ANSI)	Description / Model Numbers				Armor Front Part Number	*Cylinder		*Cam		Escutcheon Plate Spacing Numbers		Spindles		Illustration Outside Inside
						Outside	Inside	Outside	Inside	Outside	Inside	Knobs	Levers (Std.)	
						Model Numbers		Latchbolt Throw						
Trim	Knobs	Levers	Latchbolt Throw											
8833 EXIT LOCK	<ul style="list-style-type: none"> Latchbolt retracted by key outside, knob/lever inside. No knob/lever outside. Deadlocking latchbolt. 				50-8805-x219-FIN	2153	2160	250	201	F1198	F1198			
	Standard	8833	8833FL	3/4"										
	Reflections®	—	8833RL	3/4"										
8833-2 ALL-PURPOSE LOCK	<ul style="list-style-type: none"> Latchbolt retracted by key both sides. No knob/lever either side. Deadlocking latchbolt. 				50-8805-x219-FIN	2153 (both sides)	2160	250	250	—	—			
	Model Number		Latchbolt Throw											
	8833-2		3/4"											
8834 ALL PURPOSE LOCK	<ul style="list-style-type: none"> Latchbolt retracted by key outside, knob/lever inside. No knob/lever outside. Latchbolt can be held in retracted position by inside thumbturn cylinder. Deadlocking latchbolt. NOT UL listed. 				50-8805-x219-FIN	2153	S2053S	2160	2130	250	208	F1198	F1198	
	Standard	8834	8834FL	3/4"										
	Reflections®	—	8834RL	3/4"										
8834-2 ALL PURPOSE LOCK	<ul style="list-style-type: none"> For classroom, office, or utility room doors. Latchbolt retracted by key outside, knob/lever inside. No knob/lever outside. Latchbolt can be held in retracted position by inside cylinder. Deadlocking latchbolt. NOT UL listed. 				50-8805-x219-FIN	2153	2153S	2160	2130	250	208	F1198	F1198	
	Standard	8834-2	8834-2FL	3/4"										
	Reflections®	—	8834-2RL	3/4"										

*Standard cylinder and cam indicated. For optional cylinders, see pages 28-30.



Mechanical Functions

Mechanical Functions (ANSI)	Description / Model Numbers					Armor Front Part Number	*Cylinder	*Cam	Escutcheon Plate Spacing Numbers		Spindles		Illustration Outside Inside
									Outside	Inside	Knobs	Levers (Std.)	
8835 EXIT LOCK	<ul style="list-style-type: none"> Latchbolt retracted by knob/lever inside. Deadbolt operated by thumbturn inside. No outside operations. Anti-panic operation. Operating inside knob/lever retracts the latchbolt and deadbolt simultaneously. Deadlocking latchbolt. 					50-8820-x219-FIN	—	—	—	211	F1198	F1198	
	Trim	Model Numbers		Throw									
		Knobs	Levers	Latchbolt	Deadbolt								
	Standard	8835	8835FL	3/4"	1"								
SL	—	SL8835FL	3/4"	1"									
Reflections®	—	8835RL	3/4"	1"									
8840 STOREROOM DEADBOLT	<ul style="list-style-type: none"> Latchbolt retracted by key outside, knob/lever inside. Deadbolt operated by key outside and thumbturn inside. Outside knob/lever rigid at all times. Anti-panic operation. Operating inside knob/lever retracts the latchbolt and deadbolt simultaneously. Deadlocking latchbolt. 					50-8820-x219-FIN	2153	2160	208	211	1178L	1178L	
	Trim	Model Numbers		Throw									
		Knobs	Levers	Latchbolt	Deadbolt								
	Standard	8840	8840FL	3/4"	1"								
SL	—	SL8840FL	3/4"	1"									
Reflections®	—	8840RL	3/4"	1"									
8847 APARTMENT CORRIDOR DOOR LOCK (F20)	<ul style="list-style-type: none"> Latchbolt retracted by knob/lever either side, except when outside knob/lever is locked by stopwork activator. Deadbolt operated by key outside, thumbturn inside. When outside knob/lever is locked, latchbolt and deadbolt are operated by key outside. When deadbolt is projected, outside knob/lever is automatically locked. Anti-panic operation. Operating inside knob/lever automatically retracts latchbolt and deadbolt with outside knob/lever remaining locked. Deadlocking latchbolt. 					50-8847-x219-FIN	2153	2160	208	211	1178L	1178L	
	Trim	Model Numbers		Throw									
		Knobs	Levers	Latchbolt	Deadbolt								
	Standard	8847	8847FL	3/4"	1"								
SL	—	SL8847FL	3/4"	1"									
Reflections®	—	8847RL	3/4"	1"									
8860 ROOM DOOR LOCK (F21)	<ul style="list-style-type: none"> Latchbolt retracted by knob/lever either side. Deadbolt operated by key outside, thumbturn inside. 					50-8802-x219-FIN	2153	2160	208	211	1178L	1178L	
	Trim	Model Numbers		Throw									
		Knobs	Levers	Latchbolt	Deadbolt								
	Standard	8860	8860FL	3/4"	1"								
SL	—	SL8860FL	3/4"	1"									
Reflections®	—	8860RL	3/4"	1"									
8860-2 STORE DOOR LOCK (F14)	<ul style="list-style-type: none"> Latchbolt retracted by knob/lever either side. Deadbolt operated by key both sides. 					50-8802-x219-FIN	2153 (both sides)	2160	208	208	1178L	1178L	
	Trim	Model Numbers		Throw									
		Knobs	Levers	Latchbolt	Deadbolt								
	Standard	8860-2	8860-2FL	3/4"	1"								
SL	—	SL8860-2FL	3/4"	1"									
Reflections®	—	8860-2RL	3/4"	1"									

*Standard cylinder and cam indicated. For optional cylinders, see pages 28-30.



Mechanical Functions

Mechanical Functions (ANSI)	Description / Model Numbers					Armor Front Part Number	*Cylinder	*Cam	Escutcheon Plate Spacing Numbers		Spindles		Illustration Outside Inside
									Outside	Inside	Knobs	Levers (Std.)	
8861 DORMITORY OR STOREROOM LOCK	<ul style="list-style-type: none"> Latchbolt retracted by knob/lever either side. Deadbolt operated by key outside, thumbturn inside. When deadbolt is projected, outside knob/lever is automatically locked. When deadbolt is retracted, outside knob/lever is automatically unlocked. 					50-8802-x219-FIN	2153	2160	208	211	1178L	1178L	
	Trim	Model Numbers		Throw									
		Knobs	Levers	Latchbolt	Deadbolt								
	Standard	8861	8861FL	3/4"	1"								
SL	—	SL8861FL	3/4"	1"									
Reflections®	—	8861RL	3/4"	1"									
8862 PRIVACY, BEDROOM OR BATH LOCK (F22)	<ul style="list-style-type: none"> Latchbolt retracted by knob/lever either side except when outside knob/lever is locked by thumbturn. Operating inside knob/lever retracts the latchbolt, automatically unlocking outside knob/lever. Outside emergency release unlocks outside knob/lever. E203 emergency key supplied. Automatically unlocks when door latches. 					50-8801-x219-FIN	—	—	211	211	1178L	1178L	
	Trim	Model Numbers		Latchbolt Throw									
		Knobs	Levers										
	Standard	8862	8862FL	3/4"									
SL	—	SL8862FL	3/4"										
Reflections®	—	8862RL	3/4"										
8864 BATHROOM LOCK WITH INDICATOR	<ul style="list-style-type: none"> Latchbolt retracted by key outside, knob/lever inside. Occupancy indicator operated by thumbturn inside, key outside. When occupancy indicator shows OCC, key outside WILL operate occupancy indicator and retract latchbolt. Outside knob/lever rigid at all times. Inside knob/lever always active. Deadlocking latchbolt. Function only available with CO, R6, R7, R8 roses or CN escutcheon. 					50-8805-x219-FIN	2153	2160	260	211	1178L	1178L	
	Trim	Model Numbers		Latchbolt Throw									
		Knobs	Levers										
	Standard	8864	8864FL	3/4"									
Reflections®	—	8864RL	3/4"										
8865 BATHROOM LOCK	<ul style="list-style-type: none"> Latchbolt retracted by knob/lever either side except when outside knob/lever is locked by thumbturn either side. Outside thumbturn unlocks outside knob/lever. Automatically unlocks when door latches. Operating inside knob/lever retracts the latchbolt, automatically unlocking outside knob/lever. 					50-8801-x219-FIN	—	—	211	211	1178L	1178L	
	Trim	Model Numbers		Latchbolt Throw									
		Knobs	Levers										
	Standard	8865	8865FL	3/4"									
SL	—	SL8865FL	3/4"										
Reflections®	—	8865RL	3/4"										

*Standard cylinder and cam indicated. For optional cylinders, see pages 28-30.



Mechanical Functions

Mechanical Functions (ANSI)	Description / Model Numbers	Armor Front Part Number	*Cylinder	*Cam	Escutcheon Plate Spacing Numbers		Spindles		Illustration Outside Inside																										
					Outside	Inside	Knobs	Levers (Std.)																											
8867 DORMITORY OR EXIT LOCK (F12)	<ul style="list-style-type: none"> Latchbolt retracted by knob/lever either side, except when outside knob/lever is locked by stopwork activator or automatically locked when deadbolt is projected. Deadbolt operated by key outside, thumbturn inside. When outside knob/lever is locked, operating key outside retracts both latchbolt and deadbolt. Anti-panic operation. Operating inside knob/lever retracts the latchbolt and deadbolt simultaneously, with outside knob/lever remaining locked. 	50-8867-x219-FIN	2153	2160	208	211	1178L	1178L																											
	<table border="1"> <thead> <tr> <th rowspan="2">Trim</th> <th colspan="2">Model Numbers</th> <th colspan="2">Throw</th> </tr> <tr> <th>Knobs</th> <th>Levers</th> <th>Latchbolt</th> <th>Deadbolt</th> </tr> </thead> <tbody> <tr> <td>Standard</td> <td>8867</td> <td>8867FL</td> <td>3/4"</td> <td>1"</td> </tr> <tr> <td>SL</td> <td>—</td> <td>SL8867FL</td> <td>3/4"</td> <td>1"</td> </tr> <tr> <td>Reflections®</td> <td>—</td> <td>8867RL</td> <td>3/4"</td> <td>1"</td> </tr> </tbody> </table>	Trim	Model Numbers		Throw		Knobs	Levers	Latchbolt	Deadbolt	Standard	8867	8867FL	3/4"	1"	SL	—	SL8867FL	3/4"	1"	Reflections®	—	8867RL	3/4"	1"										
	Trim		Model Numbers		Throw																														
		Knobs	Levers	Latchbolt	Deadbolt																														
Standard	8867	8867FL	3/4"	1"																															
SL	—	SL8867FL	3/4"	1"																															
Reflections®	—	8867RL	3/4"	1"																															
Mechanical Functions (ANSI)	Description	Model Numbers		Armor Front Part Number	Illustration Outside Inside	Spindles																													
		Knobs	Levers			Knobs	Levers (Std.)																												
DUMMY TRIM BOTH SIDES	<ul style="list-style-type: none"> Push and pull only. Knob/lever both sides. Both knob/lever non-operational and rigid at all times. Plain rectangular front used with spindle-bar stabilizer. Available in all sectional and escutcheon trim. 	836A prefixed by design symbol (i.e. COR836A, CO x CN836A)	838AFL prefixed by design symbol (i.e. JNR838AFL, JN x CN838AFL)	50-0836-2002-FIN		—	—																												
DUMMY TRIM BOTH SIDES	<ul style="list-style-type: none"> Push or pull only. Knob/lever both sides of inactive leaf of a pair of doors. Both knob/lever non-operational and rigid at all times. Available in all sectional and escutcheon trim. 2815 Strike available upon request. 	836B prefixed by design symbol (i.e. COR836B, CO x CN836B)	838BFL prefixed by design symbol (i.e. JNR838BFL, JN x CN838BFL)	—		—	—																												
DUMMY TRIM ONE SIDE	<ul style="list-style-type: none"> Push or pull only. Knob/lever one side. Knob/lever non-operational and rigid at all times. Available in all sectional and escutcheon trim. 	855 prefixed by design symbol (i.e. COR855)	855FL prefixed by design symbol (i.e. CR x CN855FL)	—		—	—																												
ACTIVE DUMMY TRIM	<ul style="list-style-type: none"> Knob/lever both sides. Push or pull only. Primarily for lever handle trim. Knob/lever active to prevent damage. 8871DT – Armor front acts as strike for latchbolt only functions. 8872DT – Armor front acts as strike for latchbolt x deadbolt functions	<table border="1"> <thead> <tr> <th colspan="3">Model Numbers</th> <th rowspan="2">Armor Front</th> <th rowspan="2">Armor Front Part Numbers</th> <th rowspan="2">Illustration Outside Inside</th> </tr> <tr> <th>Knobs</th> <th>Levers</th> <th>Reflections®</th> </tr> </thead> <tbody> <tr> <td>8870DT</td> <td>8870FLDT</td> <td>8870RLDT</td> <td>Plain</td> <td>50-8870-7020-FIN</td> <td></td> </tr> <tr> <td>8871DT</td> <td>8871FLDT</td> <td>8871RLDT</td> <td>Latchbolt Hole</td> <td>RH = 50-8871-7020-FIN LH = 50-8871-7021-FIN</td> <td></td> </tr> <tr> <td>8872DT</td> <td>8872FLDT</td> <td>8872RLDT</td> <td>Latchbolt/Deadbolt Hole</td> <td>RH = 50-8872-7020-FIN LH = 50-8872-7021-FIN</td> <td></td> </tr> </tbody> </table>		Model Numbers			Armor Front	Armor Front Part Numbers	Illustration Outside Inside	Knobs	Levers	Reflections®	8870DT	8870FLDT	8870RLDT	Plain	50-8870-7020-FIN		8871DT	8871FLDT	8871RLDT	Latchbolt Hole	RH = 50-8871-7020-FIN LH = 50-8871-7021-FIN		8872DT	8872FLDT	8872RLDT	Latchbolt/Deadbolt Hole	RH = 50-8872-7020-FIN LH = 50-8872-7021-FIN						
	Model Numbers			Armor Front	Armor Front Part Numbers	Illustration Outside Inside																													
	Knobs	Levers	Reflections®																																
	8870DT	8870FLDT	8870RLDT	Plain	50-8870-7020-FIN																														
8871DT	8871FLDT	8871RLDT	Latchbolt Hole	RH = 50-8871-7020-FIN LH = 50-8871-7021-FIN																															
8872DT	8872FLDT	8872RLDT	Latchbolt/Deadbolt Hole	RH = 50-8872-7020-FIN LH = 50-8872-7021-FIN																															

Handing must be specified when ordering.

*Standard cylinder and cam indicated. For optional cylinders, see pages 28-30.



Electrified Mortise Locksets

APPLICATIONS

Stair tower doors, office doors, classrooms, interlocks, elevator lobby doors, laboratories, computer rooms, cashier stations, hospital equipment rooms and pharmaceutical storage rooms. For narrow frame profiles, consult factory.

TRIM DESIGNS

8800 electrified mortise locksets are available with all knob, lever, SL and Reflections® trims.

ANSI/BHMA

Certified ANSI/BHMA A156.13, Series 1000, Operational Grade 1 (8800FL with CN escutcheon & SL8800 meet Security Grade 1).



ELECTRICAL SPECIFICATIONS

Fail Safe/Fail Secure
Voltage: 12VDC or 24VDC Regulated
Current Draw:
.25A at 24VDC
.5A at 12VDC
Operating Temp.:
Max. 151°F (66°C)
Min. -31°F (-35°C)

All monitoring switches rated at:
2 Amp @ 30 VDC
3 Amp @ 125 VAC

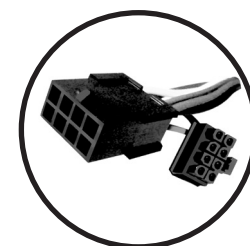
MONITORING OPTIONS

Model Number	Description
REX	Request to Exit - An SPDT switch that monitors activation of the free lever (not available with knob trim). REX is available for all mechanical and electrified functions and can be supplied alone or with either LBM or DBM.
LBM	Latchbolt Monitor - An SPDT switch that monitors full retraction of the latchbolt. LBM is available for all electrified functions and can be supplied alone or with REX.
DBM	Deadbolt Monitor - An SPDT switch that monitors full retraction of the deadbolt. DBM is available for all mechanical and electrified functions with a deadbolt and can be supplied alone or with REX.
ITS	Integrated Total Security - Enhanced security reporting allows facility supervisors to tailor decisions with greater certainty. Monitoring includes Request to Exit (REX), Lock Performance Monitoring (LPM), Concealed Door Position Status (DPS) and Cylinder Monitoring (CX). This monitoring option is available with 8890FL/8891FL or 8890RL/8891RL functions only. Locksets ordered with ITS option must be provided with Yale cylinder. Not available less cylinder. Handing must be specified.

ELECTROLYNX®

Yale® electrified 8800 locks are equipped with ElectroLynx connectors. As a standard feature, these connectors link power from the incoming source to electrified locking products, including hinges, locks, exit devices, magnetic holders and strikes.

Note: Electrified door hardware with ElectroLynx connectors require a compatible number of lead wires attached to the door hinge.





Electrified Mortise Lockset Functions

FAIL SAFE

The following functions are locked when power is on and unlocked when power is off.

Function	# of Cyls	Description	Armor Front Part Number	Cylinders*		Cam(s)	Esc Plate Spacing Number		Spindles	
				Outside	Inside		Outside	Inside	Knobs	Levers
8880	0	<ul style="list-style-type: none"> Power off – outside lever active Power on – outside lever locked Auxiliary latch deadlocks latchbolt Inside lever always free No key override 	50-8805-x219-FIN	N/A	N/A	N/A	201	201	1178L	1178L
8884	0	<ul style="list-style-type: none"> Power off – both levers active Power on – both levers locked Auxiliary latch deadlocks latchbolt No key override 	50-8805-x219-FIN	N/A	N/A	N/A	201	201	1178L	1178L
8890	1	<ul style="list-style-type: none"> Power off – outside lever active Power on – outside lever locked Auxiliary latch deadlocks latchbolt Inside lever always free Mechanical key override by outside when locked 	50-8805-x219-FIN	2153	N/A	2160	208	201	1178L	1178L
8894-2	2	<ul style="list-style-type: none"> Power off – both levers active Power on – both levers locked Auxiliary latch deadlocks latchbolt Mechanical key override by both sides when locked 	50-8805-x219-FIN	2153	2153	2160	208	208	1178L	1178L
8896	1	<ul style="list-style-type: none"> Power off – outside lever active (even when deadbolt thrown) Power on – outside lever locked Auxiliary latch deadlocks latchbolt Deadbolt projected by key outside, thumbturn inside Inside lever always free Mechanical key override by outside when locked 	50-8820-x219-FIN	2153	N/A	2160	208	211	1178L	1178L
8896-2	2	<ul style="list-style-type: none"> Power off – outside lever active (even when deadbolt thrown) Power on – outside lever locked Auxiliary latch deadlocks latchbolt Deadbolt projected by key both sides Inside lever always free Mechanical key override by both sides when locked 	50-8820-x219-FIN	2153	2153	2160	208	208	1178L	1178L
8898	1	<ul style="list-style-type: none"> Power off – both levers active (even when deadbolt thrown) Power on – both levers locked Auxiliary latch deadlocks latchbolt Deadbolt projected by key outside, thumbturn inside Mechanical key override by outside when locked 	50-8820-x219-FIN	2153	N/A	2160	208	211	1178L	1178L
8898-2	2	<ul style="list-style-type: none"> Power off – both levers active (even when deadbolt thrown) Power on – both levers locked Auxiliary latch deadlocks latchbolt Deadbolt projected by key both sides Mechanical key override by both sides when locked 	50-8820-x219-FIN	2153	2153	2160	208	208	1178L	1178L

*Standard cylinder and cam indicated. For optional cylinders, see pages 28-30.



Electrified Mortise Lockset Functions

FAIL SECURE

The following functions are unlocked when the power is on and locked when power is off.

Function	# of Cyls	Description	Armor Front Part Number	Cylinders*		Cam(s)	Esc Plate Spacing Number		Spindles	
				Outside	Inside		Outside	Inside	Knobs	Levers
8881	0	<ul style="list-style-type: none"> Power off – outside lever locked Power on – outside lever active Auxiliary latch deadlocks latchbolt Inside lever always free No key override 	50-8805-x219-FIN	N/A	N/A	N/A	201	201	1178L	1178L
8885	0	<ul style="list-style-type: none"> Power off – both levers locked Power on – both levers active Auxiliary latch deadlocks latchbolt No key override 	50-8805-x219-FIN	N/A	N/A	N/A	201	201	1178L	1178L
8891	1	<ul style="list-style-type: none"> Power off – outside lever locked Power on – outside lever active Auxiliary latch deadlocks latchbolt Inside lever always free Mechanical key override by outside when locked 	50-8805-x219-FIN	2153	N/A	2160	208	201	1178L	1178L
8895-2	2	<ul style="list-style-type: none"> Power off – both levers locked Power on – both levers active Auxiliary latch deadlocks latchbolt Mechanical key override by both sides when locked 	50-8805-x219-FIN	2153	2153	2160	208	208	1178L	1178L
8897	1	<ul style="list-style-type: none"> Power off – outside lever locked Power on – outside lever active (even when deadbolt thrown) Auxiliary latch deadlocks latchbolt Deadbolt projected by key outside, thumbturn inside Inside lever always free Mechanical key override by outside when locked 	50-8820-x219-FIN	2153	N/A	2160	208	211	1178L	1178L
8897-2	2	<ul style="list-style-type: none"> Power off – outside lever locked Power on – outside lever active (even when deadbolt thrown) Auxiliary latch deadlocks latchbolt Deadbolt projected by key both sides Inside lever always free Mechanical key override by both sides when locked 	50-8820-x219-FIN	2153	2153	2160	208	208	1178L	1178L
8899	1	<ul style="list-style-type: none"> Power off – both levers locked Power on – both levers active (even when deadbolt thrown) Auxiliary latch deadlocks latchbolt Deadbolt projected by key outside, thumbturn inside Mechanical key override by outside when locked 	50-8820-x219-FIN	2153	N/A	2160	208	211	1178L	1178L
8899-2	2	<ul style="list-style-type: none"> Power off – both levers locked Power on – both levers active (even when deadbolt thrown) Auxiliary latch deadlocks latchbolt Deadbolt projected by key both sides Mechanical key override by both sides when locked 	50-8820-x219-FIN	2153	2153	2160	208	208	1178L	1178L

*Standard cylinder and cam indicated. For optional cylinders, see pages 28-30.



Electrified Mortise Lockset Accessories

BPS POWER SUPPLIES BY SECURITRON®

Operation

Power supplies are designed to provide reliable filtered and regulated power for long life to a variety of electrified hardware components.

Product Features

- Individual output circuit breakers
- Regulated and filtered fuse protected outputs
- LEDs monitor zone status (voltage or no voltage)
- Slide switches connect or disconnect load from power (Not available on 1 Amp supplies)
- Internal Back-Up battery charging circuit
- Rugged steel enclosure
- Fire alarm interface

Listings

- UL CLASS 2

Applications (use with):

- Fail Safe mortise locks
- Fail Secure mortise locks

Ordering

Ex: BPS-24-4, BPS-12-3

Model	Input	Output	Application*
BPS-24-1	120 VAC	1 Amp @ 24 VDC	2-8800
BPS-24-2	120 VAC	2 Amp @ 24 VDC	5-8800
BPS-24-4	120 VAC	4 Amp @ 24 VDC	11-8800
BPS-12-1	120 VAC	1 Amp @ 12 VDC	1-8800
BPS-12-3	120 VAC	3 Amp @ 12 VDC	3-8800

*Preceding number denotes how many locks can be hardwired to each power supply.

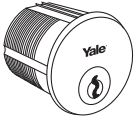
Consult factory for additional power supply applications.

Yale recommends McKinney®, Pemko and Securitron® for power transfer devices and other electronic accessories.

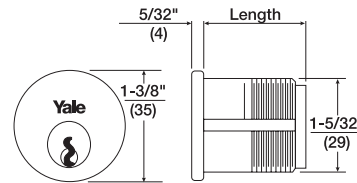


Cylinders

CONVENTIONAL MORTISE CYLINDERS

Illustration	Cylinder Model Number	Application	Cam	Length	
				6-Pin	7-Pin
	2153	Standard cylinder	2160	1-1/8" 1-1/4" 1-3/8" 1-1/2" 1-5/8" 1-3/4"	1-1/4" 1-3/8" 1-1/2" 1-5/8" 1-3/4"
	2153S	For inside operation of 8817-2 and 8834-2 functions only	2130		
	2123	Cylinder for longer lengths	2160		
	2123S	For inside operation of 8817-2 and 8834-2 functions only for longer lengths	2130	1-7/8" thru 3-1/2" in 1/8" increments*	
	2719	For hotel/motel locks 8820, 8827 and 8832	2160	1-3/8"	—

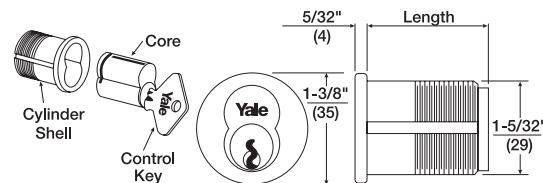
*Contact Technical Product Support for cylinder collar requirements when ordering these cylinders separately. See pages 31-37 for other collar requirements.



INTERCHANGEABLE CORE MORTISE CYLINDERS

Cylinder Model Number	Application	Cam	Length	Pins	Housing Only Model Number	Core Only Model Number
2196	Standard Cylinder	2160	1-1/2", 1-3/4", 2"	6	2221	1210
2197	Standard Cylinder	2160	1-11/16", 2"	7	2213	1220
2196H	For Hotel/Motel Locks 8820, 8827, 8832	2160	1-11/16"	6	2213	1210H
2196S	For inside operations of 8817-2 and 8834-2 functions	2130	1-1/2"	6	2214S	1210
2197S	For inside operations of 8817-2 and 8834-2 functions	2130	1-11/16"	7	2217S	1220

Note: When ordering interchangeable core cylinders or cores only, control keys are not furnished. If control keys are required they must be ordered separately.





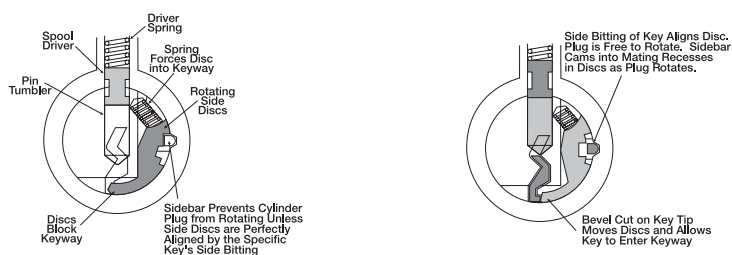
Cylinders

SECURITY CYLINDERS

Security cylinders contain two independent locking mechanisms. The first is a traditional 6- or 7-pin tumbler mechanism with spool drivers for greatly increased picking resistance.

The second is an innovative 5-tumbler rotating disc mechanism with sidebar engagement. The rotating discs are spring loaded and block the bottom of the keyway.

Illustration



SECURITY/HIGH SECURITY MORTISE CYLINDERS

Model Number	Application	Cam	Length	
			6-pin	7-pin
5153/U5153	Standard Cylinder	2160	1-1/8"	1-1/4"
5153S/U5153S	For inside operations of 8817-2 and 8834-2 functions	2130	1-1/4"	
5719/U5719	For Hotel/Motel Locks 8820, 8827, 8832	2160	1-3/8"	

SECURITY INTERCHANGEABLE CORE MORTISE CYLINDERS

Cylinder Model Number	Application	Cam	Length	Pins	Housing Only Model Number	Core Only Model Number
5196	Standard Cylinder	2160	1-1/2"	6	2221	5210
5197	Standard Cylinder	2160	1-11/16"	7	2213	5220
5196H	For Hotel/Motel Locks 8820, 8827, 8832	2160	1-11/16"	6	2213	5210H
5196S	For inside operations of 8817-2 and 8834-2 functions	2130	1-1/2"	6	2214S	5210
5197S	For inside operations of 8817-2 and 8834-2 functions	2130	1-11/16"	7	2217S	5220

Note: When ordering interchangeable core cylinders or cores only, control keys are not furnished. If control keys are required they must be ordered separately.



Cylinders

YALE® KEYMARK®

For those applications requiring protected key control, Yale® KeyMark® cylinders guard against unauthorized key duplication. The Yale KeyMark Security Leg® keyway feature increases resistance against picking and impressioning and can easily retrofit into existing systems. For further details and availability, refer to the separate Yale KeyMark catalog.

Protected Keyway Mortise Cylinders

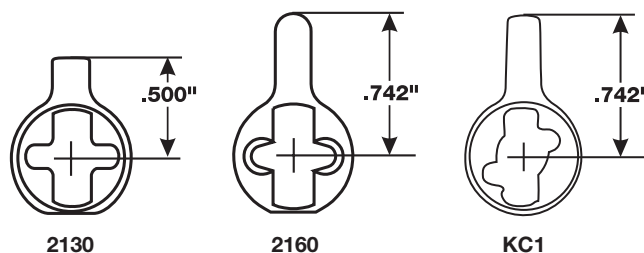
Model Number	Type	Cam	Length	Pins	Housing Only Model Number	Core Only Model Number
K100	Fixed Core Mortise	KC1	1-1/8", 1-1/4" 1-1/2", 1-3/4" 2"	6 or 7	N/A	N/A
K820	Large Format IC Mortise	KC1	1-1/2", 1-3/4" 2" 1-11/16" 1-3/4", 2"	6 7	K860	K800
K620	Small Format IC Mortise	KC1	1-1/4" 1-3/8", 1-3/4"	6 6 or 7	K660	K600
K630	Small Format IC Mortise-Tapered	KC1	1-1/4" 1-3/8"	6 6 or 7	K670	K600

Note: KC2 cam required for inside operation of 8817-2 and 8834-2 functions.

MISCELLANEOUS CYLINDER

Model Number	Application	Cam	Length
S2053S	Thumbturn cylinder, for inside operation of 8834 function only	2130	1" 1-1/8"
S2053	Thumbturn cylinder, for replacement of key operated cylinder.	2160	1" 1-1/8"

CAMS



OTHER MANUFACTURERS' KEYWAY CYLINDERS/CORES

Illustration	Model Number	Type	Cam	Length	Pins	Housing Only Model Number	Core Only Model Number
	A620	Small Format IC Mortise, includes Best® Keyway Core. Available keyed random, master keyed or uncombined. Specify keyway A, B, C, D, E, F, G, H, J, K, L or M.	KC1	1-1/4" 1-3/8", 1-3/4"	6 6 or 7	K660	A600
	2553	Fixed Core Mortise Schlage® "C" Keyway Cylinder. Available 0-bitted or keyed random.	2160	1-1/8"	6	N/A	N/A



Cylinder Collars

Cylinder collars are supplied as standard where required with products supplied with cylinders. Collar size and thickness are supplied to suit the length of the cylinder, the thickness of the door and the trim ordered. (If door thickness is not specified, collars will be supplied to suit 1-3/4" (44mm) door.)

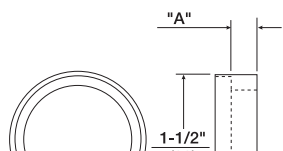
Collar length required must be specified for cylinders and/or housings ordered separately. Refer to individual product sections for collar applications and sizes.

1765 Recessed Cylinder Collar

"A" Dimension: See chart for available sizes. To order, specify "1765.size" i.e. 1765.250.

Material: Brass, Stainless Steel

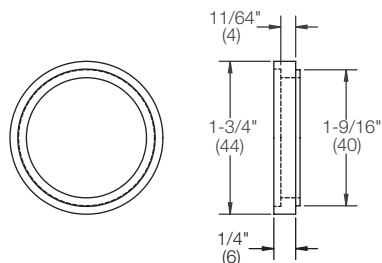
1765 Cylinder Ring



"A" Dimension					
Size	Specify	Size	Specify	Size	Specify
1/16"	.062	11/32"	.344	21/32"	.656
3/32"	.094	3/8"	.375	23/32"	.719
1/8"	.125	13/32"	.406	3/4"	.750
5/32"	.156	7/16"	.437	27/32"	.844
3/16"	.187	15/32"	.469	59/64"	.924
7/32"	.219	1/2"	.500	15/16"	.937
1/4"	.250	17/32"	.531	1-15/32"	1.473
9/32"	.281	9/16"	.563		
5/16"	.312	19/32"	.594		

1766 Step Collar for U5109 and U5153 High Security Cylinders.

Material: Stainless Steel



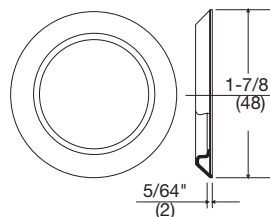
KP3 Wave Washer

(Furnished standard with 1765 collar for Yale® KeyMark® cylinders only).



KP4 Flush Mount Cylinder Collar

Material: Brass, Bronze





Cylinder Collars

FOR USE WITH STANDARD SECTIONAL
AND ALL REFLECTIONS® TRIMS

Door Thickness	Rose or Escutcheon Trim Design	No. of Pins	2153, 2153S, 5153, 2123, 2123S Fixed Core Mortise Cylinders		U5153, U5153S, H.S. Fixed Core Cylinders		2196, 2196S, 5196, 2197, 2197S, 5197 LFIC Cylinders		5719, 2719 Fixed Core Hotel/Motel Cylinders	
			Cylinder Length	Collar Required	Cylinder Length	Collar Required	Cylinder Length	Collar Required	Cylinder Length	Collar Required
1-3/4" (44)	CO, R1, R2, R3, R4, R5, R6, R7, R8, E1, E2, E3, E4	6	1-1/8"	1765.250	1-1/8"	No Collar	1-1/2"	1765.656	1-3/8"	1765.531
		6 or 7	1-1/4"	1765.375	1-1/4"	1766	1-11/16"	1765.844		
		6 or 7	1-3/8"	1765.531	1-3/8"	N/A				
		6 or 7	1-1/2"	1765.656	1-1/2"	N/A				
2" (51)	CO, R1, R2, R3, R4, R5, R6, R7, R8, E1, E2, E3, E4	6	1-1/8"	1765.125	1-1/8"	N/A	1-1/2"	1765.531	1-3/8"	1765.531
		6 or 7	1-1/4"	1765.250	1-1/4"	No Collar	1-11/16"	1765.719		
		6 or 7	1-3/8"	1765.375	1-3/8"	N/A				
		6 or 7	1-1/2"	1765.531	1-1/2"	N/A				
2-1/4" (57)	CO, R1, R2, R3, R4, R5, R6, R7, R8, E1, E2, E3, E4	6	1-1/8"	KP4	1-1/8"	No Collar	1-1/2"	1765.375	1-3/8"	1765.250
		6 or 7	1-1/4"	1765.125	1-1/4"	No Collar	1-11/16"	1765.563		
		6 or 7	1-3/8"	1765.250	1-3/8"	N/A				
		6 or 7	1-1/2"	1765.375	1-1/2"	N/A				
2-1/2" (64)	CO, R1, R2, R3, R4, R5, R6, R7, R8, E1, E2, E3, E4	6	1-1/8"	N/A	1-1/8"	N/A	1-1/2"	1765.250	1-3/8"	1765.125
		6 or 7	1-1/4"	KP4	1-1/4"	No Collar	1-11/16"	1765.469		
		6 or 7	1-3/8"	1765.125	1-3/8"	N/A				
		6 or 7	1-1/2"	1765.250	1-1/2"	N/A				
2-3/4" (70)	CO, R1, R2, R3, R4, R5, R6, R7, R8, E1, E2, E3, E4	6	1-1/8"	N/A	1-1/8"	N/A	1-1/2"	1765.125	1-3/8"	KP4
		6 or 7	1-1/4"	N/A	1-1/4"	N/A	1-11/16"	1765.344		
		6 or 7	1-3/8"	KP4	1-3/8"	N/A				
		6 or 7	1-1/2"	1765.125	1-1/2"	N/A				
3" (76)	CO, R1, R2, R3, R4, R5, R6, R7, R8, E1, E2, E3, E4	6	1-1/8"	N/A	1-1/8"	N/A	1-1/2"	KP4	1-3/8"	N/A
		6 or 7	1-1/4"	N/A	1-1/4"	N/A	1-11/16"	1765.187		
		6 or 7	1-3/8"	N/A	1-3/8"	N/A				
		6 or 7	1-1/2"	KP4	1-1/2"	N/A				
3-1/4" (83)	CO, R1, R2, R3, R4, R5, R6, R7, R8, E1, E2, E3, E4	6	1-1/8"	N/A	1-1/8"	N/A	1-1/2"	N/A	1-3/8"	N/A
		6 or 7	1-1/4"	N/A	1-1/4"	N/A	1-11/16"	1765.062		
		6 or 7	1-3/8"	N/A	1-3/8"	N/A				
		6 or 7	1-1/2"	N/A	1-1/2"	N/A				

N/A = Application Not Available

Note: R1, R2, E1 and E2 discontinued. Information for reference only.



Cylinder Collars

FOR USE WITH STANDARD SECTIONAL
AND ALL REFLECTIONS® TRIMS

Door Thickness	Rose or Escutcheon Trim Design	No. of Pins	5196H, 2196H Hotel/Motel LFIC Cylinders		K100 Yale® KeyMark® Fixed Core Cylinders		K820, K860 Yale® KeyMark® LFIC Cylinders		K620, K630 K660, K670, A620, A630 Yale® KeyMark® and Best® Keyway SFIC Cylinders	
			Cylinder Length	Collar Required	Cylinder Length	Collar Required	Cylinder Length	Collar Required	Cylinder Length	Collar Required
1-3/4" (44)	CO, R1, R2, R3, R4, R5, R6, R7, R8, E1, E2, E3, E4	6	1-11/16"	1765.844	1-1/8"	1765.312	1-1/2"	1765.656	1-1/4"	1765.375
		6 or 7			1-1/4"	1765.375	1-11/16"	1765.844	1-3/8"	1765.563
		6 or 7			1-1/2"	1765.656				
		6 or 7								
2" (51)	CO, R1, R2, R3, R4, R5, R6, R7, R8, E1, E2, E3, E4	6	1-11/16"	1765.719	1-1/8"	1765.187	1-1/2"	1765.563	1-1/4"	1765.281
		6 or 7			1-1/4"	1765.281	1-11/16"	1765.750	1-3/8"	1765.469
		6 or 7			1-1/2"	1765.563				
		6 or 7								
2-1/4" (57)	CO, R1, R2, R3, R4, R5, R6, R7, R8, E1, E2, E3, E4	6	1-11/16"	1765.563	1-1/8"	1765.062	1-1/2"	1765.406	1-1/4"	1765.125
		6 or 7			1-1/4"	1765.125	1-11/16"	1765.594	1-3/8"	1765.312
		6 or 7			1-1/2"	1765.406				
		6 or 7								
2-1/2" (64)	CO, R1, R2, R3, R4, R5, R6, R7, R8, E1, E2, E3, E4	6	1-11/16"	1765.469	1-1/8"	N/A	1-1/2"	1765.281	1-1/4"	1765.062
		6 or 7			1-1/4"	1765.062	1-11/16"	1765.500	1-3/8"	1765.187
		6 or 7			1-1/2"	1765.281				
		6 or 7								
2-3/4" (70)	CO, R1, R2, R3, R4, R5, R6, R7, R8, E1, E2, E3, E4	6	1-11/16"	1765.344	1-1/8"	N/A	1-1/2"	1765.187	1-1/4"	N/A
		6 or 7			1-1/4"	N/A	1-11/16"	1765.375	1-3/8"	1765.062
		6 or 7			1-1/2"	1765.187				
		6 or 7								
3" (76)	CO, R1, R2, R3, R4, R5, R6, R7, R8, E1, E2, E3, E4	6	1-11/16"	1765.187	1-1/8"	N/A	1-1/2"	1765.062	1-1/4"	N/A
		6 or 7			1-1/4"	N/A	1-11/16"	1765.219	1-3/8"	N/A
		6 or 7			1-1/2"	1765.062				
		6 or 7								
3-1/4" (83)	CO, R1, R2, R3, R4, R5, R6, R7, R8, E1, E2, E3, E4	6	1-11/16"	1765.062	1-1/8"	N/A	1-1/2"	N/A	1-1/4"	N/A
		6 or 7			1-1/4"	N/A	1-11/16"	1765.062	1-3/8"	N/A
		6 or 7			1-1/2"	N/A				
		6 or 7								

N/A = Application Not Available

Note: R1, R2, E1 and E2 discontinued. Information for reference only.



Cylinder Collars

FOR USE WITH STANDARD ESCUTCHEON TRIM

Door Thickness	Escutcheon Trim Design	No. of Pins	2153, 2153S, 5153, 2123, 2123S Fixed Core Mortise Cylinders	U5153, U5153S, H.S. Fixed Core Cylinders	2196, 2196S, 5196, 2197, 2197S, 5197 LFIC Cylinders	5719, 2719 Fixed Core Hotel/Motel Cylinders	5196H, 2196H Hotel/Motel LFIC Cylinders	K100 Yale® KeyMark® Fixed Core Cylinders	K820, K860 Yale® KeyMark® LFIC Cylinders	K620, K630 K660, K670, A620, A630 Yale® KeyMark® and Best® Keyway and Best® Keyway SFIC Cylinders	
			Cylinder Length	Cylinder Length	Cylinder Length	Cylinder Length	Cylinder Length	Cylinder Length	Cylinder Length	Cylinder Length	
			Required	Required	Required	Required	Required	Required	Required	Required	
			Collar	Collar	Collar	Collar	Collar	Collar	Collar	Collar	
			Length	Length	Length	Length	Length	Length	Length	Length	
1-3/4" (44)	Copenhagen (R)	6	1-1/8"	1-1/8"	No Collar	1-3/8"	1-11/16"	1-1/8"	1-1/2"	1-1/4"	
		6 or 7	1-1/4"	1-1/4"	No Collar	1-11/16"	1-11/16"	1-1/4"	1-11/16"	1-3/8"	
		6 or 7	1-3/8"	1-3/8"	No Collar			1-1/2"			
	Camden (CN)	6	1-1/8"	No Collar	1-1/8"	1-1/2"	1-3/8"	1-11/16"	No Collar	1-1/2"	No Collar
		6 or 7	1-1/4"	No Collar	1-1/4"	1-11/16"	1-3/8"	1-11/16"	1-1/4"	1-11/16"	1-3/8"
		6 or 7	1-3/8"	1-3/8"	N/A				1-1/2"		
	SL	6	1-1/8"	1-1/8"	1-1/8"	1-1/2"	1-3/8"	1-11/16"	1-1/8"	1-1/2"	1-1/4"
		6 or 7	1-1/4"	1-1/4"	No Collar	1-11/16"	1-3/8"	1-11/16"	1-1/4"	1-11/16"	1-3/8"
		6 or 7	1-3/8"	1-3/8"	N/A				1-1/2"		
	Easton (OE)	6	1-1/8"	1-1/8"	1-1/8"	1-1/2"	1-3/8"	1-11/16"	1-1/8"	1-1/2"	1-1/4"
		6 or 7	1-1/4"	1-1/4"	No Collar	1-11/16"	1-3/8"	1-11/16"	1-1/4"	1-11/16"	1-3/8"
		6 or 7	1-3/8"	1-3/8"	N/A				1-1/2"		
Lenoir (LN)	6	1-1/8"	1-1/8"	1-1/8"	1-1/2"	1-3/8"	1-11/16"	1-1/8"	1-1/2"	1-1/4"	
	6 or 7	1-1/4"	1-1/4"	No Collar	1-11/16"	1-3/8"	1-11/16"	1-1/4"	1-11/16"	1-3/8"	
	6 or 7	1-3/8"	1-3/8"	N/A				1-1/2"			
2" (51)	Copenhagen (R)	6	1-1/8"	1-1/8"	N/A	1-3/8"	1-11/16"	1-1/8"	1-1/2"	1-1/4"	
		6 or 7	1-1/4"	1-1/4"	No Collar	1-11/16"	1-3/8"	1-1/4"	1-11/16"	1-3/8"	
		6 or 7	1-3/8"	1-3/8"	N/A				1-1/2"		
	Camden (CN)	6	1-1/8"	N/A	1-1/8"	1-1/2"	1-3/8"	1-11/16"	N/A	1-1/2"	No Collar
		6 or 7	1-1/4"	No Collar	1-1/4"	1-11/16"	1-3/8"	1-11/16"	1-1/4"	1-11/16"	1-3/8"
		6 or 7	1-3/8"	N/A	1-3/8"				1-1/2"		
	SL	6	1-1/8"	1-1/8"	1-1/8"	1-1/2"	1-3/8"	1-11/16"	1-1/8"	1-1/2"	1-1/4"
		6 or 7	1-1/4"	1-1/4"	No Collar	1-11/16"	1-3/8"	1-11/16"	1-1/4"	1-11/16"	1-3/8"
		6 or 7	1-3/8"	1-3/8"	N/A				1-1/2"		
	Easton (OE)	6	1-1/8"	N/A	1-1/8"	1-1/2"	1-3/8"	1-11/16"	1-1/8"	1-1/2"	1-1/4"
		6 or 7	1-1/4"	1-1/4"	No Collar	1-11/16"	1-3/8"	1-11/16"	1-1/4"	1-11/16"	1-3/8"
		6 or 7	1-3/8"	1-3/8"	N/A				1-1/2"		
Lenoir (LN)	6	1-1/8"	No Collar	1-1/8"	1-1/2"	1-3/8"	1-11/16"	No Collar	1-1/2"	No Collar	
	6 or 7	1-1/4"	1-1/4"	N/A	1-11/16"	1-3/8"	1-11/16"	1-1/4"	1-11/16"	1-3/8"	
	6 or 7	1-3/8"	1-3/8"	N/A				1-1/2"			

*Single Cylinder Only
 N/A = Application Not Available
 Note: Copenhagen, Easton and Lenoir escutcheons discontinued. Information for reference only.



Cylinder Collars

FOR USE WITH STANDARD ESCUTCHEON TRIM

Door Thickness	Escutcheon Trim Design	No. of Pins	2153, 2153S, 5153, 2123, 2123S Fixed Core Mortise Cylinders	U5153, U5153S, H.S. Fixed Core Cylinders	2196, 2196S, 5196, 2197, 2197S, 5197 LFIC Cylinders	5719, 2719 Fixed Core Hotel/Motel Cylinders	5196H, 2196H Hotel/Motel LFIC Cylinders	K100 Yale® KeyMark® Fixed Core Cylinders	K820, K860 Yale® KeyMark® LFIC Cylinders	K620, K630 K660, K670, A620, A630 Yale® KeyMark® and Best® Keyway SFIC Cylinders				
			Cylinder Length	Collar Length	Required	Cylinder Length	Collar Length	Required	Cylinder Length	Collar Length	Required			
2-1/4" (57)	Copenhagen (R)	6	1-1/8"	N/A	1-1/2"	1765.344	1-11/16"	1765.500	1-1/8"	1765.375	1-1/4"	1765.094		
		6 or 7	1-1/4"	1765.062	1-1/4"	1765.500			1-1/4"	1765.094	1-11/16"	1765.531	1-3/8"	1765.250
		6 or 7	1-3/8"	1765.187	1-3/8"				1-1/2"	1765.375				
		6 or 7	1-1/2"	1765.344	1-1/2"	N/A								
	Camden (CN)	6	1-1/8"	N/A	1-1/2"	N/A								
		6 or 7	1-1/4"	N/A	1-11/16"	1765.156								
		6 or 7	1-3/8"	No Collar	1-3/8"	N/A	No Collar							
		6 or 7	1-1/2"	N/A	1-1/2"	N/A								
	SL	6	1-1/8"	N/A	1-1/2"	1765.219	1-3/8"	1765.062	1-11/16"	1765.406	1-1/2"	1765.250		
		6 or 7	1-1/4"	N/A	1-1/4"	1765.406								
		6 or 7	1-3/8"	1765.062	1-3/8"	N/A								
		6 or 7	1-1/2"	1765.219	1-1/2"	N/A								
Easton (OE)	6	1-1/8"	N/A	1-1/2"	1765.219	1-3/8"	1765.062	1-11/16"	1765.406	1-1/2"	1765.250			
	6 or 7	1-1/4"	N/A	1-11/16"	1765.406									
	6 or 7	1-3/8"	1765.062	1-3/8"	N/A									
	6 or 7	1-1/2"	1765.219	1-1/2"	N/A									
Lenoir* (LN)	5	1-1/8"	N/A	1-1/2"	1765.219	1-3/8"	No Collar	1-11/16"	1765.406	1-1/2"	No Collar	1-1/4"	1765.062	
	6	1-1/4"	No Collar	1-1/4"	No Collar	1765.406								
	6 or 7	1-3/8"	1765.094	1-3/8"	No Collar									
	6 or 7	1-1/2"	1765.219	1-1/2"	No Collar									
Copenhagen (R)	6	1-1/8"	N/A	1-1/2"	1765.187	1-3/8"	1765.062	1-11/16"	1765.375	1-1/2"	1765.219			
	6 or 7	1-1/4"	N/A	1-11/16"	1765.375									
	6 or 7	1-3/8"	1765.062	1-3/8"	N/A									
	6 or 7	1-1/2"	1765.187	1-1/2"	N/A									
Camden (CN)	6	1-1/8"	N/A	1-1/2"	No Collar	1-3/8"	N/A	1-11/16"	1765.062	1-1/2"	No Collar	1-1/4"	N/A	
	6 or 7	1-1/4"	N/A	1-11/16"	1765.062									
	6 or 7	1-3/8"	N/A	1-3/8"	N/A									
	6 or 7	1-1/2"	No Collar	1-1/2"	N/A									
SL	6	1-1/8"	N/A	1-1/2"	1765.062	1-1/2"	N/A	1-11/16"	1765.250	1-1/2"	1765.125			
	6 or 7	1-1/4"	N/A	1-11/16"	1765.250									
	6 or 7	1-3/8"	N/A	1-3/8"	N/A									
	6 or 7	1-1/2"	1765.062	1-1/2"	N/A									
Easton (OE)	6	1-1/8"	N/A	1-1/2"	1765.062	1-3/8"	N/A	1-11/16"	1765.250	1-1/2"	1765.125			
	6 or 7	1-1/4"	N/A	1-11/16"	1765.250									
	6 or 7	1-3/8"	N/A	1-3/8"	N/A									
	6 or 7	1-1/2"	1765.062	1-1/2"	N/A									
Lenoir (LN)	6	1-1/8"	N/A	1-1/2"	1765.094	1-3/8"	N/A	1-11/16"	1765.312	1-1/2"	No Collar	1-1/4"	No Collar	
	6 or 7	1-1/4"	N/A	1-11/16"	1765.312									
	6 or 7	1-3/8"	No Collar	1-3/8"	N/A									
	6 or 7	1-1/2"	1765.094	1-1/2"	N/A									

*Single Cylinder Only
 N/A = Application Not Available
 Note: Copenhagen, Easton and Lenoir escutcheons discontinued. Information for reference only.



Cylinder Collars

FOR USE WITH STANDARD ESCUTCHEON TRIM

Door Thickness	Escutcheon Trim Design	No. of Pins	2153, 2153S, 5153, 2123, 2123S Fixed Core Mortise Cylinders		U5153, U5153S, H.S. Fixed Core Cylinders		2196, 2196S, 5196, 2197, 2197S, 5197 LFC Cylinders		5719, 2719 Fixed Core Hotel/Motel Cylinders		5196H, 2196H Hotel/Motel LFC Cylinders		K100 Yale® KeyMark® Fixed Core Cylinders		K820, K860 Yale® KeyMark® LFC Cylinders		K620, K630 K660, K670, A620, A630 Yale® KeyMark® and Best® Keyway SFIC Cylinders	
			Cylinder Length	Collar Required	Cylinder Length	Collar Required	Cylinder Length	Collar Required	Cylinder Length	Collar Required	Cylinder Length	Collar Required	Cylinder Length	Collar Required	Cylinder Length	Collar Required	Cylinder Length	Collar Required
2-3/4" (70)	Copenhagen (R)	6	1-1/8"	N/A	1-1/2"	1765.062	1-3/8"	N/A	1-11/16"	1765.250	1-1/2"	1765.062	1-1/4"	N/A	1-1/2"	1765.062	1-1/4"	N/A
		6 or 7	1-1/4"	N/A	1-11/16"	1765.250	1-3/8"	N/A	1-11/16"	1765.250	1-1/2"	1765.062	1-1/4"	N/A	1-1/2"	1765.062	1-1/4"	N/A
		6 or 7	1-3/8"	N/A	1-11/16"	1765.250	1-3/8"	N/A	1-11/16"	1765.250	1-1/2"	1765.062	1-1/4"	N/A	1-1/2"	1765.062	1-1/4"	N/A
	Camden (CN)	6	1-1/8"	N/A	1-1/2"	N/A	1-3/8"	N/A	No Collar		1-1/2"	N/A	No Collar		1-1/2"	N/A	1-1/4"	N/A
		6 or 7	1-1/4"	N/A	1-11/16"	1765.094	1-3/8"	N/A	1-11/16"	1765.094	1-1/2"	N/A	1-11/16"	No Collar	1-1/2"	N/A	1-1/4"	N/A
		6 or 7	1-3/8"	N/A	1-11/16"	1765.094	1-3/8"	N/A	1-11/16"	1765.094	1-1/2"	N/A	1-11/16"	No Collar	1-1/2"	N/A	1-1/4"	N/A
	SL	6	1-1/8"	N/A	1-1/2"	N/A	1-3/8"	N/A	1-1/2"	N/A	1-3/8"	N/A	1-11/16"	No Collar	1-1/2"	N/A	1-1/4"	N/A
		6 or 7	1-1/4"	N/A	1-11/16"	1765.094	1-3/8"	N/A	1-11/16"	1765.094	1-1/2"	N/A	1-11/16"	No Collar	1-1/2"	N/A	1-1/4"	N/A
		6 or 7	1-3/8"	N/A	1-11/16"	1765.094	1-3/8"	N/A	1-11/16"	1765.094	1-1/2"	N/A	1-11/16"	No Collar	1-1/2"	N/A	1-1/4"	N/A
	Easton (CE)	6	1-1/8"	N/A	1-1/2"	N/A	1-3/8"	N/A	1-1/2"	N/A	1-3/8"	N/A	1-11/16"	No Collar	1-1/2"	N/A	1-1/4"	N/A
		6 or 7	1-1/4"	N/A	1-11/16"	1765.094	1-3/8"	N/A	1-11/16"	1765.094	1-1/2"	N/A	1-11/16"	No Collar	1-1/2"	N/A	1-1/4"	N/A
		6 or 7	1-3/8"	N/A	1-11/16"	1765.094	1-3/8"	N/A	1-11/16"	1765.094	1-1/2"	N/A	1-11/16"	No Collar	1-1/2"	N/A	1-1/4"	N/A
Lenoir® (LN)	6 or 7	1-1/2"	1765.062	1-1/2"	N/A	1-3/8"	N/A	1-1/2"	N/A	1-3/8"	N/A	1-11/16"	No Collar	1-1/2"	N/A	1-1/4"	N/A	
	6	1-1/8"	N/A	1-1/2"	N/A	1-3/8"	N/A	1-1/2"	N/A	1-3/8"	N/A	1-11/16"	No Collar	1-1/2"	N/A	1-1/4"	N/A	
	6 or 7	1-1/4"	N/A	1-11/16"	1765.062	1-3/8"	N/A	1-11/16"	1765.062	1-1/2"	N/A	1-11/16"	No Collar	1-1/2"	N/A	1-1/4"	N/A	
Copenhagen (R)	6 or 7	1-3/8"	N/A	1-11/16"	1765.156	1-3/8"	N/A	1-11/16"	1765.156	1-3/8"	N/A	1-11/16"	No Collar	1-1/2"	N/A	1-1/4"	N/A	
	6 or 7	1-1/2"	N/A	1-11/16"	1765.156	1-3/8"	N/A	1-11/16"	1765.156	1-3/8"	N/A	1-11/16"	No Collar	1-1/2"	N/A	1-1/4"	N/A	
	6 or 7	1-5/8"	1765.062	1-5/8"	N/A	1-3/4"	N/A	1-1/2"	N/A	1-3/8"	N/A	1-11/16"	No Collar	1-1/2"	N/A	1-1/4"	N/A	
	6 or 7	1-3/4"	N/A	1-11/16"	1765.062	1-3/4"	N/A	1-1/2"	N/A	1-3/8"	N/A	1-11/16"	No Collar	1-1/2"	N/A	1-1/4"	N/A	
	6	1-1/8"	N/A	1-1/2"	N/A	1-3/4"	N/A	1-1/2"	N/A	1-3/8"	N/A	1-11/16"	No Collar	1-1/2"	N/A	1-1/4"	N/A	
	6 or 7	1-1/4"	N/A	1-11/16"	1765.094	1-3/8"	N/A	1-11/16"	1765.094	1-3/8"	N/A	1-11/16"	No Collar	1-1/2"	N/A	1-1/4"	N/A	
Camden (CN)	6 or 7	1-1/4"	N/A	1-11/16"	1765.094	1-3/8"	N/A	1-11/16"	1765.094	1-3/8"	N/A	1-11/16"	No Collar	1-1/2"	N/A	1-1/4"	N/A	
	6 or 7	1-3/8"	N/A	1-11/16"	1765.094	1-3/8"	N/A	1-11/16"	1765.094	1-3/8"	N/A	1-11/16"	No Collar	1-1/2"	N/A	1-1/4"	N/A	
	6 or 7	1-1/2"	N/A	1-11/16"	1765.062	1-1/2"	N/A	1-11/16"	1765.062	1-1/2"	N/A	1-11/16"	No Collar	1-1/2"	N/A	1-1/4"	N/A	
	6 or 7	1-5/8"	1765.062	1-5/8"	N/A	1-3/4"	N/A	1-1/2"	N/A	1-3/8"	N/A	1-11/16"	No Collar	1-1/2"	N/A	1-1/4"	N/A	
	6 or 7	1-3/4"	N/A	1-11/16"	1765.062	1-3/4"	N/A	1-1/2"	N/A	1-3/8"	N/A	1-11/16"	No Collar	1-1/2"	N/A	1-1/4"	N/A	
	6	1-1/8"	N/A	1-1/2"	N/A	1-3/4"	N/A	1-1/2"	N/A	1-3/8"	N/A	1-11/16"	No Collar	1-1/2"	N/A	1-1/4"	N/A	
3" (76)	SL	6	1-1/8"	N/A	1-1/2"	N/A	1-3/8"	N/A	1-1/2"	N/A	1-3/8"	N/A	1-11/16"	No Collar	1-1/2"	N/A	1-1/4"	N/A
		6 or 7	1-1/4"	N/A	1-11/16"	1765.062	1-3/8"	N/A	1-11/16"	1765.062	1-1/2"	N/A	1-11/16"	No Collar	1-1/2"	N/A	1-1/4"	N/A
		6 or 7	1-3/8"	N/A	1-11/16"	1765.062	1-3/8"	N/A	1-11/16"	1765.062	1-1/2"	N/A	1-11/16"	No Collar	1-1/2"	N/A	1-1/4"	N/A
	Easton (CE)	6	1-1/8"	N/A	1-1/2"	N/A	1-3/8"	N/A	1-1/2"	N/A	1-3/8"	N/A	1-11/16"	No Collar	1-1/2"	N/A	1-1/4"	N/A
		6 or 7	1-1/4"	N/A	1-11/16"	1765.062	1-3/8"	N/A	1-11/16"	1765.062	1-1/2"	N/A	1-11/16"	No Collar	1-1/2"	N/A	1-1/4"	N/A
		6 or 7	1-3/8"	N/A	1-11/16"	1765.062	1-3/8"	N/A	1-11/16"	1765.062	1-1/2"	N/A	1-11/16"	No Collar	1-1/2"	N/A	1-1/4"	N/A
Lenoir (LN)	6	1-1/8"	N/A	1-1/2"	N/A	1-3/8"	N/A	1-1/2"	N/A	1-3/8"	N/A	1-11/16"	No Collar	1-1/2"	N/A	1-1/4"	N/A	
	6 or 7	1-1/4"	N/A	1-11/16"	1765.062	1-3/8"	N/A	1-11/16"	1765.062	1-1/2"	N/A	1-11/16"	No Collar	1-1/2"	N/A	1-1/4"	N/A	
	6 or 7	1-3/8"	N/A	1-11/16"	1765.062	1-3/8"	N/A	1-11/16"	1765.062	1-1/2"	N/A	1-11/16"	No Collar	1-1/2"	N/A	1-1/4"	N/A	

*Single Cylinder Only
 N/A = Application Not Available
 Note: Copenhagen, Easton and Lenoir escutcheons discontinued. Information for reference only.



Cylinder Collars

FOR USE WITH STANDARD ESCUTCHEON TRIM

Door Thickness	Escutcheon Trim Design	No. of Pins	2153, 2153S, 5153, 2123, 2123S Fixed Core Mortise Cylinders		U5153, U5153S, H.S. Fixed Core Cylinders		2196, 2196S, 5196, 2197, 2197S, 5197 LFIC Cylinders		5719, 2719 Fixed Core Hotel/Motel Cylinders		5196H, 2196H Hotel/Motel LFIC Cylinders		K100 Yale® KeyMark® Fixed Core Cylinders		K820, K860 Yale® KeyMark® LFIC Cylinders		K620, K630 K660, K670, A620, A630 Yale® KeyMark® and Best® Keyway SFC Cylinders				
			Cylinder Length	Collar Required	Cylinder Length	Collar Required	Cylinder Length	Collar Required	Cylinder Length	Collar Required	Cylinder Length	Collar Required	Cylinder Length	Collar Required	Cylinder Length	Collar Required	Cylinder Length	Collar Required	Cylinder Length	Collar Required	
3-1/4" (B3)	Copenhagen (R)	6	1-1/8"	N/A	1-1/2"	N/A	1-1/2"	N/A	1-11/16"	1765.062	1-1/8"	1-1/8"	1-1/2"	1-1/4"	1-1/2"	1-1/2"	1-1/4"	1-1/4"	1-1/4"		
		6 or 7	1-1/4"	N/A	1-1/4"	N/A	1-11/16"	N/A	1-3/8"	N/A	1-1/4"	1-1/4"	1-11/16"	1-1/4"	1-11/16"	1-1/2"	1-3/8"	1-3/8"	1-3/8"		
		6 or 7	1-3/8"	N/A	1-1/2"	N/A	1-1/2"	N/A	1-1/2"	N/A	1-1/2"	1-1/2"	1-1/2"	1-1/2"	1-1/2"	1-1/2"	1-1/2"	1-1/2"	1-1/2"	1-1/2"	
		6 or 7	1-5/8"	N/A	1-5/8"	N/A	1-5/8"	N/A	1-5/8"	N/A	1-5/8"	1-5/8"	1-5/8"	1-5/8"	1-5/8"	1-5/8"	1-5/8"	1-5/8"	1-5/8"	1-5/8"	1-5/8"
		6 or 7	1-3/4"	1765.062	1-3/4"	N/A	1-3/4"	N/A	1-3/4"	N/A	1-3/8"	1-3/8"	1-3/8"	1-3/8"	1-3/8"	1-3/8"	1-3/8"	1-3/8"	1-3/8"	1-3/8"	1-3/8"
		6 or 7	1-7/8"	1765.125	1-7/8"	N/A	1-7/8"	N/A	1-7/8"	N/A	1-3/8"	1-3/8"	1-3/8"	1-3/8"	1-3/8"	1-3/8"	1-3/8"	1-3/8"	1-3/8"	1-3/8"	1-3/8"
	Camden (CN)	6	1-1/8"	N/A	1-1/8"	N/A	1-1/2"	N/A	1-1/2"	N/A	1-3/8"	1-3/8"	1-11/16"	1-11/16"	1-1/8"	1-1/8"	1-1/2"	1-1/4"	1-1/4"	1-1/4"	
		6 or 7	1-1/4"	N/A	1-1/4"	N/A	1-1/4"	N/A	1-11/16"	N/A	1-3/8"	1-3/8"	1-11/16"	1-11/16"	1-1/4"	1-1/4"	1-11/16"	1-1/4"	1-3/8"	1-3/8"	
		6 or 7	1-3/8"	N/A	1-3/8"	N/A	1-3/8"	N/A	1-3/8"	N/A	1-3/8"	1-3/8"	1-3/8"	1-3/8"	1-1/2"	1-1/2"	1-1/2"	1-1/2"	1-1/2"	1-1/2"	
		6 or 7	1-1/2"	N/A	1-1/2"	N/A	1-1/2"	N/A	1-1/2"	N/A	1-1/2"	1-1/2"	1-1/2"	1-1/2"	1-1/2"	1-1/2"	1-1/2"	1-1/2"	1-1/2"	1-1/2"	1-1/2"
		6 or 7	1-5/8"	N/A	1-5/8"	N/A	1-5/8"	N/A	1-5/8"	N/A	1-5/8"	1-5/8"	1-5/8"	1-5/8"	1-5/8"	1-5/8"	1-5/8"	1-5/8"	1-5/8"	1-5/8"	1-5/8"
		6 or 7	1-3/4"	N/A	1-3/4"	N/A	1-3/4"	N/A	1-3/4"	N/A	1-3/4"	1-3/4"	1-3/4"	1-3/4"	1-3/4"	1-3/4"	1-3/4"	1-3/4"	1-3/4"	1-3/4"	1-3/4"
SL	6	1-1/8"	N/A	1-1/8"	N/A	1-1/8"	N/A	1-1/2"	N/A	1-3/8"	1-3/8"	1-11/16"	1-11/16"	1-1/8"	1-1/8"	1-1/2"	1-1/4"	1-1/4"	1-1/4"		
	6 or 7	1-1/4"	N/A	1-1/4"	N/A	1-1/4"	N/A	1-11/16"	N/A	1-3/8"	1-3/8"	1-11/16"	1-11/16"	1-1/4"	1-1/4"	1-11/16"	1-1/4"	1-3/8"	1-3/8"		
	6 or 7	1-3/8"	N/A	1-3/8"	N/A	1-3/8"	N/A	1-3/8"	N/A	1-3/8"	1-3/8"	1-3/8"	1-3/8"	1-1/2"	1-1/2"	1-1/2"	1-1/2"	1-1/2"	1-1/2"		
	6 or 7	1-1/2"	N/A	1-1/2"	N/A	1-1/2"	N/A	1-1/2"	N/A	1-1/2"	1-1/2"	1-1/2"	1-1/2"	1-1/2"	1-1/2"	1-1/2"	1-1/2"	1-1/2"	1-1/2"	1-1/2"	
	6 or 7	1-5/8"	N/A	1-5/8"	N/A	1-5/8"	N/A	1-5/8"	N/A	1-5/8"	1-5/8"	1-5/8"	1-5/8"	1-5/8"	1-5/8"	1-5/8"	1-5/8"	1-5/8"	1-5/8"	1-5/8"	
	6 or 7	1-3/4"	N/A	1-3/4"	N/A	1-3/4"	N/A	1-3/4"	N/A	1-3/4"	1-3/4"	1-3/4"	1-3/4"	1-3/4"	1-3/4"	1-3/4"	1-3/4"	1-3/4"	1-3/4"	1-3/4"	
Easton (CE)	6	1-1/8"	N/A	1-1/8"	N/A	1-1/8"	N/A	1-1/2"	N/A	1-3/8"	1-3/8"	1-11/16"	1-11/16"	1-1/8"	1-1/8"	1-1/2"	1-1/4"	1-1/4"	1-1/4"		
	6 or 7	1-1/4"	N/A	1-1/4"	N/A	1-1/4"	N/A	1-11/16"	N/A	1-3/8"	1-3/8"	1-11/16"	1-11/16"	1-1/4"	1-1/4"	1-11/16"	1-1/4"	1-3/8"	1-3/8"		
	6 or 7	1-3/8"	N/A	1-3/8"	N/A	1-3/8"	N/A	1-3/8"	N/A	1-3/8"	1-3/8"	1-3/8"	1-3/8"	1-1/2"	1-1/2"	1-1/2"	1-1/2"	1-1/2"	1-1/2"		
	6 or 7	1-1/2"	N/A	1-1/2"	N/A	1-1/2"	N/A	1-1/2"	N/A	1-1/2"	1-1/2"	1-1/2"	1-1/2"	1-1/2"	1-1/2"	1-1/2"	1-1/2"	1-1/2"	1-1/2"	1-1/2"	
	6 or 7	1-5/8"	N/A	1-5/8"	N/A	1-5/8"	N/A	1-5/8"	N/A	1-5/8"	1-5/8"	1-5/8"	1-5/8"	1-5/8"	1-5/8"	1-5/8"	1-5/8"	1-5/8"	1-5/8"	1-5/8"	
	6 or 7	1-3/4"	N/A	1-3/4"	N/A	1-3/4"	N/A	1-3/4"	N/A	1-3/4"	1-3/4"	1-3/4"	1-3/4"	1-3/4"	1-3/4"	1-3/4"	1-3/4"	1-3/4"	1-3/4"	1-3/4"	
Lenoir (LN)	6	1-1/8"	N/A	1-1/8"	N/A	1-1/8"	N/A	1-1/2"	N/A	1-3/8"	1-3/8"	1-11/16"	1-11/16"	1-1/8"	1-1/8"	1-1/2"	1-1/4"	1-1/4"	1-1/4"		
	6 or 7	1-1/4"	N/A	1-1/4"	N/A	1-1/4"	N/A	1-11/16"	N/A	1-3/8"	1-3/8"	1-11/16"	1-11/16"	1-1/4"	1-1/4"	1-11/16"	1-1/4"	1-3/8"	1-3/8"		
	6 or 7	1-3/8"	N/A	1-3/8"	N/A	1-3/8"	N/A	1-3/8"	N/A	1-3/8"	1-3/8"	1-3/8"	1-3/8"	1-1/2"	1-1/2"	1-1/2"	1-1/2"	1-1/2"	1-1/2"		
	6 or 7	1-1/2"	N/A	1-1/2"	N/A	1-1/2"	N/A	1-1/2"	N/A	1-1/2"	1-1/2"	1-1/2"	1-1/2"	1-1/2"	1-1/2"	1-1/2"	1-1/2"	1-1/2"	1-1/2"	1-1/2"	
	6 or 7	1-5/8"	N/A	1-5/8"	N/A	1-5/8"	N/A	1-5/8"	N/A	1-5/8"	1-5/8"	1-5/8"	1-5/8"	1-5/8"	1-5/8"	1-5/8"	1-5/8"	1-5/8"	1-5/8"	1-5/8"	
	6 or 7	1-3/4"	No Collar	1-3/4"	N/A	1-3/4"	N/A	1-3/4"	N/A	1-3/4"	1-3/4"	1-3/4"	1-3/4"	1-3/4"	1-3/4"	1-3/4"	1-3/4"	1-3/4"	1-3/4"	1-3/4"	

*Single Cylinder Only
 **Consult Factory
 N/A = Application Not Available
 Note: Copenhagen, Easton and Lenoir escutcheons discontinued. Information for reference only.



Strikes

Yale® 8800 Series Mortise Locks come standard with a 2815 Curved Lip Strike with a 1-1/4" (32mm) lip length. The strike supplied will accommodate the locking function, i.e. latchbolt and/or deadbolt, and can be installed on doors 1-3/4" (44mm) thick. These strikes are non-handed.

Material: Brass, Bronze, Stainless Steel.

Longer/Shorter Lip Lengths: Mortise lock strikes are mounted 3/8" above the center line of the lock. To determine the proper length of lip use the following formula:

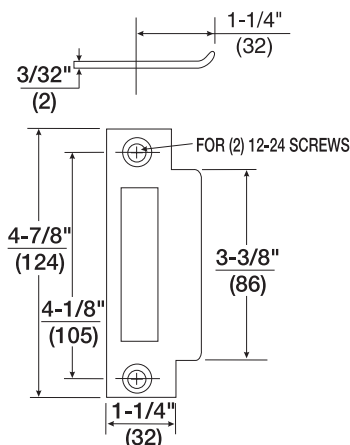
1/2 of the door thickness, plus 1/16" inset, plus trim thickness, plus 1/8" for flat lip strike OR 1/4" for curved lip strike. Select the nearest available length.

2815 Curved Lip:

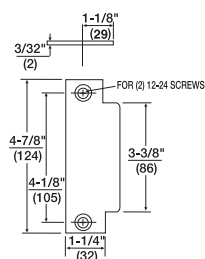
- 1-1/4" (32mm) standard
- To special order
- 1-1/8" (29mm)
- 1-3/8" (35mm)
- 1-1/2" (38mm)
- 1-5/8" (41mm)
- 1-3/4" (44mm)
- 1-7/8" (48mm)
- 2" (51mm)
- 2-1/8" (54mm)
- 2-1/4" (57mm)

2816 Flat Lip:

- To special order,
- 7/8" (22mm)
- 1" (25mm)
- 1-1/8" (29mm)
- 1-1/4" (32mm)
- 1-1/2" (38mm)
- 1-3/4" (44mm)
- 2" (51mm)
- 2-1/4" (57mm)
- 2-1/2" (64mm)



OPTIONAL STRIKES

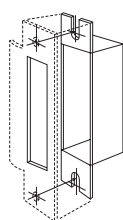


497B ANSI Blank Filler Plate: Reversible to replace a strike where a lock has been removed or where a frame with a strike preparation when no lock is installed on a door. Lip Lengths: 1-1/8" (29mm) only.

Material: Brass, Bronze, Stainless Steel.

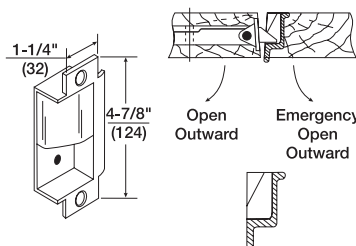
718 Open Back Strike: Field handable for a standard V-beveled pair of doors with a latchbolt only function on the active door. This strike permits emergency opening of the inactive door without damaging the lock mechanism. Available for doors 1-3/4" or 2-1/4" thick only. Specify the door thickness required.

Material: Stainless Steel, Black Nylon Coated.



202 Strike Box: Reversible for installation with all Flat or Curved Lip Strikes. Available to special order only.

Material: Wrought Steel, Zinc Plated, Dichromated.





Occupancy Indicators

PRIVACY FUNCTION INDICATOR

This indicator can be ordered as an option with the 8802 (privacy) and 8862 (bathroom) functions. Available for all lever and knob trim designs.

The privacy occupancy indicator can be ordered with locksets by specifying IND as an option. It can be ordered separately as a retrofit kit for sectional trim by specifying model number IND-K and required finish and for escutcheon trim by specifying CN88 x 261 x finish (available for CN escutcheon only).

When specifying option IND, the lockset will be provided with an indicator that shows the room is either occupied (locked icon/red background) when deadbolt is thrown or vacant (unlocked icon/green background) when deadbolt is retracted.



Deadbolt Thrown
Locked icon/Red background



Deadbolt Retracted
Unlocked icon/Green background

CYLINDER FUNCTION INDICATOR

The cylinder indicator is standard with the 8820 (hotel guest), 8827 (hotel/motel), and 8864 (bathroom) functions and can be ordered as an option with 8832 (hotel/motel), 8822 (dormitory) and 8818-2 (classroom security intruder) functions. Available for all lever and knob trim designs. Note: Cylinder indicator is not available for use with R3, R4, or R5 roses.

The cylinder occupancy indicator can be ordered with locksets by specifying IND as an option. It can be ordered separately as a retrofit kit for sectional trim by specifying model number CIND-K and required finish and for escutcheon trim by specifying CN88 x 260 x finish (without cointurn) or CN88 x 262 x finish (with cointurn). When ordered separately, cylinder not included (available for CN escutcheon only).



Deadbolt Thrown
Locked icon/Red background



Deadbolt Retracted
Unlocked icon/Green background



Miscellaneous

RABBETED DOOR KITS

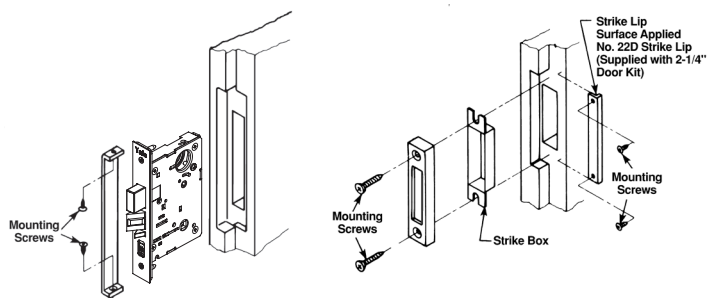
The Yale® 8800 Series Mortise Lock can be installed on a pair of doors with a standard 1/2" (13mm) step rabbet. Kits are available which adapt these locks to the rabbeted doors. These kits contain a 1/2" (13mm) standard step rabbet strip for the active door, a strike, a strike box, and, depending on the door thickness, a strike lip. They are available for doors 1-3/4" (44mm), 2" (51mm) and 2-1/4" (57mm) thick. All components of these kits are reversible.

To order a complete Yale mortise lock with a Rabbet Door Kit, suffix the lock model number with a Rabbeted Door by door thickness, hand and finish required, i.e. AU8807 x Rabbeted Door x 1-3/4" x RH x 626.

Kits for rabbeted doors can be ordered by model number separately from the accompanying chart. When ordered separately, specify the finish required.

Door Thickness	Rabbeted Door Kit Model No.	Strike Model No.
1-3/4" 2"	RK245	22E

These kits contain the above components plus a No. 22D strike lip with attaching screws for doors above 2".



MISCELLANEOUS TRIM DESIGN

GF1824 Thumbturn and Round Plate

Supplied as standard on all locks with round rose sectional trim or lock functions with no roses.

Thumbturn: Cast Zinc.

Plate: 1-7/8" (48mm) Diameter.

Brass, Bronze, Simulated Stainless Steel.



GF1826 Plate for Privacy

Used for outside of 8802 Privacy Lock.

Plate: 1-7/8" (48mm) Diameter.

Brass, Bronze, Simulated Stainless Steel.

GF1828 Blank Plate

For use on doors where thumbturn is no longer used.

Plate: 1-7/8" (48mm) Diameter.

Brass, Bronze, Simulated Stainless Steel.

ATTACHING SCREWS

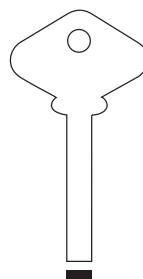
GF1824, GF1826 and GF1828

No. 6 x 3/8" (10mm) type "AB", Oval Phillips Head sheet metal screw, stainless steel plated to match trim (P/N 81-3173-0308). Specify finish required.

EMERGENCY KEY

E203

Used with 8802 privacy lock and 8862 bathroom lock for emergency access from outside.



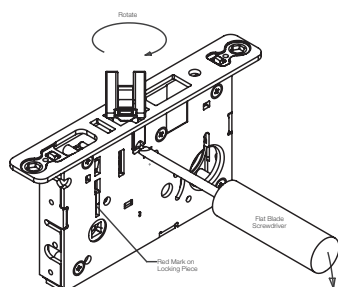


Handing

HANDING THE 8800 MORTISE LOCK

HANDING THE LATCHBOLT

1. Insert a flat blade screwdriver into cover slot.
2. Pull back on screwdriver until latchbolt extends past the base front.
3. Rotate head to desired position.



HANDING THE HUBS (LEVER OPERATION)

1. Locate the red mark on locking piece
2. The red mark indicates the locked side
3. Push toggle button to the "Unlock" position
4. With a flat blade screwdriver push red mark on locking piece to rotate locking piece 180° to the desired location
5. The locking piece must be fully rotated 180° for proper operation

HAND OF DOORS

The outside is the key side of an entrance door or the corridor side of a room door. The outside of a single communicating door is the side opposite the hinges. The outside of twin communicating doors is the space between the doors.



Left Hand: Hinges on left, opens inward. For handed locks, specify LH.



Left Hand Reverse: Hinges on left, opens outward. For handed locks, specify LHR.



Right Hand: Hinges on right, opens inward. For handed locks, specify RH.



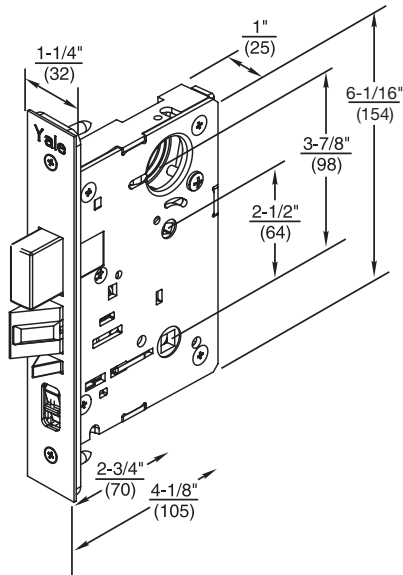
Right Hand Reverse: Hinges on right, opens outward. For handed locks, specify RHR.



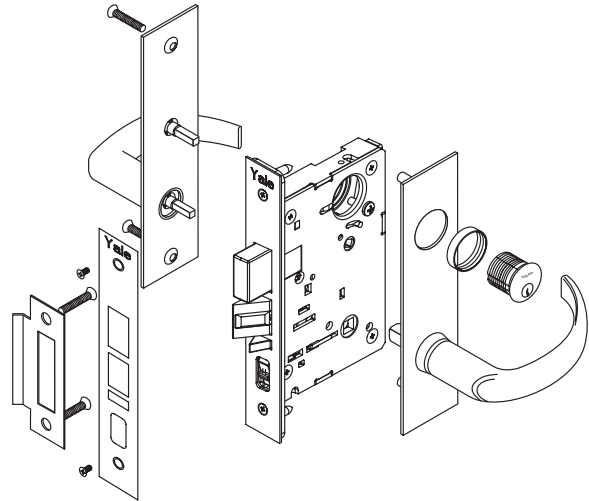
Dimensions and Exploded Views

8800/SL8800 SERIES

- **Armor Front** - 8" x 1-1/4"
- **Door Thickness** - 1-3/4" standard, to 3-1/4" thick doors to order.
- **Deadbolt** - 1" throw, solid investment cast stainless steel.
- **Latchbolt** - 3/4" throw, stainless steel one-piece anti-friction.
- **Backset** - 2-3/4" only.
- **Case** - wrought steel, zinc dichromated.
- **Hubs** - 3/8" solid steel, fine-blanked and heat treated for additional strength.

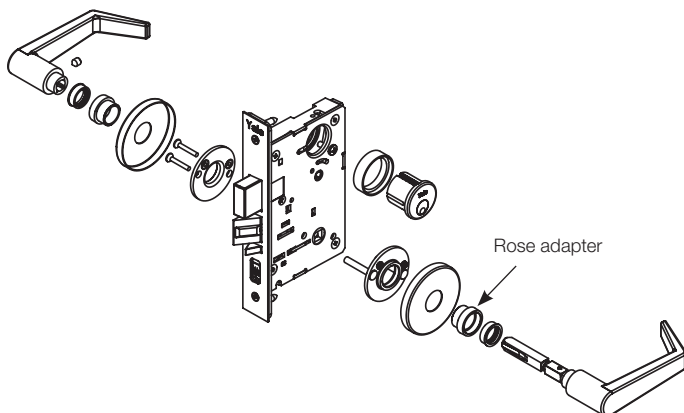


SL8800 LEVER

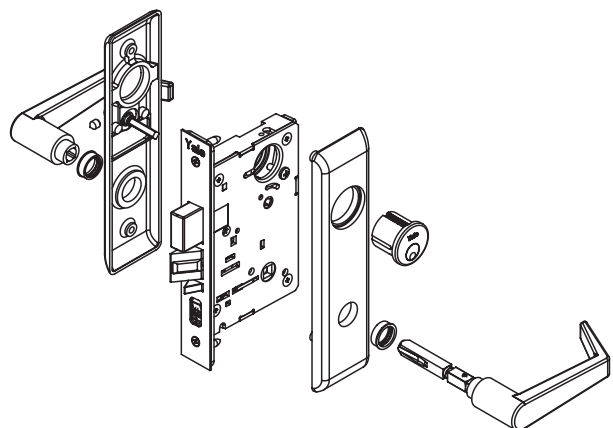


STANDARD LEVER

Sectional



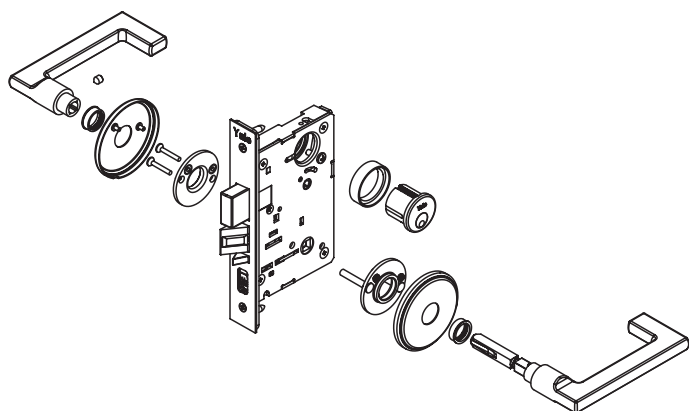
Escutcheon



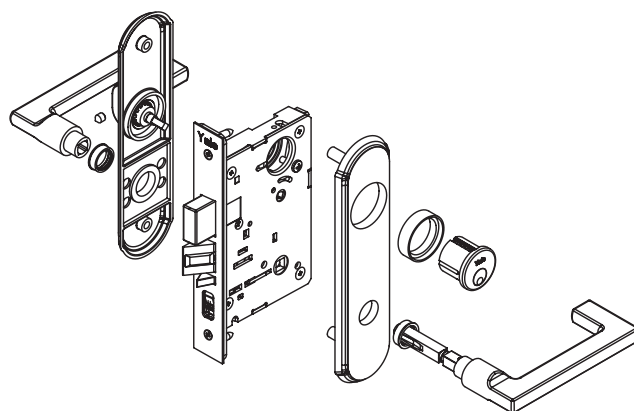
Installations

REFLECTIONS® LEVER

Sectional



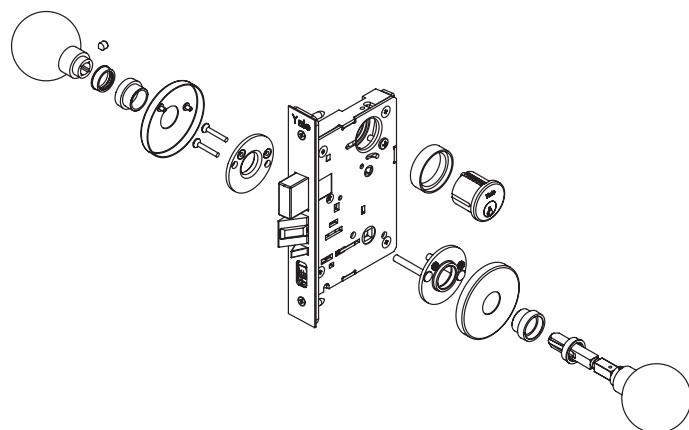
Escutcheon



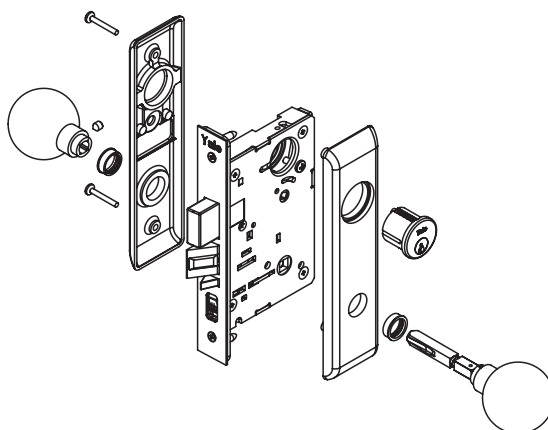
*When using Reflections levers with the CO rose, the rose adaptor is not used. Levers will not install and/or properly operate if rose adaptor is included.

KNOB

Sectional



Escutcheon





Technical Specifications and Listings

ADA



The 8800 meets accessibility guidelines of the Americans with Disabilities Act and the requirements of the Uniform Federal Accessibility standards and ANSI 117.1, all requiring ease of accessibility.

ANSI/BHMA



Certified ANSI/BHMA A156.13, Series 1000, Operational Grade 1 (8800FL with CN escutcheon & SL8800 meet Security Grade 1). 8800 Series Mortise Locks conform to ANSI/BHMA Specifications A156.115 which cover hardware preparations for steel doors and steel frames and A156.115-W which cover hardware preparations for wood doors with wood or steel frames.

BEVEL FRONT

Yale 8800 series fronts are free-floating to adjust from flat to the standard bevel of 1/8" in 2".

DOOR THICKNESS

8800 Series Mortise Locks are supplied as standard for 1-3/4" thick doors. For other than standard, specify the door thickness on the order: (i.e. 2", 2-1/4", etc.)

INSTALLATION

Yale 8800 Series sectional and escutcheon trims feature thrubolted installation. Outside trim is held in place by threaded posts. For sectional trims, the posts fit through holes in the lock case and are secured by thrubolts from the inside trim. For escutcheon trims, the posts fit through the door and are secured by thrubolts from the inside trim. The posts fit through holes in the door, above and below the lock case, and are secured by thrubolts from the inside trim.

ISO 9001

Designed and manufactured under a certified ISO 9001 quality system.

LEAD SHIELDING

All Yale 8800 Series Mortise Locks are available with a lead shield for installation in lead-lined doors. To order, suffix the lockset model number with "lead-lined."

KNURLED DESIGNS

Where required by the local authority, trim can be knurled to be identifiable to the touch for blind persons. All knob designs except CA may be ordered knurled; all lever designs except designer trim and Reflections® trim (pages 10-12) may be ordered knurled.

Only the outside knob or lever will be knurled or abrasive coated unless specified otherwise. To order a complete lockset knurled or abrasive coated, suffix the lockset model number with "Knurled" or "Abrasive Coated," i.e. AU x CN8807 x "Knurled," AU x CN8817-2 x "Knurled Inside Only," AU x CN8828FL "Abrasive Coated."

UNDERWRITERS LABORATORIES (UL/cUL)

Yale 8800 Series Mortise Locks have been listed by Underwriters Laboratories Inc. for use on fire doors having a rating up to and including 3 hours and for use on 20 minute wood doors. This pertains to single swing doors not exceeding 4 feet in width and 8 feet in height and in doors mounted in pairs not exceeding 8 feet in either direction (unless otherwise noted in the individual listings.)

In general, single-point mortise locks or latches with 3/4" minimum latch throw are intended for the active leaf of doors mounted in pairs, with the inactive leaf provided with top and bottom flush or surface bolts of the manual, automatic, or self-latching type. The door Classification Marking specifies the minimum latch throw required for the individual door.

Yale 8800 Series Mortise Locks with 3/4" throw latchbolts may also be used on single swing doors rated 1-1/2 hours or less, up to 4 feet in width and 9 feet in height. This is in addition to the rating mentioned above. All Yale 8800 Series Mortise Locks with Lever Handle Trim are UL listed for fire door applications. Underwriters Laboratories does not list locks with rabbeted fronts, locks with deadbolt only, or locks with hold-back feature on the latchbolt.

Note: Any retrofit or other field modification to a fire rated opening can potentially impact the fire rating of the opening, and Yale Locks & Hardware makes no representations or warranties concerning what such impact may be in any specific situation. When retrofitting any portion of an existing fire rated opening, or specifying and installing a new fire-rated opening, please consult with a code specialist or local code official (Authority Having Jurisdiction) to ensure compliance with all applicable codes and ratings.

WARRANTY

Yale 8800 Series mechanical mortise locks are protected by a ten (10) year warranty and 8800 Series electrified mortise locks have a two (2) year warranty.

WINDSTORM

Certified (refer to local codes).  Hurricane



Notes

Contact Us

The world's favorite lock



U.S.A.

Yale Locks & Hardware

Address: 225 Episcopal Road
Berlin, CT 06037-4004
Tel: 1-800-438-1951
Fax: 1-800-338-0965
yalelocks.com

Canada:

ASSA ABLOY Door Security Solutions Canada

Address: 160 Four Valley Drive
Vaughan, Ontario L4K 4T9
Tel: 1-800-461-3007
Fax: 1-800-461-8989
assaabloydss.ca

International:

ASSA ABLOY Americas International

Tel: 1-905-821-7775
Fax: 1-905-821-1429
assaabloyai.com

Yale Commercial is a business associated with ASSA ABLOY Access and Egress Hardware Group, Inc., an ASSA ABLOY Group company. Copyright © 2004-2019, ASSA ABLOY Access and Egress Hardware Group, Inc. All rights reserved. Reproduction in whole or in part without the express written permission of ASSA ABLOY Access and Egress Hardware Group, Inc. is prohibited.

YALE, with its unique global reach and range of products, is the world's favorite lock.

ASSA ABLOY is the global leader in door opening solutions, dedicated to satisfying end-user needs for security, safety and convenience.

42002-3/19