

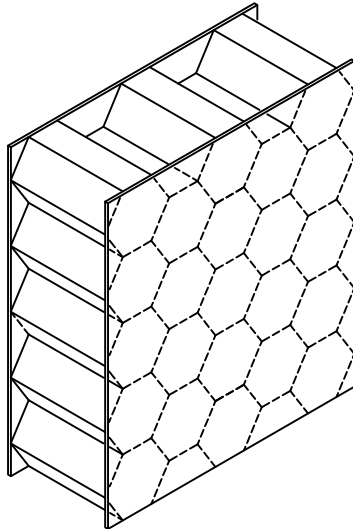
ASSA ABLOY

D1-1

1-3/4" REGENT (RI) HONEYCOMB CORE DOORS

FLUSH AND EMBOSSED PANEL STEEL DOORS

BEVELED LOCK EDGE, HANDED



*Kraft fiber honeycomb slab,
bonded to the inside of both
face sheets with a water
resistant, contact adhesive.*

Suggested Use:

*Interior or Exterior ...
Office, Motel/Hotel, Apartment,
Urban Renewal, Health Care,
Institutional, Mercantile,
Public Utility, Factory, or Warehouse.*

DOOR DESIGNS

F G G2 G3 V N___ N___ GLB FG LB

LD LT DUTCH DDB E603 E601, EN61 E602, EN62, EN63 E605, E606 EN66 E607, E608 E609, EN69 E604, EN63

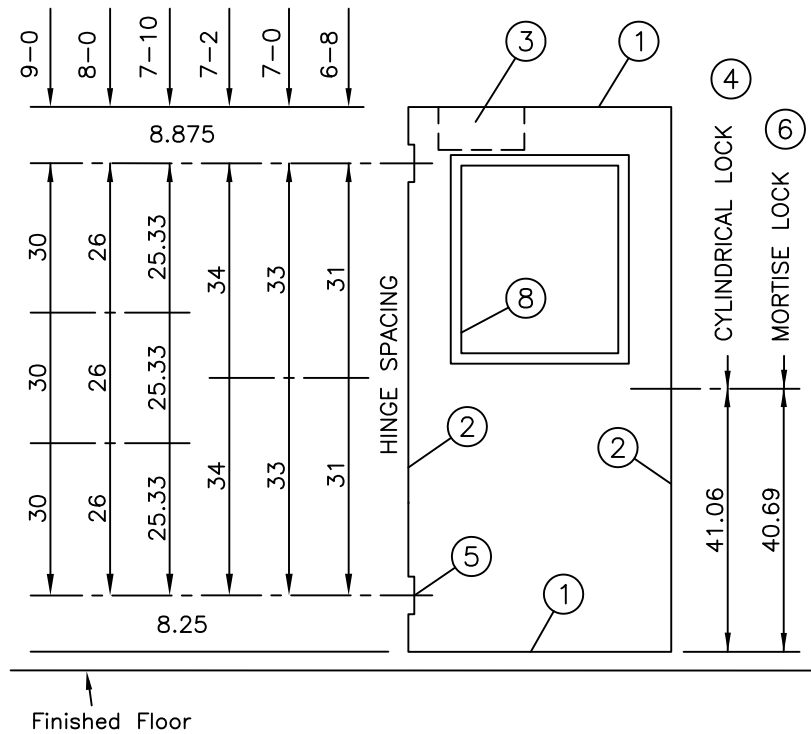
DUTCH
V, G, & N
DESIGNS AVAILABLE

EMBOSSED 6 PANEL ORDER CODES AND DOOR WIDTHS	
2'6", 2'8" NARROW 6 PANEL	2'8", 3'0" STD. 6 PANEL
EN61	E603
EN62	E601
EN63	E602
EN66	E605
E607	E606
E608	E607
EN69	E608
EN63	E609
E603	E604

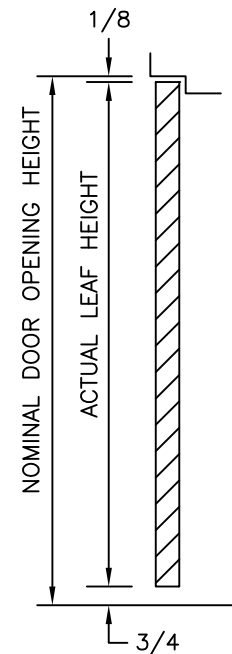
02/12/15

D1-2

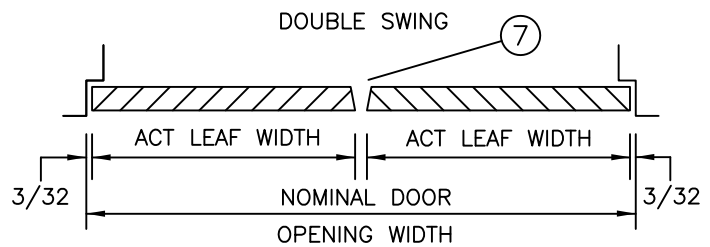
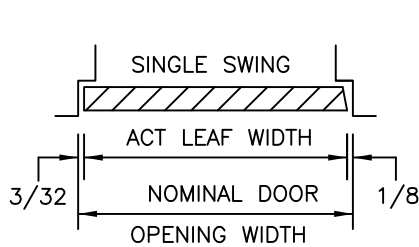
Hardware locations shown match Ceco standard frames.



DOOR ELEVATION



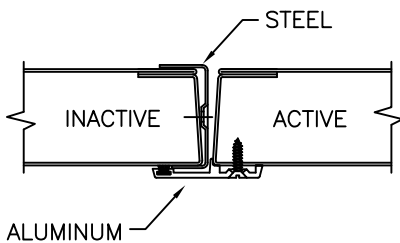
VERTICAL SECTION



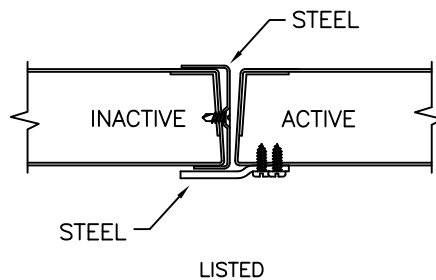
HORIZONTAL SECTIONS

(Conversion: 1" = 25.4 mm, e.g., 1-3/4" = 44.45 mm)

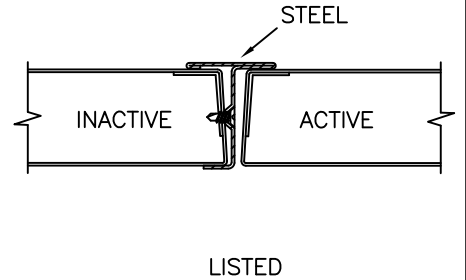
OVERLAPPING ASTRAGAL 4451
 FOR 1-3/4" THICK DOORS WITH OPTIONAL POLY-PILE INSERT



OVERLAPPING ASTRAGAL 4441
 FOR 1-3/4" THICK DOORS



OVERLAPPING ASTRAGAL 4471
 FOR 1-3/4" THICK DOORS



04/30/09



ASSA ABLOY

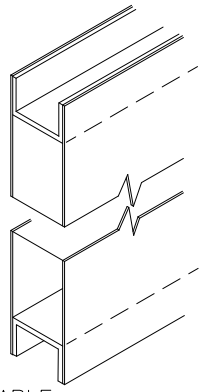
D1-3

16 GAGE STEEL END CHANNELS

WELDED
TO BOTH
FACE SHEETS

INVERTED
TOP AND
BOTTOM

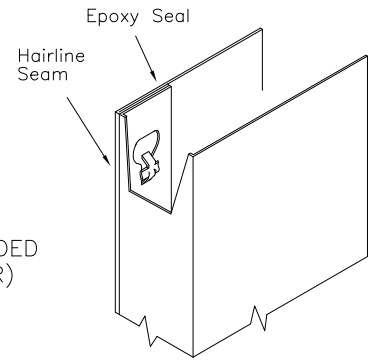
OPTIONAL TOP AND
BOTTOM CAPS ARE AVAILABLE



① VERTICAL EDGES

MECHANICALLY
INTERLOCKED
HEMMED EDGES

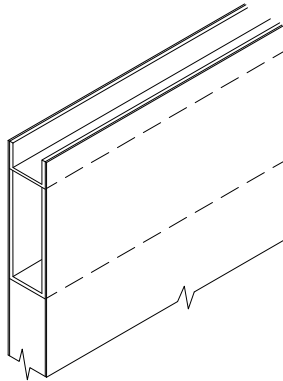
ALSO AVAILABLE
SEAMLESS (WELDED
OR BODY FILLER)



②

CLOSER REINFORCEMENT (OPTIONAL)

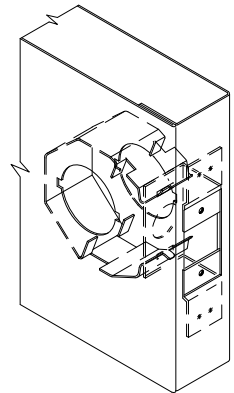
14 GAGE STEEL
CHANNEL 20" LONG



③ LOCK PREPARATION GOV. 160/161 CYLINDRICAL TYPE

(LC1)

(ANSI A115.2)
2-3/4"
BACKSET

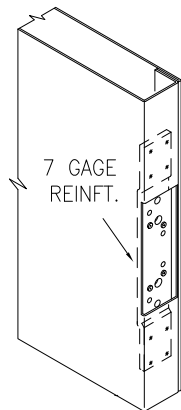


④

HINGE PREPARATION

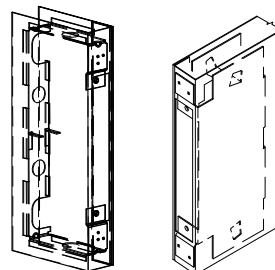
4-1/2 OR 5 IN.
HIGH, STANDARD
OR HEAVY WEIGHT,
FULL MORTISE
HINGES

HINGE EDGE IS HANDED
AND NOT BEVELED.



ANSI A156.7
TEMPLATE

⑤ LOCK PREPARATION GOV. 86, ANSI/BHMA A115.1 MORTISE TYPE



(LMO)

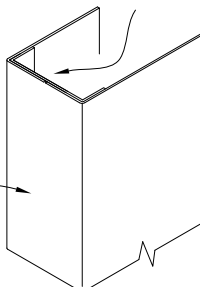
NOTE: EITHER OF THE LOCK
REINFORCEMENTS/
GUARDS SHOWN MAY
BE INSTALLED WITH
ANY MORTISE LOCK
PREPARATION.

⑥

LOCK EDGE IS BEVELED
1/8" IN 2" (1:16)

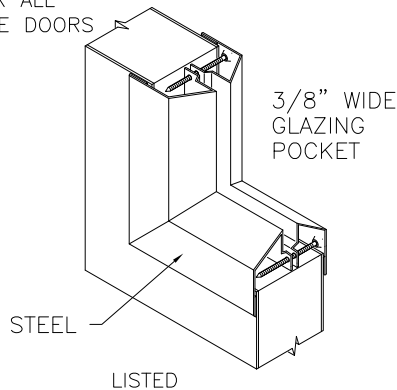
VERTICAL EDGES 16 GAGE FULL HEIGHT CHANNEL

14 GAGE
REQUIRES
CENTER EDGE
SEAMLESS DESIGN



GLAZING TRIM SlimTrim

FOR ALL
FIRE DOORS

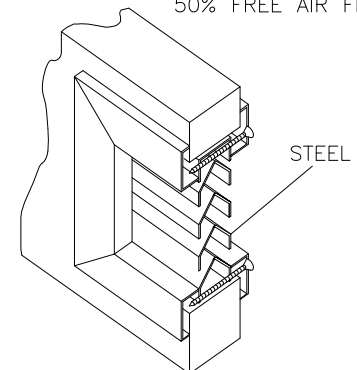


LISTED

⑧ FIXED SLAT TYPE LOUVER 4634

FOR 1-3/4" THICK
DOORS

50% FREE AIR FLOW



⑨

04/10/17

D1-4

PRODUCT SPECIFICATIONS:

1-3/4" Thick steel doors shall be as manufactured by Ceco Door Products. Doors shall conform to the Steel Door Institute guide specification, ANSI A250.8; see chart below for performance classifications.

STANDARD SIZES NOMINAL DOOR OPENING

WIDTH		HEIGHT
SINGLE	DOUBLE	
2'-0"	4'-0"	6'-8" 7'-0" 7'-2" 7'-10" 8'-0" 9'-0"
2'-4"	4'-8"	
2'-6"	5'-0"	
2'-8"	5'-4"	
2'-10"	5'-8"	
3'-0"	6'-0"	
3'-4"	6'-8"	
3'-6"	7'-0"	
3'-8"	7'-4"	
3'-10"	7'-8"	
4'-0"	8'-0"	

REGENT doors are made full-flush or (optional) seamless style. Face sheets are commercial quality cold rolled steel conforming to ASTM A1008 ...or (optional) hot-dipped galvanized steel conforming to ASTM A924 and A653 -- see chart below.

Regent full-flush doors have mechanically interlocked, hemmed, hairline seams on vertical edges and have no visible seams on faces. Doors specified "seamless" have no visible seams on faces or vertical edges (S.D.I. Model 2). 14 gage doors are seamless vertical edge construction. A one piece, kraft honeycomb core is securely bonded to both face sheets under pressure with contact adhesive. The top and bottom door edges are closed with 16 gage steel channels welded to both face sheets.

Hardware Provisions: Hinge preparations are handed. Hinge edges are mortised for 4-1/2" or 5" high, standard and heavy weight hinges (specify which). 7 gage steel hinge reinforcements are welded inside the door edge and are drilled and tapped for fasteners in accordance with ANSI A156.7. The lock edge has a standard bevel (1:16) and is prepared for Gov. series 86, 160/161, or 90 locks in accordance with ANSI A115 (specify which). Optional closer reinforcement is a 14 gage steel channel.

Paint: 1-3/4" steel doors shall be provided with one coat of oven-cured neutral color primer paint. Primer coat shall conform with ANSI A250.10. The primer coat is a preparatory base for necessary finish painting. "Colorstyle" finish coat is also available from a selection of standard colors (optional). Colorstyle finish is electrostatically applied, oven-cured urethane enamel, and shall conform to ANSI A250.3. For accurate color selectors ask for a Ceco Colorstyle chart.

FIRE DOORS

LABELING AGENCIES:

- UNDERWRITERS LABORATORY
- WARNOCK HERSEY
- FACTORY MUTUAL

TEST: UL10C, UL10B, UL1784, & NFPA 252

- RATING: 20 MIN, 3/4 HR, 1 HR, 1-1/2 HR, OR 3 HR
- MAX. SIZE: 40 x 90 SINGLE
80 x 90 PAIR
- DESIGNS: F, FG, G, N, & V

Not all ratings are available in all sizes, designs and materials.

MATERIAL

DOOR FACE SHEETS	LEVEL	C.R.	GALV		RECOMMENDED DOOR FRAME MATERIAL
			A60	G90	
20 Gage Steel (4080 max.)	Standard Duty	STD	-	-	16 Gage Steel
20 Gage Textured Steel (4080 max.)	Standard Duty	-	STD	-	16 Gage Steel
18 Gage Steel	Heavy Duty	STD	OPT	OPT	16 Gage Steel
16 Gage Steel	Extra Heavy Duty	STD	OPT	OPT	16 or 14 Gage Steel
14 Gage Steel	Maximum Duty	STD	OPT	OPT	14 or 12 Gage Steel

PERFORMANCE

Sound Transmission Class:	STC 32 (F Design, 18 Gage Face Sheets, ASTM E90 & E413 [Fully Operable])
Physical Endurance /Level:	Meets ANSI A250.4 Performance Test, 20 GAGE: Level B (500,000 Cycles); 18 and 16 Gage: Level A (1,000,000 Cycles)

(Conversion: 1" = 25.4 mm, e.g., 1-3/4" = 44.45 mm)



03/20/13