



941036-00

9954

VON DUPRIN®

Removable Mullion

Installation Instructions

1. Adjust ball plunger for top and bottom fitting. Adjust ball plunger out until ball is compressed when fitting is engaged with mullion. Once adjusted properly, lock-tite in place. See Figure 1.
2. Line up and install bottom mullion fitting with center of door opening and flush with closed doors. If threshold is used, it must be cut to fit around the bottom fitting. See Figures 2 and 3.

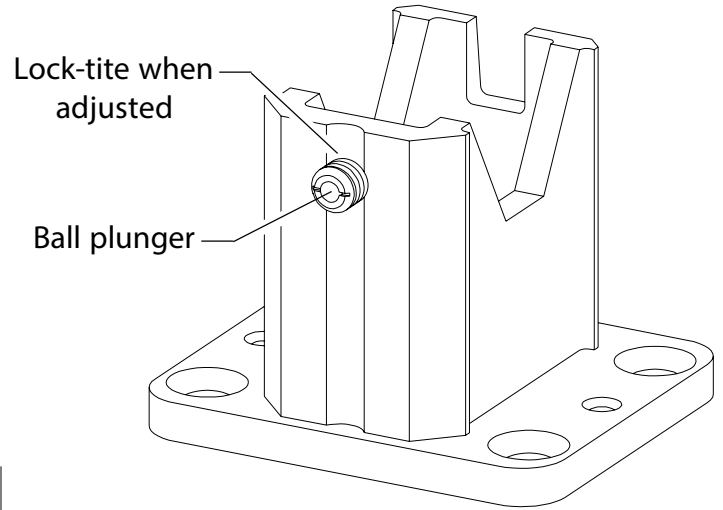


Figure 1

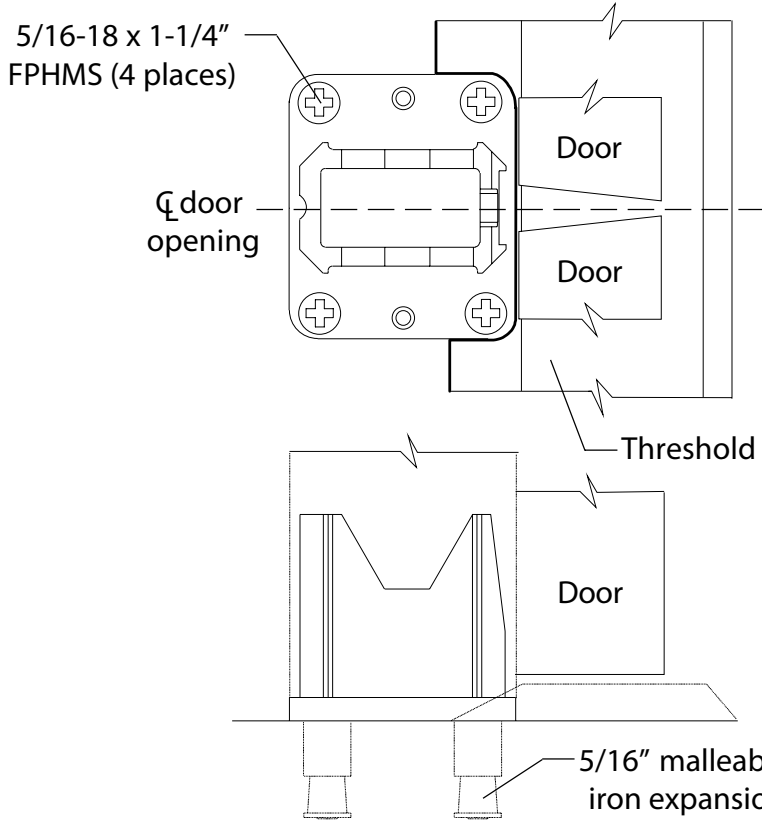


Figure 2

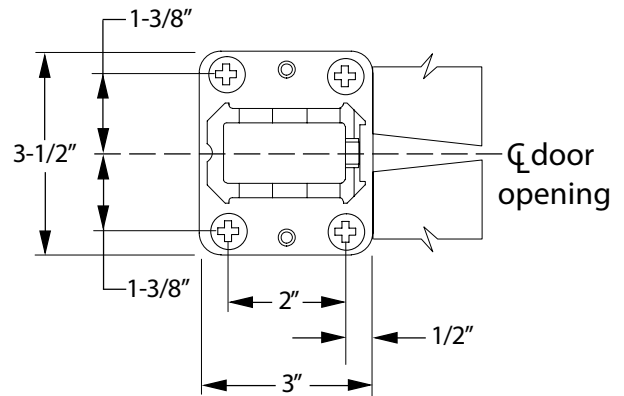


Figure 3



Customer Service
 1-877-671-7011 www.allegion.com/us

- Line up and install top mullion fitting with center of door opening and flush with closed doors. If stop is less than 3-1/2" wide, a filler block must be provided by others. See Figure 4.

NOTE
 Reinforcement for all sheet metal frames is to be supplied by frame manufacturer.

- Cut mullion body from the top to provide clearance as shown in Figure 4. Be sure mullion is seated on bottom fitting. See Figure 4.

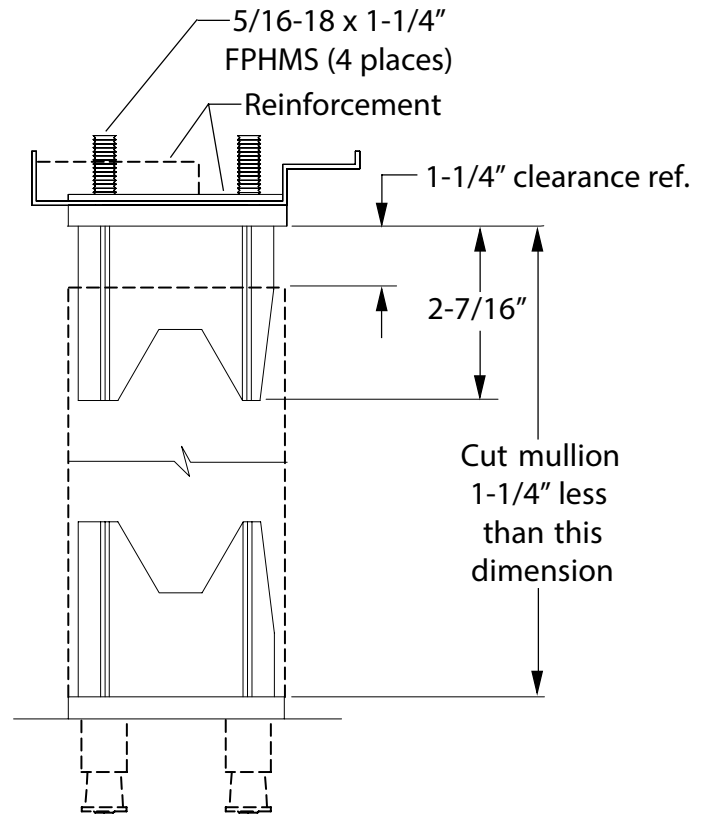


Figure 4

- Remove top mullion fitting and insert in top of mullion body. Slide mullion into place and replace mounting screws. Install top mullion clamp. See Figure 5.

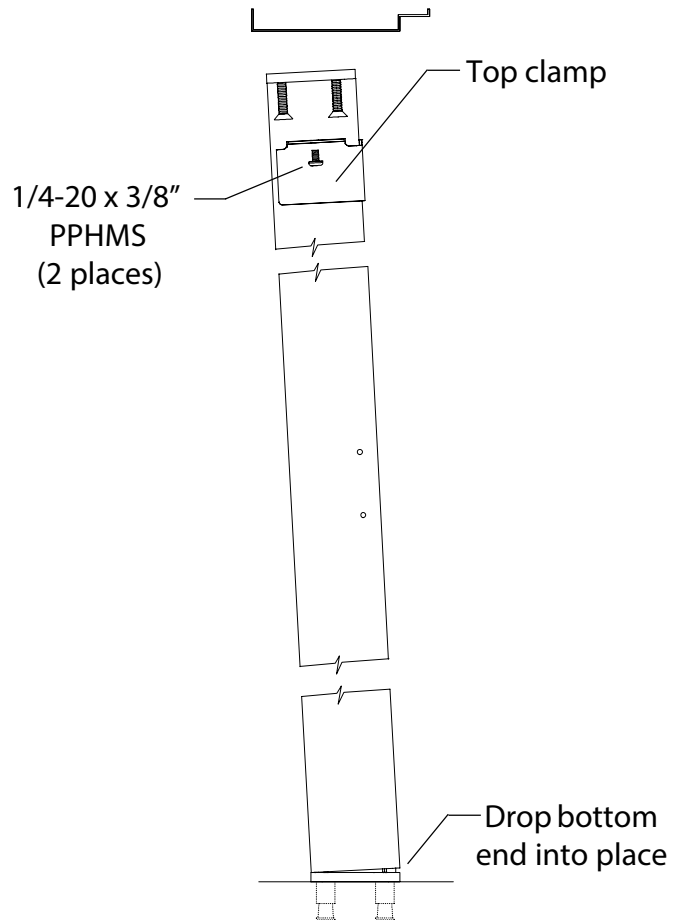


Figure 5