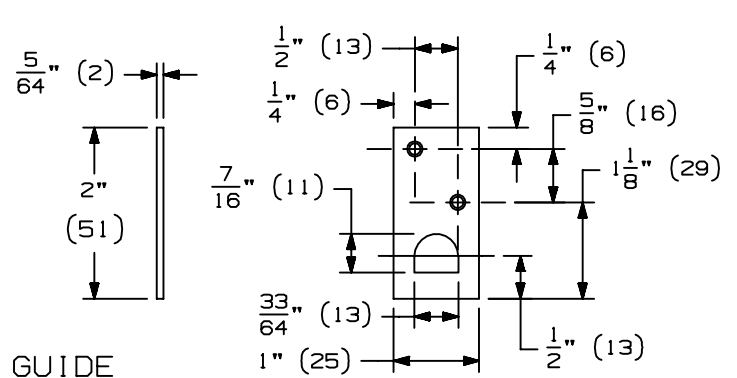
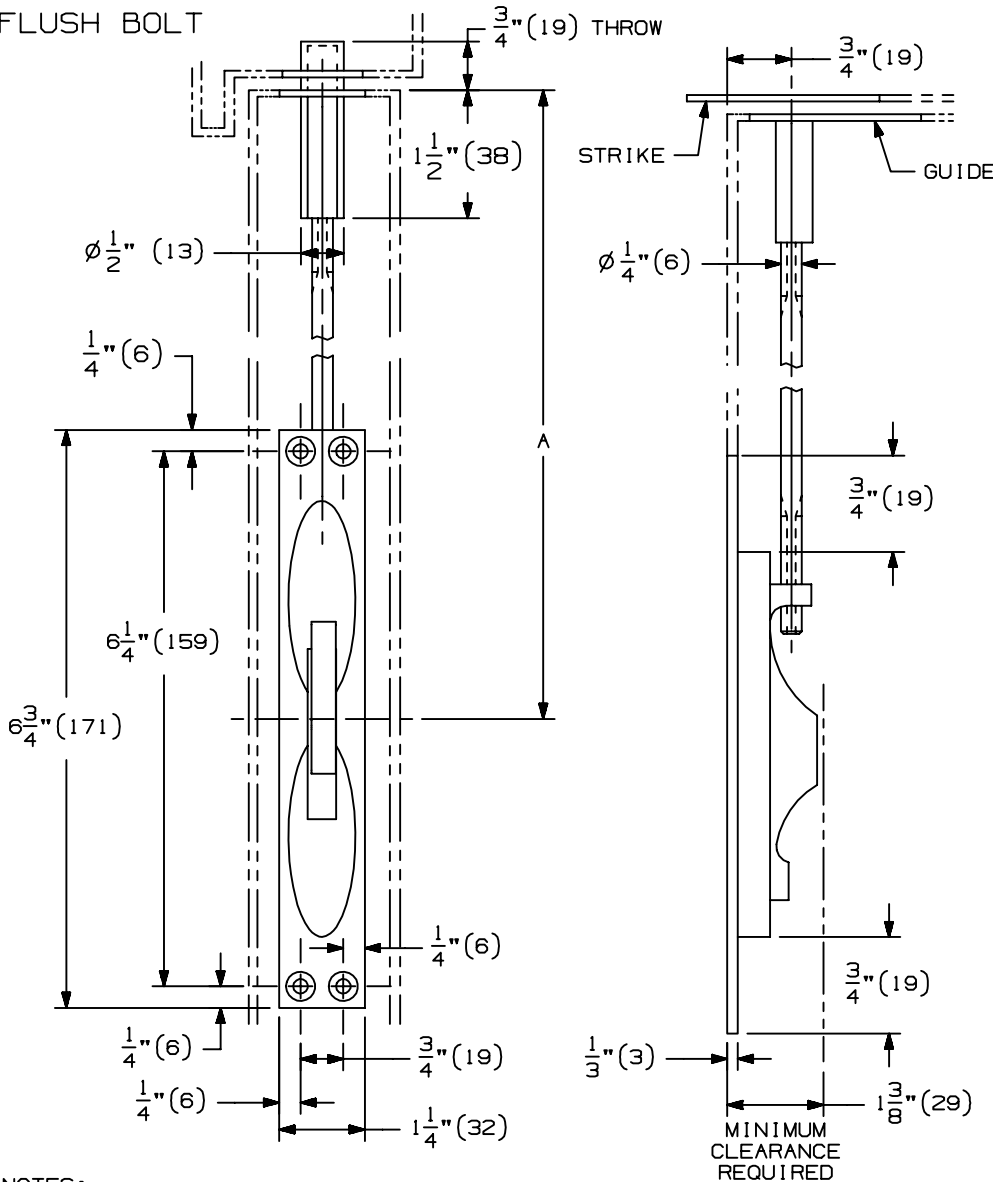


STRIKE



GUIDE

FLUSH BOLT



FB457 & FB457N
INSTALLATION
INSTRUCTIONS:

1. MORTISE INACTIVE DOOR FOR FB457 & FB457N
2. HANG INACTIVE DOOR, WITH DOOR OPEN. MEASURE MINIMUM CLEARANCE FROM DOOR TO FINISHED FLOOR.
3. REMOVE DOOR. INSTALL FB457 & FB457N FLUSH BOLT. ADJUST TOP BOLT SO IT IS FLUSH WITH TOP OF DOOR. ADJUST BOTTOM BOLT TO PROJECT $\frac{1}{8}$ " (3) LESS THAN MINIMUM CLEARANCE.
4. INSTALL GUIDE.
5. INSTALL STRIKE.
6. HANG DOOR.

FIELD ADJUSTMENTS:

VERTICAL ROD ADJUSTMENT

- A. TOP BOLT - REMOVE GUIDE, TURN BOLT AS NECESSARY TO ADJUST.
- B. BOTTOM BOLT - REMOVE DOOR FROM HINGES. REMOVE GUIDE. TURN BOLT AS NECESSARY TO ADJUST.

NOTES:

1. A = 12" (305) IS STANDARD, OTHER SIZES ARE OPTIONAL. ONLY THE 6" (152), 9" (229), 12" (305) & 24" (610) ARE UL LISTED FOR FIRE DOORS

| | | | | | | | |
|---|-----|-----|-----|-----|-----|-----|------|
| A | 6 | 9 | 18 | 24 | 30 | 36 | 48 |
| | 152 | 229 | 457 | 610 | 762 | 914 | 1219 |

2. THE DOOR MUST HAVE AT LEAST $\frac{1}{4}$ " (6) UNDERCUT.
3. FOR ADDITIONAL INFORMATION ON OPTIONAL DUST PROOF STRIKES, SEE DP1 & DP2 TEMPLATES.

| | QTY | SCREW DETAILS |
|---------|-----|----------------------------|
| HOUSING | 4 | #8-32 X 1" FPH COMBO SCREW |
| GUIDE | 2 | #8-32 X 1" FPH COMBO SCREW |
| STRIKE | 2 | #8-32 X 1" FPH COMBO SCREW |

IVES FB457 & FB457N MANUAL FLUSH BOLT FOR METAL DOORS
INSTALLATION TEMPLATE



NOTE: DIMENSIONS IN () ARE MILLIMETERS.

TEMPLATE NUMBER: INST.FB457_0

DATE: 09-01-01