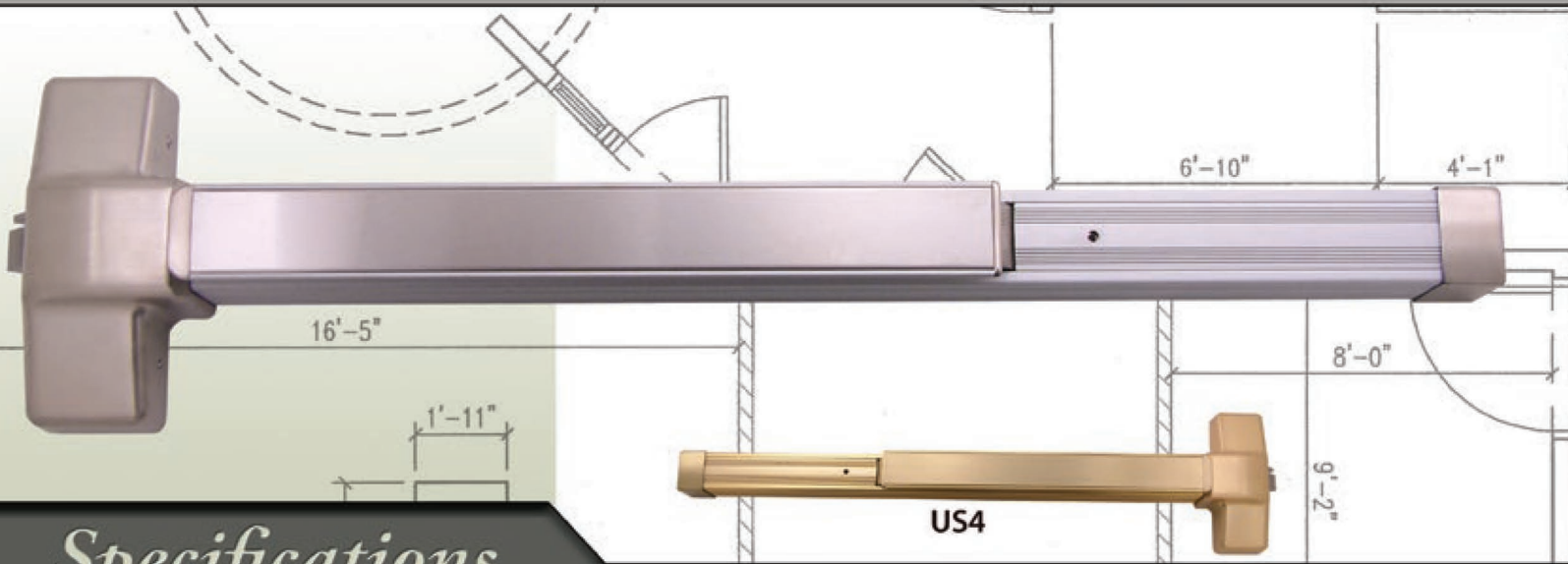


# 1000 Series

Heavy Duty Rim Exit Device



## Specifications

**ANSI:** Meets & Exceeds ANSI A156.3 - Grade 1 Standards

**UL Listing:** UL Listed for Panic Exit Hardware

**(Optional) Fire Rating:** UL Listed for "A" Label 3 Hour Fire Doors (no dogging on rated devices)

**ADA:** Meets ADA requirements ANSI A117.1 with Lever Trim

**Handing:** Non Handed - Completely Reversible

**Construction:** Heavy Duty Extruded Anodized Aluminum Channel & Steel Chassis

**Finishes:** US3, US4, US10B, US26 & US32D on Headcover, Pushbar & End Cap

**Marine Grade:** Marine Grade 316 Stainless Steel option available

**Latchbolt:** Deadlocking latchbolt with 5/8" projection

**Strike:** Roller Strike with 5/8" projection & 1/8" shim

**Dogging:** 5/32" Hex Key Dogging Standard on Panic Exit Hardware only

**Cylinder Dogging:** Cylinder Dogging Kits available for new or existing exit devices

**Device Lengths:** 33" for 3'-0" wide doors and 42" for 3'-8" to 4'-0" wide doors

**Min. Door Width:** 33" & 42" devices can be cut down to fit on 2'-8" wide doors

**Center Case Dim.:** 8" Height x 2 7/8" Wide x 2 13/16" Thick - 4 1/2" Minimum stile required

US32D

**Mechanism Case Dim.:** 2 3/16" Height x 2 3/16" Wide

**Projection:** 3 3/8" Undogged - Pushbar Neutral & 2 13/16" Dogged - Pushbar Depressed

**Fasteners:** Wood, Machine & Self Tapping Machine Screws (F1000R includes thru bolts)

**Trim & Accessories:** ASA & latch fillers included, Exterior Trims, Shim Kits & other accessories available

**Alarmed Exits:** Exit Alarm Kit ALK-1000 available for new or existing devices

**Electrification:** ELR - Motorized Electric latch retraction, ED - Electric dogging, REX - Request to exit, LBM - Latch bolt monitoring available, See electrified section

**Warranty:** Limited Lifetime Warranty

US10B

