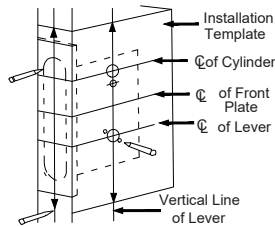


Trudoor ML1 SERIES Mortise Lock Installation Instructions

Door Preparation

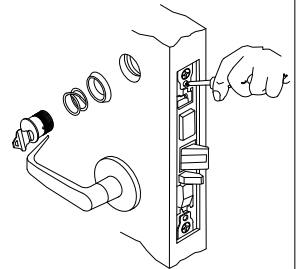
1. Align door preparation template on edge of door with applicable lines. Check door preparation chart and mark only holes for lock function being installed.



2. Mortise door edge according to measurements on installation template and drill proper holes for trims.

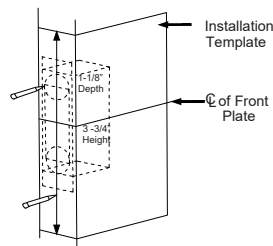
Install Cylinder

1. Loosen the cylinder retaining screw to allow the mortise cylinder to be threaded into lock case by inserting screwdriver in the hole on the mortise lock body.
2. Screw the mortise cylinder through the outside trim into cylinder hole in the lock case.
3. Tighten retaining screw against cylinder by turning screw clockwise

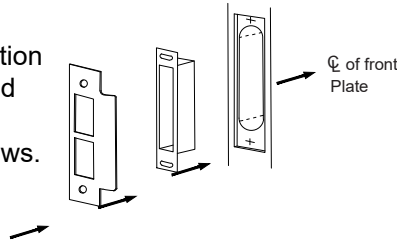


Strike preparation

1. Align strike template on jamb according to measurements of strike installation template. Bore 1" diameter holes into door edge, 1-1/8" deep. Recess 5/32" for fit of strike and box.

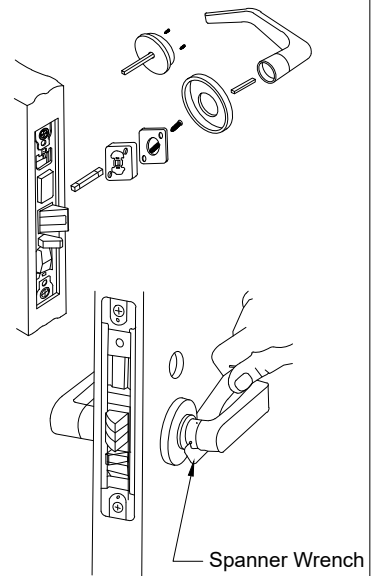


2. Mortise jamb according to measurement of installation template. Then fit strike and dust box into frame and secure into place with screws.



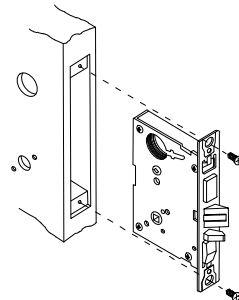
Inside Lever

1. Insert spindle into hub of lock case.
2. Place spring cage with arrows pointing in direction of lever rotation and mounting plate (spring-mount assembly) onto lock case and fasten into screws.
3. Cap inside rose over spring-mount assembly.
4. Insert inside spring into lever hole.
5. Screw inside into position and tighten lever bushing with spanner wrench.



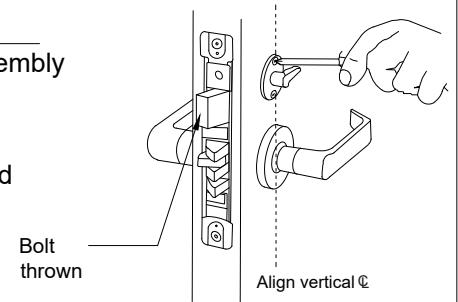
Lockcase Installation

1. Insert lockcase into mortise cut-out & fasten screws to door.



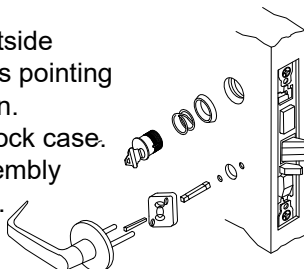
Install Thumbturn

1. Insert thumbturn assembly and project deadbolt
2. Align screw hole on vertical centerline and fasten with screws.



Outside lever

1. Place spring cage onto outside lever assembly with arrows pointing in direction of lever rotation. insert spindle into hub of lock case.
2. Position outside lever assembly into post hole of lock case.



Front Plate

1. Install outside front plate onto lockcase front and then fasten with screws.

