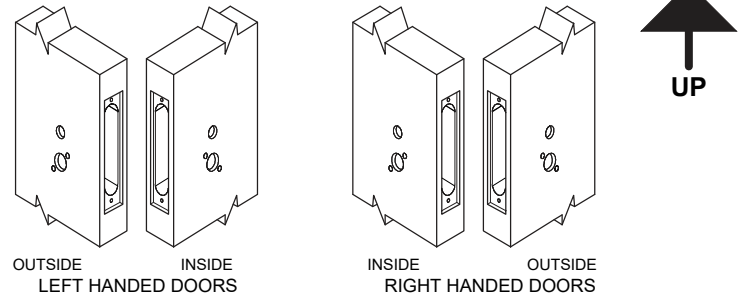


DOOR PREPARATION CHART						
Model	OUTSIDE			INSIDE		
	CYLINDER HOLE (A)	THUMBTURN HOLE (B)	LEVER HOLE (C)	CYLINDER HOLE (A)	THUMBTURN HOLE (B)	LEVER HOLE (C)
ML113	●		●		●	●
● Indicates positions that needs to be drilled.						



not to scale - dimensions in inches

Trudoor ML113 Corridor Mortise Lock Template