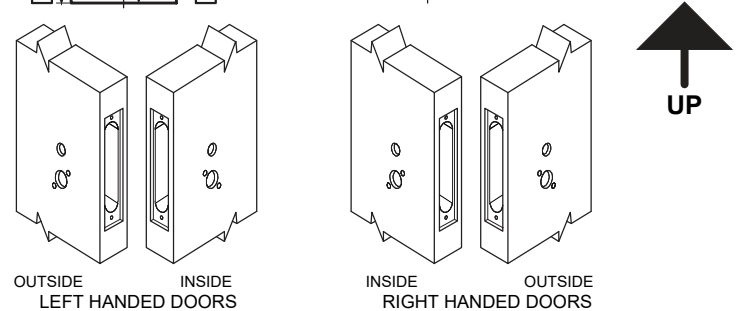


DOOR PREPARATION CHART						
Model	OUTSIDE			INSIDE		
	CYLINDER HOLE (A)	THUMBTURN HOLE (B)	LEVER HOLE (C)	CYLINDER HOLE (A)	THUMBTURN HOLE (B)	LEVER HOLE (C)
ML107	●		●			●
● Indicates positions that needs to be drilled.						



not to scale - dimensions are in inches

Trudoor ML107 Storeroom Mortise Lock Template