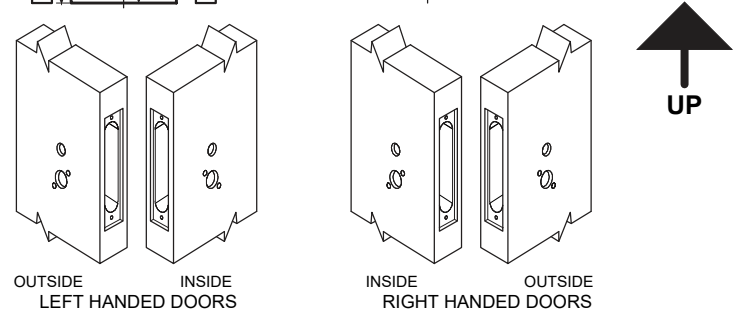


DOOR PREPARATION CHART						
Model	OUTSIDE			INSIDE		
	CYLINDER HOLE (A)	THUMBTURN HOLE (B)	LEVER HOLE (C)	CYLINDER HOLE (A)	THUMBTURN HOLE (B)	LEVER HOLE (C)
ML104	●		●			●

● Indicates positions that needs to be drilled.



not to scale - dimensions in inches

Trudoor ML104 Office/Entry Mortise Lock Template