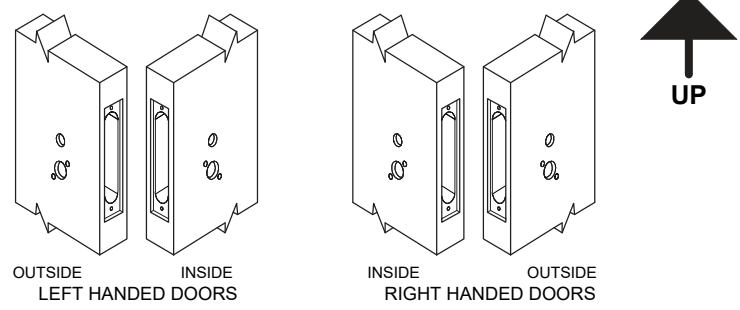


DOOR PREPARATION CHART						
Model	OUTSIDE			INSIDE		
	CYLINDER HOLE (A)	THUMBTURN HOLE (B)	LEVER HOLE (C)	CYLINDER HOLE (A)	THUMBTURN HOLE (B)	LEVER HOLE (C)
ML101			●			●
● Indicates positions that needs to be drilled.						

not to scale - dimensions are in inches



Trudoor ML101 Passage Mortise Lock Template