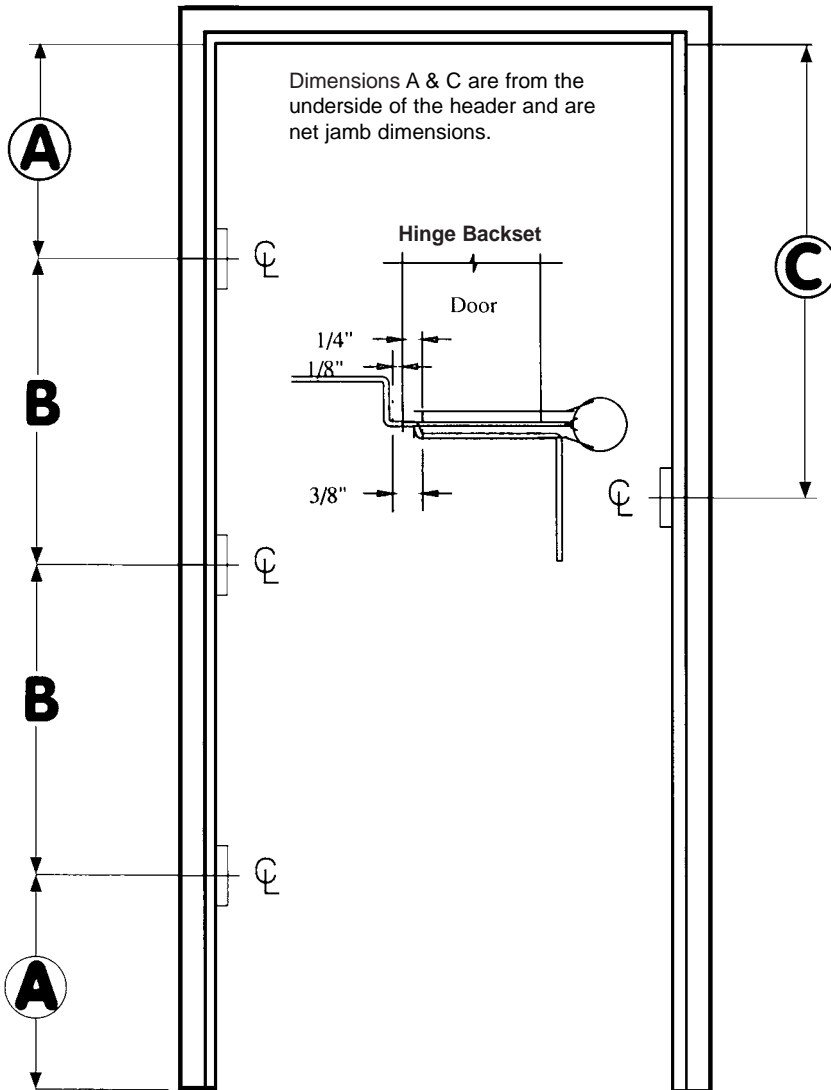


**Prefit Specifications**  
 Frame Hinge and Strike Locations  
 1 3/4" with 3 Each 4 1/2" Hinges

10241 NORRIS AVE. ♦ PACOIMA, CALIFORNIA 91331-2292 ♦ (818) 492-3500

Effective March 2007

**NOTE: When using this chart for premachining door measurements, reduce the A & C dimensions 3/32" each for door clearance.**

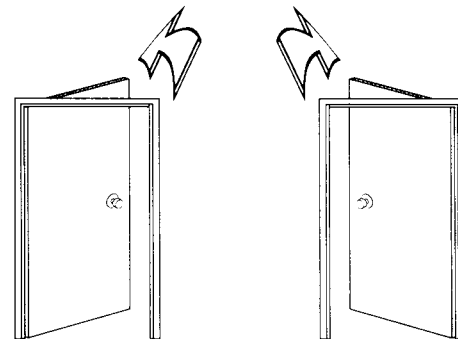


**Net Frame Dimensions**

+ HEIGHT	A	B	C
5-0	10-19/32	19-1/2	20-3/32
5-1	10-19/32	20	21-3/32
5-2	10-19/32	20-1/2	22-3/32
5-4	10-19/32	21-1/2	24-3/32
6-0	10-19/32	25-1/2	32-3/32
6-8	10-19/32	29-1/2	40-3/32*
6-9	10-19/32	30	41-3/32
	10-19/32	30	40-19/32*
7-0	10-19/32	31-1/2	44-3/32
	10-19/32	31-1/2	42-3/32*
7-4	10-19/32	33-1/2	48-3/32
7-6	10-19/32	34-1/2	50-3/32
7-8	10-19/32	35-1/2	52-3/32
7-10	10-19/32	36-1/2	54-3/32
8-0	10-19/32	37-1/2	56-3/32
8-4	10-19/32	39-1/2	60-3/32
8-6	10-19/32	40-1/2	62-3/32
8-8	10-19/32	41-1/2	64-3/32
8-10	10-19/32	42-1/2	66-3/32
9-0	10-19/32	43-1/2	68-3/32
10-0	10-19/32	49-1/2	80-3/32

\*Reversible - Frame can be used as Left or Right Hand, swing in or out

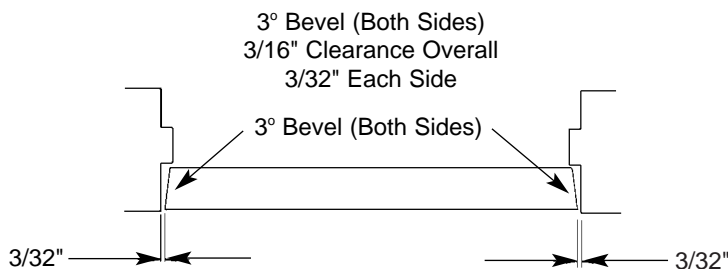
+ Frame Heights are 3/16" longer than call out door height unless ordered net. (3/32" top, 3/32" bottom for clearance).



Left Hand

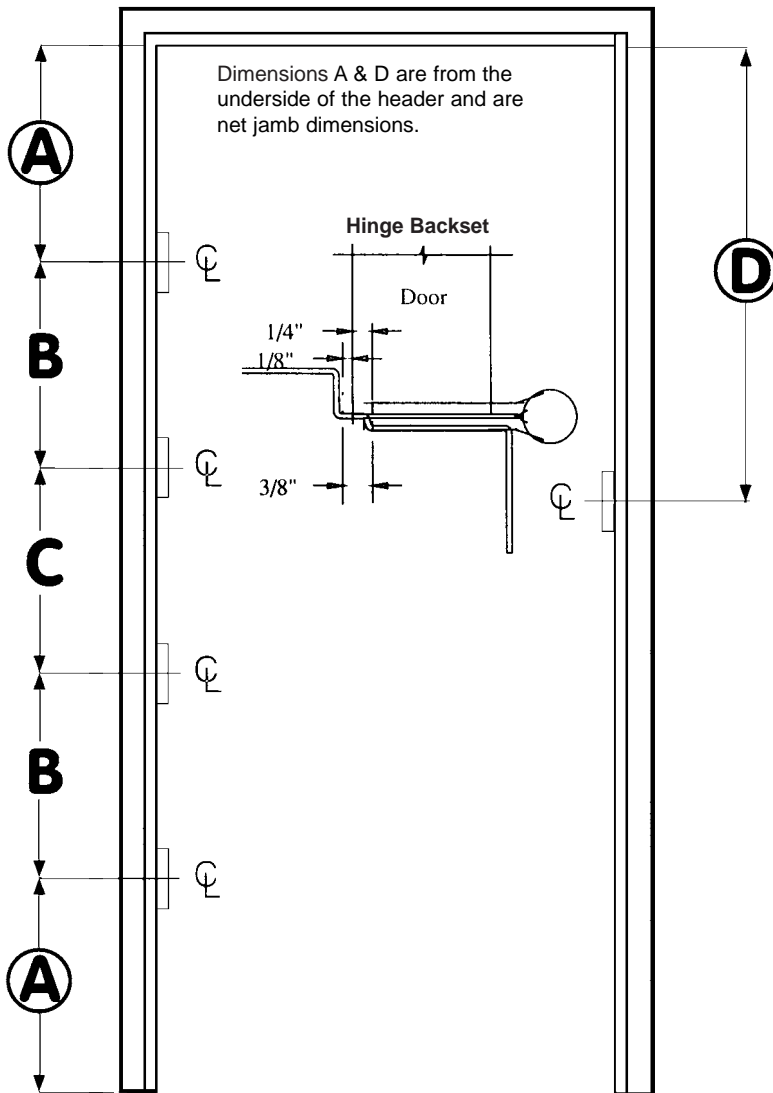
Right Hand

Handing Information  
 To establish handing always **Push** the door away from you.



FOR SPECIFICATIONS NOT SHOWN, PLEASE CONSULT OFFICE.

**NOTE: When using this chart for premachining door measurements, reduce the A & D dimensions 3/32" each for door clearance.**

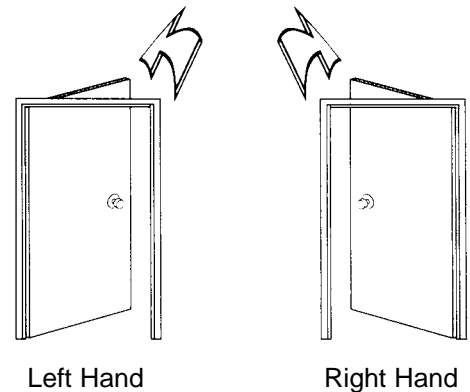
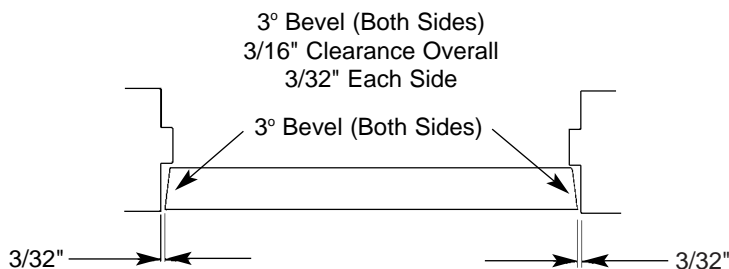


**Net Frame Dimensions**

+ HEIGHT	A	B	C	D
6-0	10-19/32	17	17	32-3/32
6-8	10-19/32	19-1/2	20	40-3/32*
6-9	10-19/32	20	20	41-3/32
	10-19/32	20	20	40-19/32*
6-10	10-19/32	20-1/4	20-1/2	42-3/32
	10-19/32	21	21	44-3/32
7-0	10-19/32	21	21	42-3/32*
	10-19/32	21-1/2	22	46-3/32
7-2	10-19/32	22-1/4	22-1/2	48-3/32
7-4	10-19/32	23	23	50-3/32
7-6	10-19/32	23-1/2	24	52-3/32
7-8	10-19/32	24-1/4	24-1/2	54-3/32
7-10	10-19/32	25	25	56-3/32
8-0	10-19/32	25-1/2	26	58-3/32
8-2	10-19/32	26-1/4	26-1/2	60-3/32
8-4	10-19/32	27	27	62-3/32
8-6	10-19/32	27-1/2	28	64-3/32
8-8	10-19/32	28-1/4	28-1/2	66-3/32
8-10	10-19/32	29	29	68-3/32
9-0	10-19/32	30-1/4	30-1/2	72-3/32
9-4	10-19/32	31-1/2	32	76-3/32
9-8	10-19/32	33	33	80-3/32

\*Reversible - Frame can be used as Left or Right Hand, swing in or out

+ Frame Heights are 3/16" longer than call out door height unless ordered net. (3/32" top, 3/32" bottom for clearance).



Handing Information  
 To establish handing always **Push** the door away from you.

FOR SPECIFICATIONS NOT SHOWN, PLEASE CONSULT OFFICE.