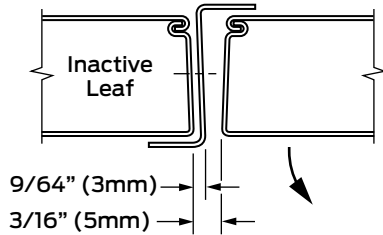


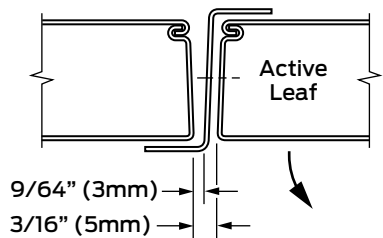
## Z Astragal

### Applications

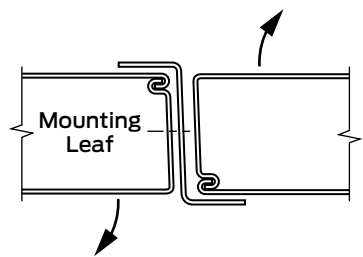
#### Inactive Leaf Mounting



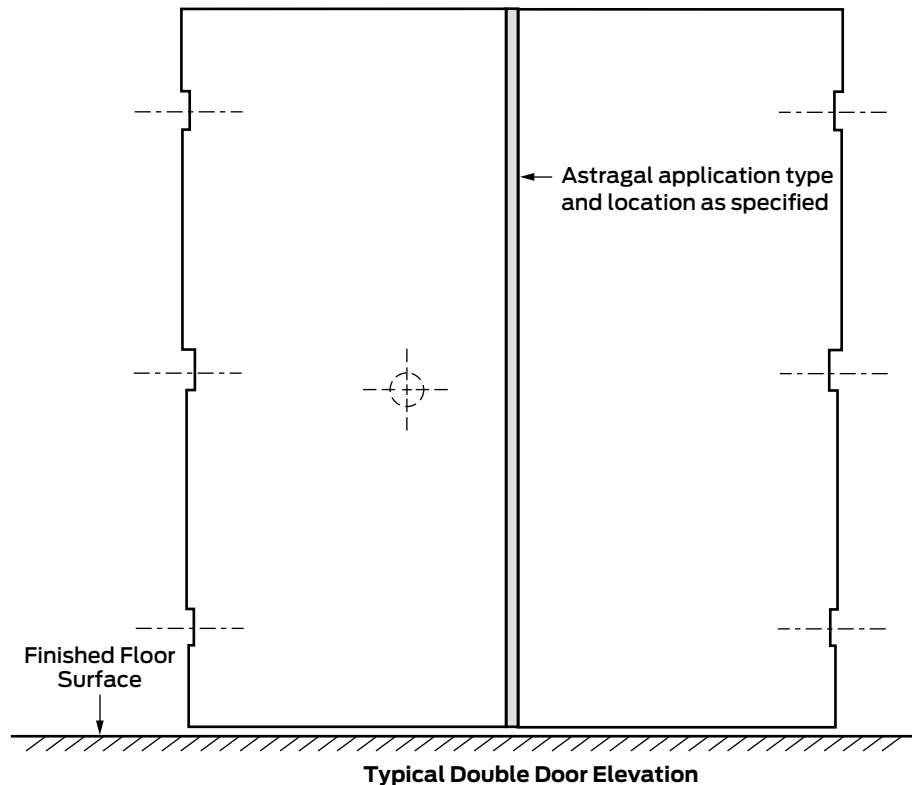
#### Active Leaf Mounting



#### Double Egress Mounting



Z Astragal Applications



#### Purpose

Astragals are used to close the gap between pairs of doors. The astragal seals the opening from weather, light, and in some cases, sound. Security requirements dictate the appropriate application.

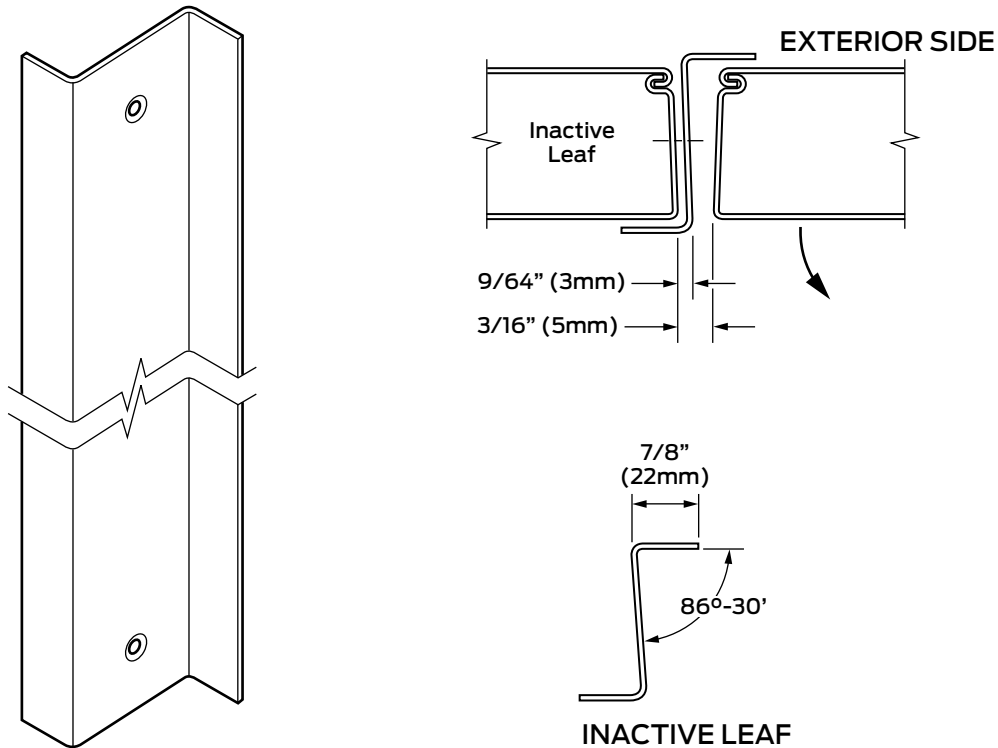
#### Application

- This astragal is normally supplied with pairs of Steelcraft doors.
- This is a handed product.
- Attachment is made to the inactive door leaf, with the sheet metal screws supplied.
- Shipped loose for field attachment.
- This astragal can be used on both rated fire doors and non-rated doors.

#### Product availability

This product option is available for Steelcraft L, SL, B, T, CE, H, HE, PW, and A14 Series doors. See the Fire Rated products section for application to Fire Rated doors.

### Inactive leaf mounting



#### Purpose

Astragals are used to close the gap between pairs of doors. The astragal seals the opening from weather, light, and in some cases, sound. Security requirements dictate the appropriate application.

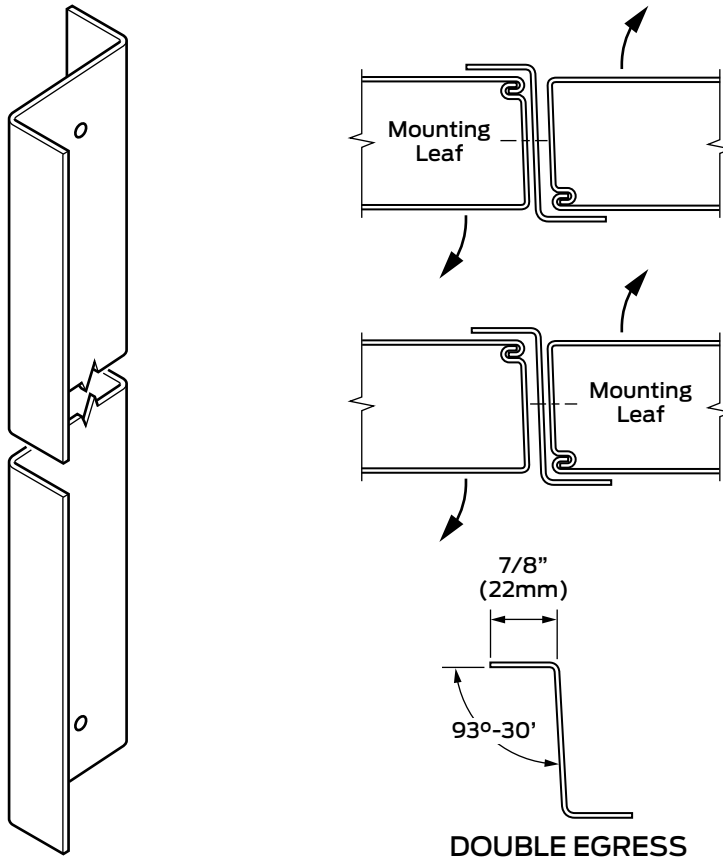
#### Application

- This astragal is normally supplied with pairs of Steelcraft doors.
- This is a handed product; it has the same hand as the inactive door leaf.
- Attachment is made to the inactive door leaf, with the sheet metal screws supplied.
- Shipped loose for field attachment.
- Active Leaf Mounting or Double Egress Mounting, must be called-out separately on the order.
  - The astragal is formed to match the bevel of the door.
  - When mounted to an active leaf or double egress leaf, the astragal forming is reversed.
- This astragal can be used on both fire rated and non-rated doors.

#### Product availability

This product option is available for Steelcraft L, SL, B, T, H, HE, PW, and A14 Series doors. See the Fire Rated Products section for application to Fire Rated doors.

### Double egress mounting



**DOUBLE EGRESS**

#### Purpose

Astragals are used to close the gap between pairs of doors. The astragal seals the opening from weather, light, and in some cases, sound. Security requirements dictate the appropriate application.

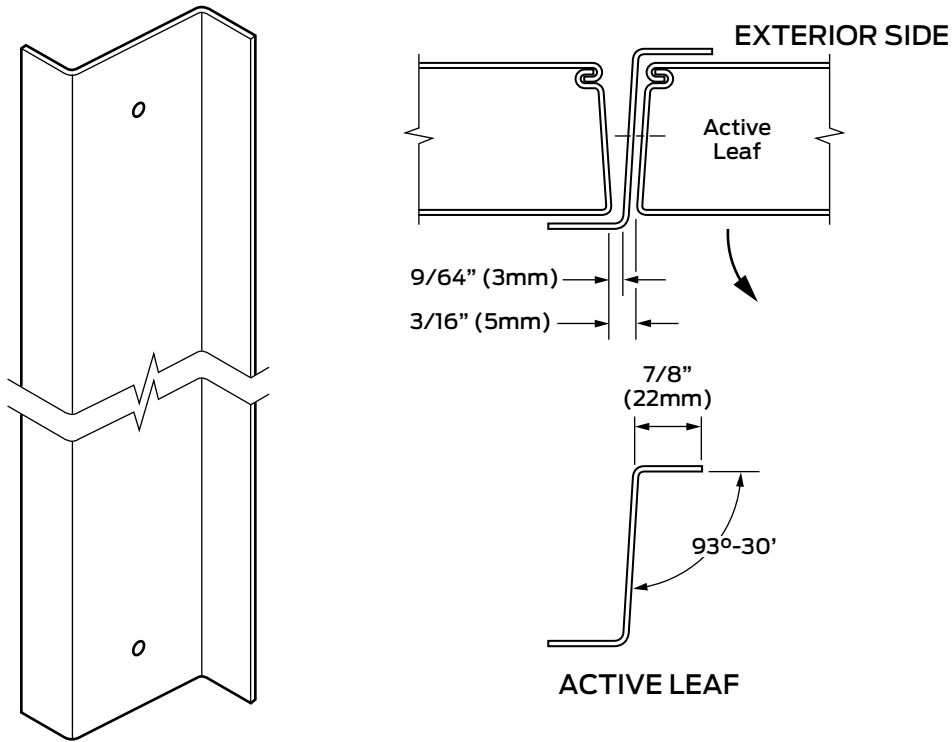
#### Application

- Required on all three (3) Hour Rated Double Egress openings. Astragal must be ordered separately.
- This is a handed product; it has the same hand as the active leaf.
- The astragal is blank, with no hardware cutouts.
- Shipped loose for field attachment, with the sheet metal screws supplied.
- The astragal can be attached to either leaf as shown, as it does not impede operation.
  - Can be used on pairs of doors with Vertical Rod Exit devices on both leaves.
  - This astragal can also be used on 1 ½ and ¾ hour rated Double Egress openings although it is not required to meet the label requirements.
- This astragal can not be used on the active door leaf or inactive door leaf of a conventional pair of doors due to reverse forming and no hardware cutouts.

#### Product availability

This product option is available for Steelcraft L, SL, B, T, and CE Series doors. See the Fire Rated Products section for application to Fire Rated doors.

**Active leaf mounting**



**Purpose**

Astragals are used to close the gap between pairs of doors. The astragal seals the opening from weather, light, and in some cases, sound. Security requirements dictate the appropriate application.

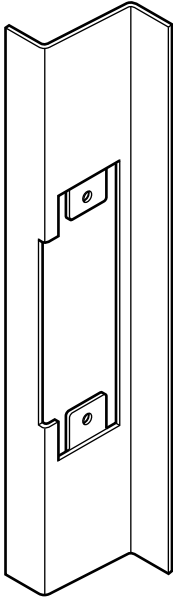
**Application**

- This astragal requires a special call-out when ordered.
- This is a handed product; it has the same hand as the active door leaf
- Shipped loose for field attachment, with the sheet metal screws supplied
- This astragal can not be attached to an inactive door leaf or a double egress door because of the hardware cutouts
  - The lock and strike type being used affects the astragal since cutouts are required for the lock front and strike lip. The notching for an ASA strike lip notch is provided.
  - The lock front must be shimmed to insure that the lock front seats flush with the astragal.
- This astragal can be used on both fire rated and non-rated doors.

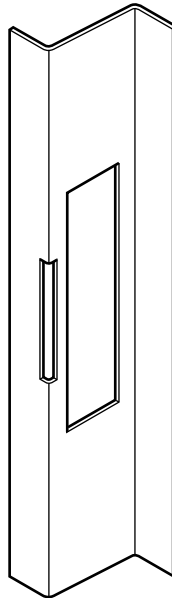
**Product availability**

This product option is available for Steelcraft L, SL, B, T, CE, and A14 Series doors. See the Fire Rated Products Section for application to Fire Rated doors.

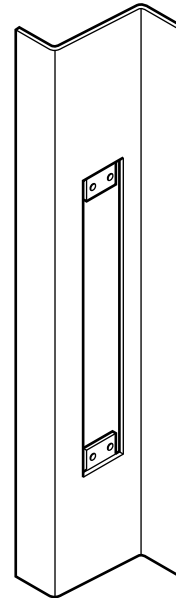
## Hardware preparations



**Strike Preparation**  
**INACTIVE LEAF**



**Lock Front & Strike Preparation**  
**ACTIVE LEAF**



**Flush Bolt Preparation**  
**INACTIVE LEAF**

### Purpose

Astragals are used to close the gap between pairs of doors. The astragal seals the opening from weather, light, and in some cases, sound. Security requirements dictate the appropriate application. Hardware applications determine the appropriate preparation(s).

### Application

- **Strike Preparations:** This is the conventional strike preparation in an astragal mounted to the inactive leaf. The astragal has mounting tabs pierced from the base metal. The tabs are drilled and tapped for the screws supplied by the hardware manufacturer (with the strike). The type of strike being used must be specified.
- **Lock Front & Strike Preparations:** This is the type of cutout required for an astragal that is mounted to the active leaf. The cutouts are clearance holes for the lock front. The notching for an ASA strike lip is provided as shown in the detail above.
- **Flush Bolt Preparations:** When mounted to the inactive leaf, the astragal is prepared at the top and the bottom for flush bolts (manual or automatic) when they are specified as the locking device for the inactive leaf. The preparation consists of tabs stamped out of the base metal. The tabs are drilled and tapped for the screws supplied by the flush bolt manufacturer. If surface bolts are used, this preparation is not required.

### Product availability

These hardware preparations are available in all Steelcraft Z-type astragals.