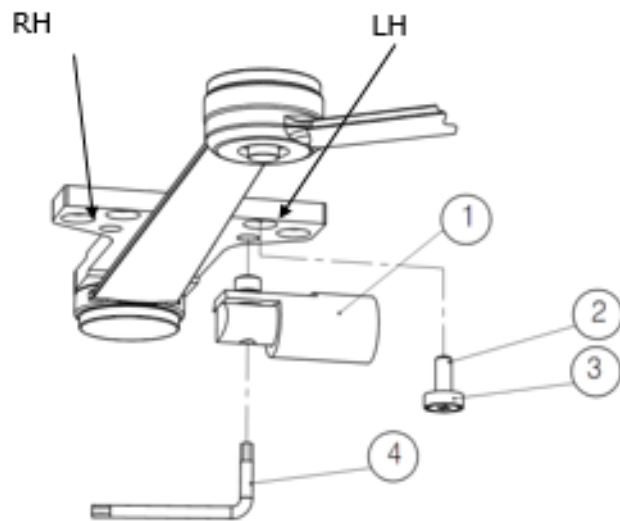
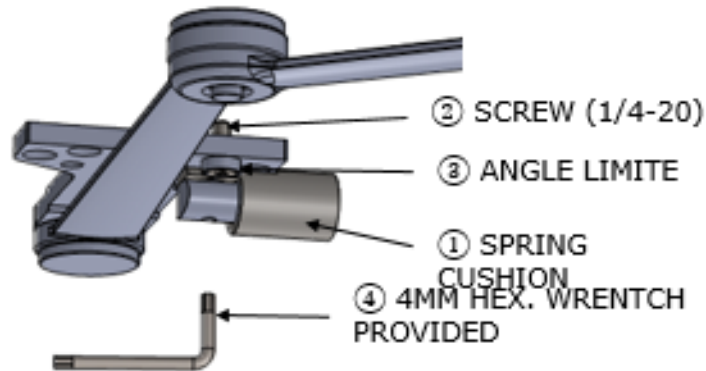


SPRING CUSHION INSTALLATION INSTRUCTION.

TOOLS REQUIRED FOR INSTALLATION

- #3 PHILLIPS SCREWDRIVER.
- 4MM HEX. WRENTCH(PROVIDED).



INSTRUCTION

1. REMOVE THE PARALLEL ARM BRACKET MOUNTING SCREW AND INSTALL THE ANGLE LIMITED.
2. USING THE 4MM HEX. WRENTCH PROVIDED IN THE SPRING CUSHION, SECURILY THREAD INTO THE THREADED HOLE IN THE ARM BRACKET.

SPRING CUSHION MUST BE ABLE TO MOVE FREELY WHEN INSTALLED.