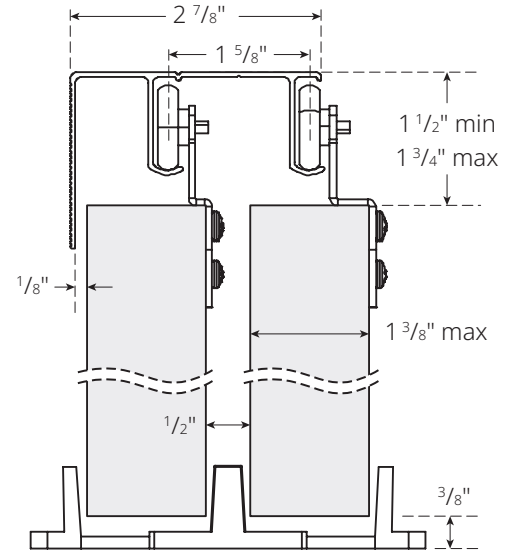


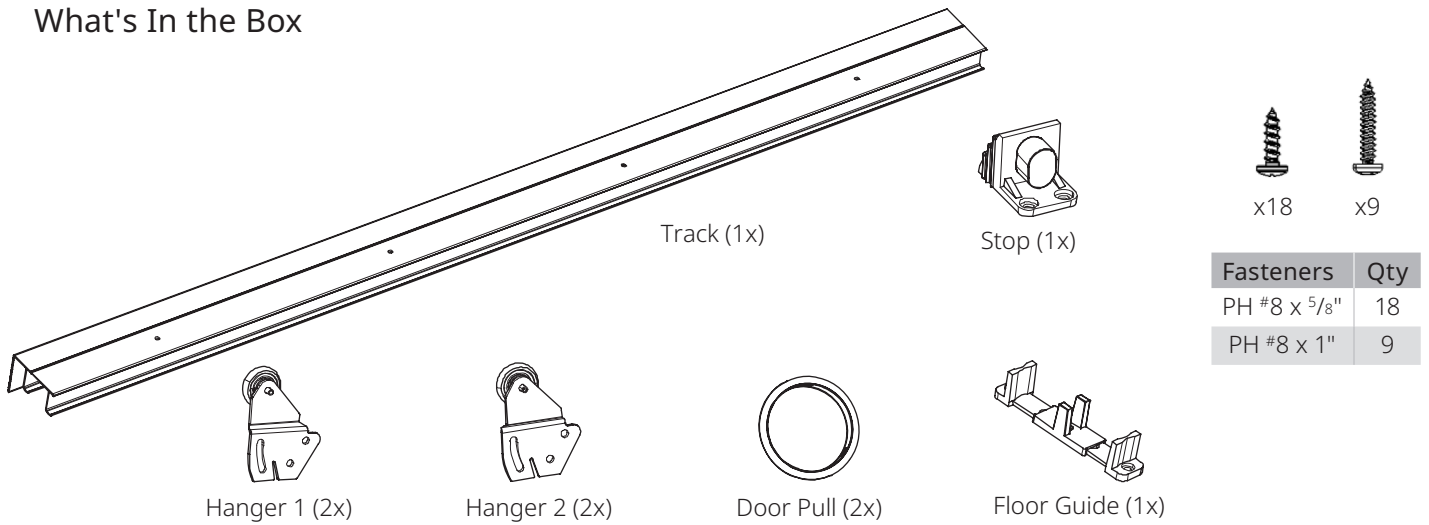
PEMKO LIGHTWEIGHT SLIDING SYSTEM - LBP75A

Experience a safer
and more open world

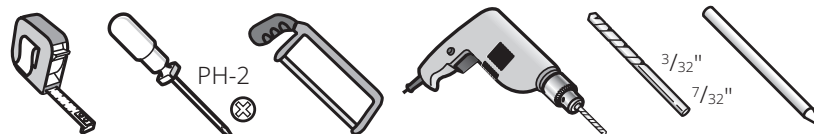
<u>Contents</u>	<u>Pg</u>
1. What is in the Box	1
2. Tools Required	1
3. Prepare and Install the Track	2
4. Prepare the Door	2
5. Install Floor Guide and Door Stop	3
6. Hanging the Door	3-4



1 What's In the Box



2 Tools Required

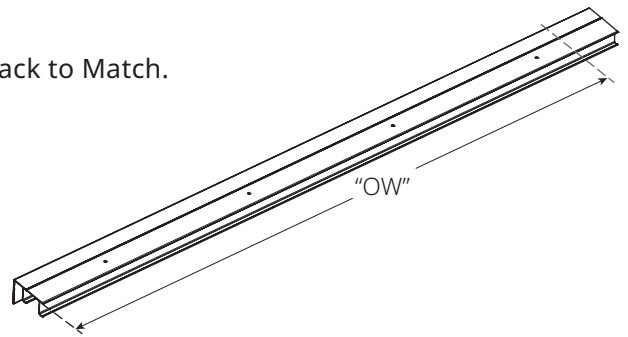
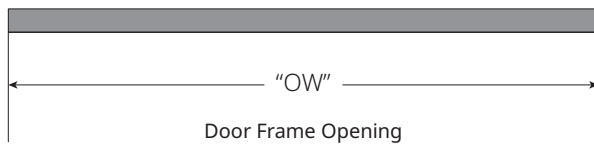


3. Prepare and Install the Track

3.1 Measure Door Frame Opening Width ("OW") and Cut Track to Match.

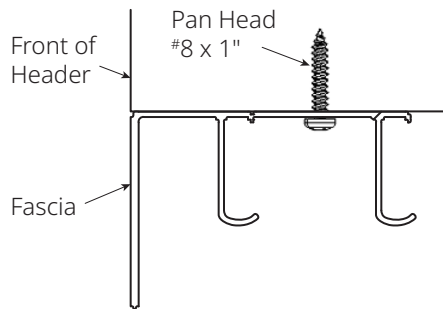
Cutting Instructions:

- At least 1 fastener per foot of track.
- Add a $\frac{7}{32}$ " hole as needed.



3.2 Align front of track fascia with front of header.

3.3 Install pan head #8 x 1" fasteners into track.



Track Length	Door Width
48"	2 @ 25" min.*
60"	2 @ 31" min.*
72"	2 @ 37" min.*
96"	2 @ 49" min.*

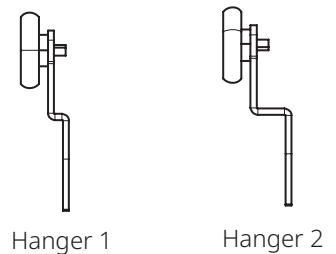
*Minimum door overlap is 2" for bypass system.

4. Prepare the Door

4.1 Hanger 1 will be installed on door closest to the track fascia (Door 1).

4.2 Hanger 2 will be installed on door closest to back of the track (Door 2).

*For single door application, use hanger 1.



4.3 Installing Hangers:

4.3.1 Position each hanger 1.5" from edge of door to outside edge of hanger.

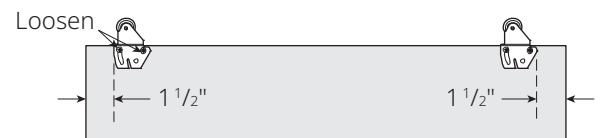
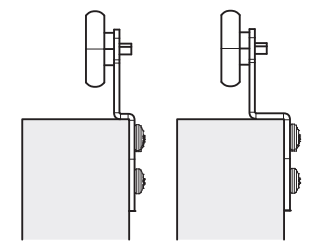
4.3.2 Install the hangers flush with the top of the door.

4.3.3 Using a $\frac{3}{32}$ " drill bit, mark and predrill top right hole and top of slot.

4.3.4 Use pan head #8 x $\frac{5}{8}$ " fasteners to secure each hanger to the door.

- Install top right fastener.
- Install top left fastener at the top of slot.
- Wait to install bottom fastener in case adjustments are needed.

4.3.5 Repeat steps 4.3.1-4.3.4 on second door.

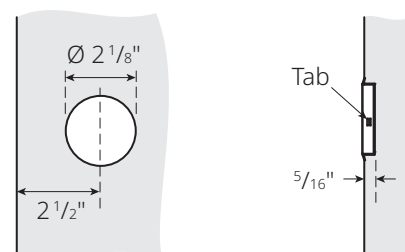


4.4 Install Door Pulls:

4.4.1 Prep leading edge of door per the dimensions shown to the right.

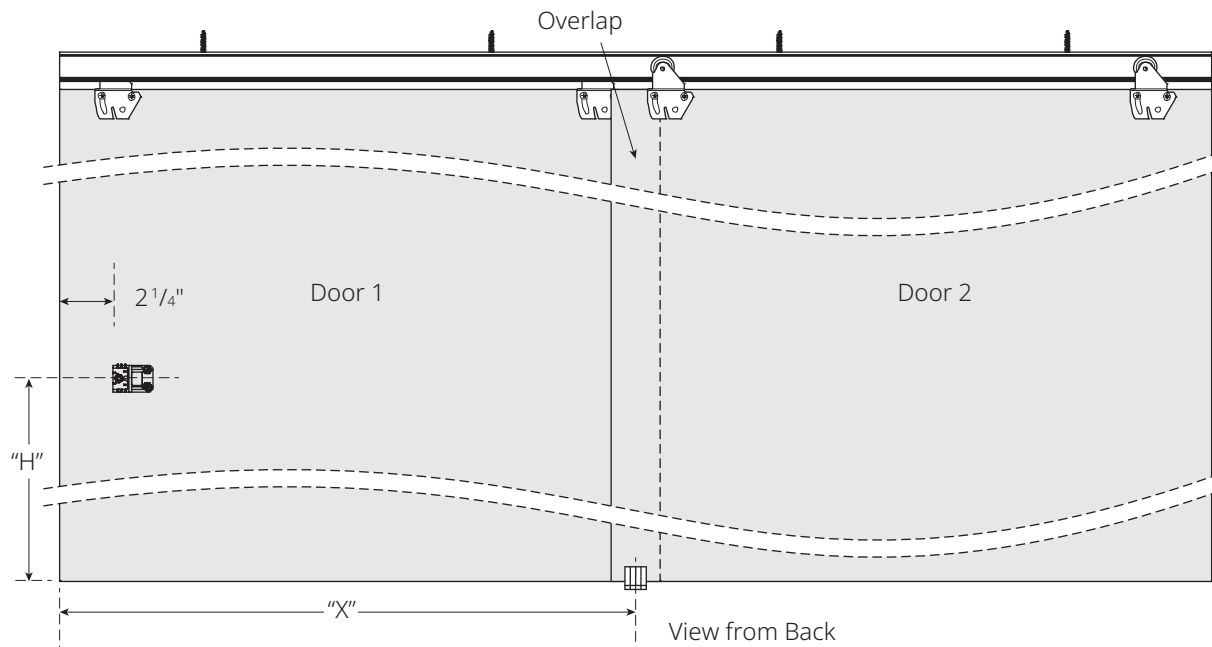
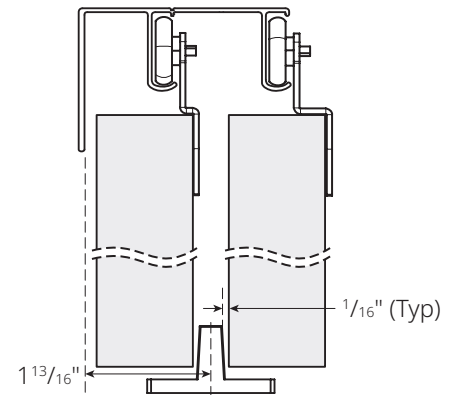
4.4.2 Insert pull into door prep.

*The small tabs around the perimeter of the pull will secure the pull to the door.



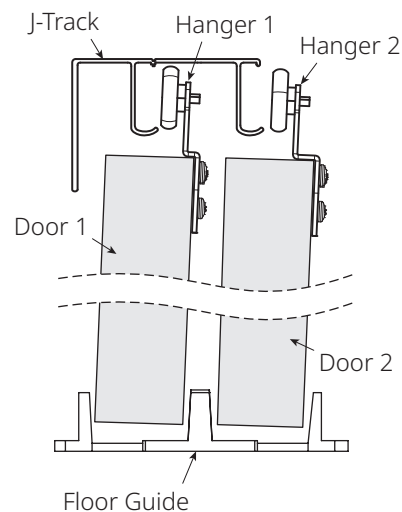
5. Install Center Floor Guide and Door Stop

- 5.1 Dimension "X" = opening width/2.
- 5.2 Mark floor guide center location based on front of fascia.
- 5.3 Min clearance between floor guide and door is $\frac{1}{16}$ " on each side.
- 5.4 Fasten center floor guide with (1) pan head #8 x $\frac{5}{8}$ " fasteners.
- 5.5 Install door stop (for bypass doors only):
 - 5.5.1 Door stop should be installed on the back of door 1.
 - 5.5.2 Dimension "H" = door height/2.
 - 5.5.3 Predrill using a $\frac{3}{32}$ " drill bit.
 - 5.5.4 Install door stop with (3) pan head #8 x $\frac{5}{8}$ " fasteners.



6. Hanging the Door

- 6.1 Lift door 2 at a slight angle.
- 6.2 Align door into floor guide as you insert the hanger wheel into the J-track as shown below.
- 6.3 Repeat for door 1 on J-track closest to fascia.
- 6.4 Connect outer sections of the floor guide, with a min of $\frac{1}{16}$ " spacing away from the door faces and fasten to the floor using (2) #8 x $\frac{5}{8}$ " fasteners; (1) per section.



The ASSA ABLOY Group is the global leader in access solutions. Every day, we help billions of people experience a more open world.

ASSA ABLOY Opening Solutions leads the development within door openings and products for access solutions in homes, businesses and institutions. Our offering includes doors, frames, door and window hardware, mechanical and smart locks, access control and service.

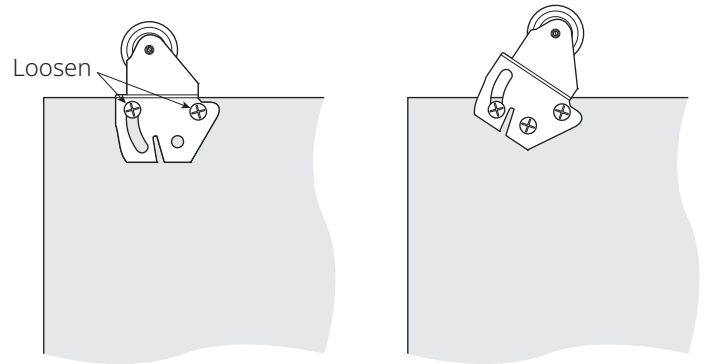
6.5 To adjust door height:

6.5.1 Loosen top right fastener and slotted fastener.

6.5.2 Rotate hanger to desire height and secure fastener in slotted section.

6.6 Mark and predrill last hole with $\frac{3}{32}$ " drill bit.

6.7 Tighten all fasteners.



*Ensure both doors are sliding freely with no excessive lateral movement. If adjustments are needed, adjust hangers or floor guide as needed.

Installation Complete

