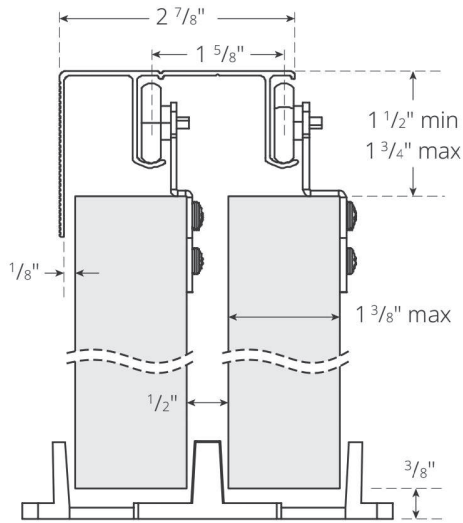


LBP75A LIGHTWEIGHT SLIDING SYSTEM



Configuration:

- By-passing

Installation:

- Overhead Mount

Features:

- Hanger body made of plated zinc alloy for durability and long life
- Fiberglass reinforced nylon wheels with sealed, zinc-plated bearings
- 75 lb. per panel capacity
- Meets ADA push and pull force requirements
- Aluminum track with built-in fascia
- Adjustable, modular nylon bottom guide accommodates doors up to 1-3/8" thick
- 5 yr warranty

LBP75A Kits Include:

- 1ea Aluminum Track with Fascia
- 4ea Hangers
- 1ea Floor Guide
- 1ea Door Stop
- 2ea Door pull

*For configurations with more than 2 doors, purchase of additional kits (LBP75PACK) is required.

Standard Kit Sizes		
PART NUMBER	TRACK LENGTH	DOOR WIDTH
LBP75A/4	48"	2 @ 25" MIN**
LBP75A/5	60"	2 @ 31" MIN**
LBP75A/6	72"	2 @ 37" MIN**
LBP75A/8	96"	2 @ 49" MIN**

**Minimum door overlap is 2"

Options:

- Hardware Kit (one door)
- Polypropylene Guide Rail
- Bottom Guide

LBP75PACK

- EPD3BL** for use with 102N
- 102N** – Mortise Guide