

# FLOOR CLOSER - GLASS

AXF-G

ALREX™

## Product Overview

Engineered for precision and simplicity, our Hydraulic Floor Closer offers smooth, reliable operation with no need for floor pockets or excavation. The adjustable base seat allows for easy positioning and alignment, while the sleek, integrated design enhances the look of any glass door. Made with high-quality materials for long-lasting durability, it's available in Hold-Open and Non-Hold Open models—perfect for both commercial and residential applications.



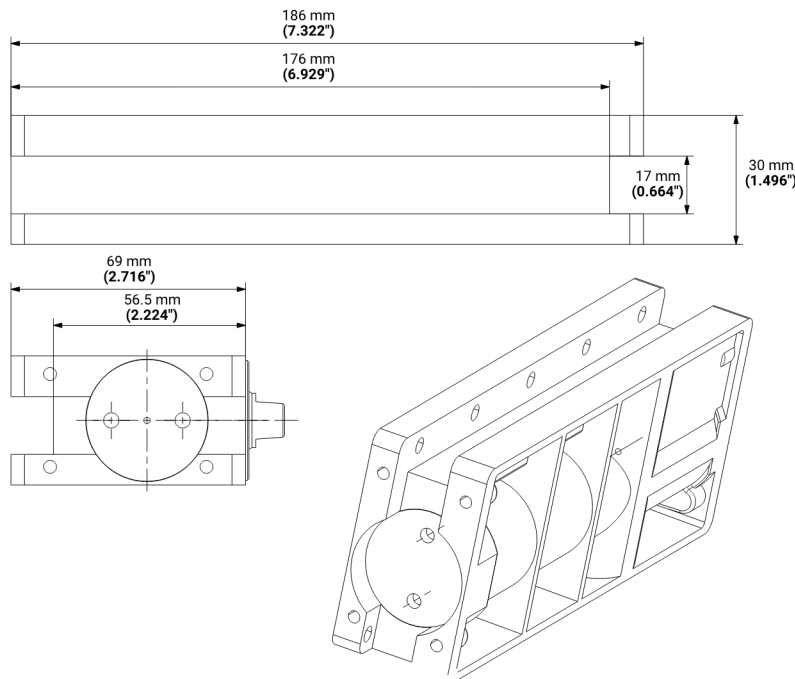
Satin Stainless  
(SS)



Matte Black  
(BL)

## Common Sets

Door Weight	Door Width
Up to 250 lbs	Up to 40"



## Features

- No floor pocket required ("no-dig" design)
- Hydraulic self-closing mechanism
- Adjustable base seat for precision alignment
- 90° hold-open or non-hold open options
- Compatible with 8–15 mm glass

## Applications

- Glass partitions
- Hotel suites
- Airport interior doors
- Retail storefronts

## Specifications

- Max Door Width: 3' 4"
- Max Door Weight: 250 lbs
- Opening Angle: Up to 130°
- Glass Thickness: 8 mm – 15 mm
- Hold-Open Option: 90°

Looking For More Product Information?  
Need Help On How To Order?

