

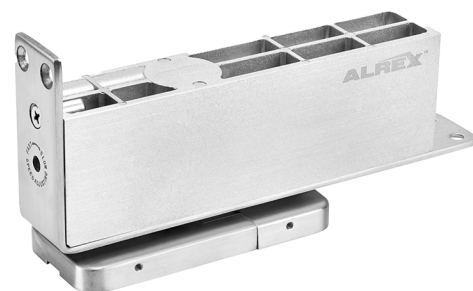
FLOOR CLOSER - WOOD/ALUMINUM

ALREX™

AXF-W

Product Overview

Engineered for precision and simplicity, our Hydraulic Floor Closer offers smooth, reliable operation with no need for floor pockets or excavation. The adjustable base seat allows for easy positioning and alignment, while the sleek, integrated design enhances the look of any wood or aluminum door. Made with high-quality materials for long-lasting durability, it's available in Hold-Open and Non-Hold Open models—perfect for both commercial and residential applications.



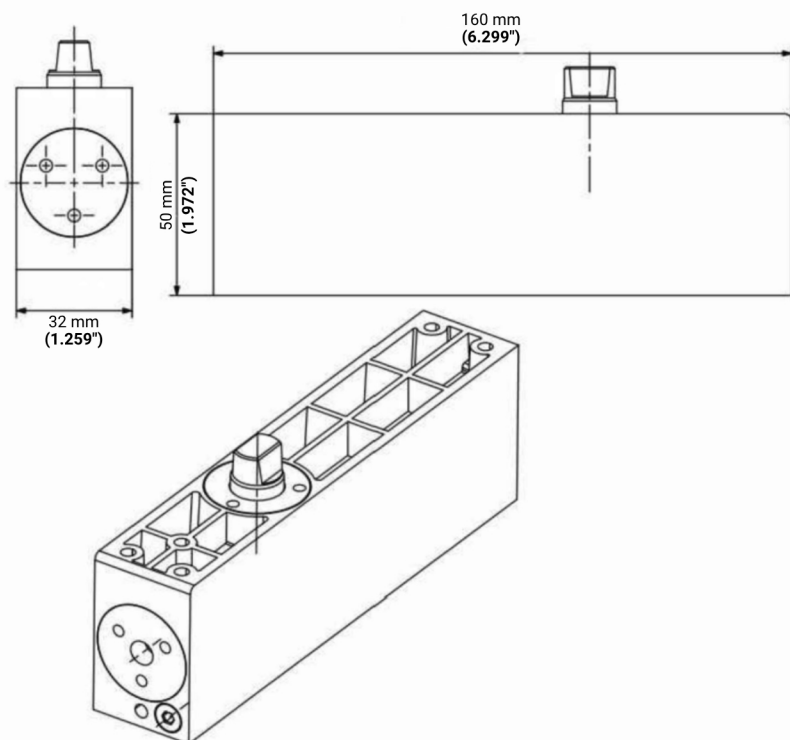
Common Sets

Door Weight

Up to 250 lbs

Door Width

Up to 40"


 Satin Stainless
(SS)

 Matte Black
(BL)

Features

- Surface-mounted design, no excavation needed
- Adjustable seat for custom positioning
- 90° hold-open or non-hold open models
- Works with wood/aluminum doors (min. 1 3/4" thickness)
- Supports up to 250 lbs

Applications

- Restaurants
- Hotel lobbies
- Office interiors
- Luxury homes

Specifications

- Max Door Width: 3' 4"
- Max Door Weight: 250 lbs
- Minimum Door Thickness: 1 3/4"
- Opening Angle: Up to 130°
- Hold-Open Option: 90°

Looking For More Product Information?
Need Help On How To Order?

