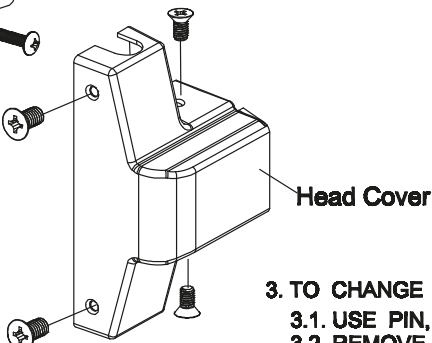
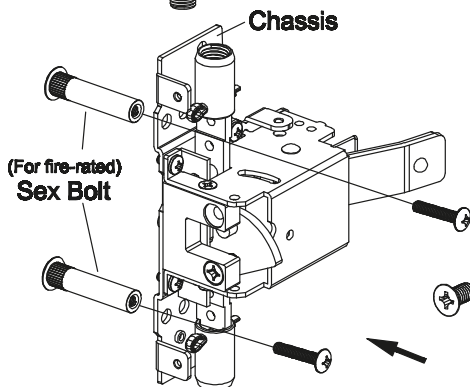
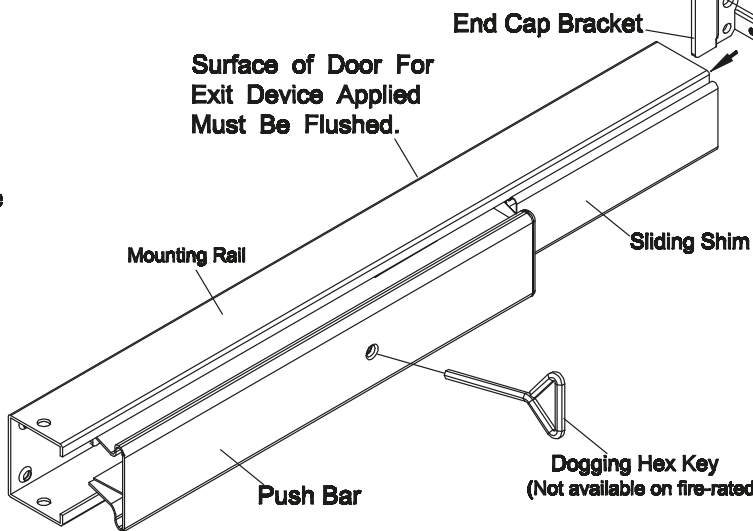
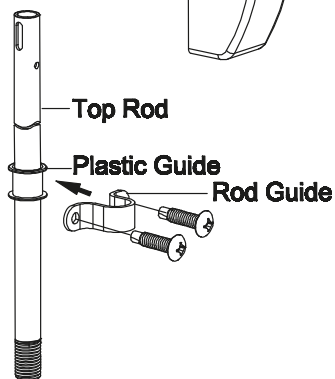
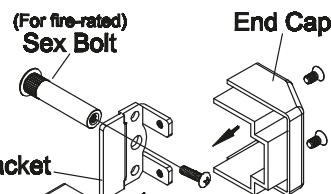
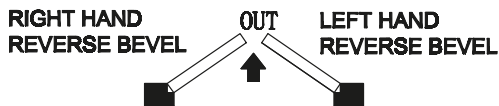
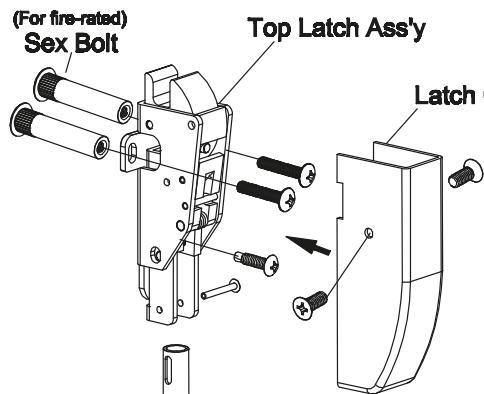


# INSTALLATION INSTRUCTIONS SURFACE VERTICAL ROD EXIT DEVICE

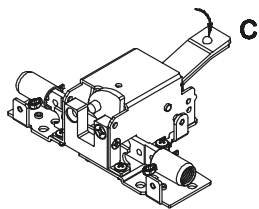
**\*\*BEFORE INSTALLING DEVICE, PLEASE CHECK:**

1. THE DOOR MUST BE HUNG & CORRECTLY FITTED.
2. SIZE OF EXIT DEVICE, FUNCTION AND DESIGN...
  - 2.1. 36" DOORS, CAN BE CUT TO FIT DOORS DOWN TO 30" WIDE.
  - 2.2. 48" DOORS, CAN BE CUT TO FIT DOORS DOWN TO 36" WIDE.
  - 2.3. HAND OF DEVICE, TRY IF APPLICABLE APPLICATION.

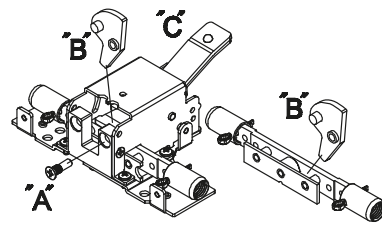


3. TO CHANGE THE HANDING OF DEVICE. (SEE FIG BELOW)
  - 3.1. USE PIN, 2-1/4" LONG, TO KNOCK OUT LIFT LEVER PIN.
  - 3.2. REMOVE LIFT LEVER AND REASSEMBLE OTHER END.

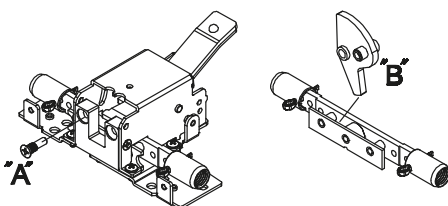
## TO CHANGE HAND OF DEVICE (FOR EXAMPLE: FROM LHR TO RHR)



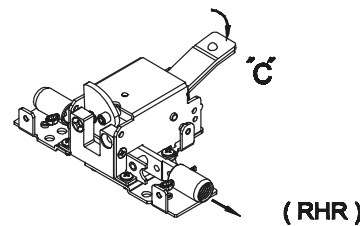
(LHR)  
PRESS LIFT ARM "C" AND ENSURE THE DIRECTION.



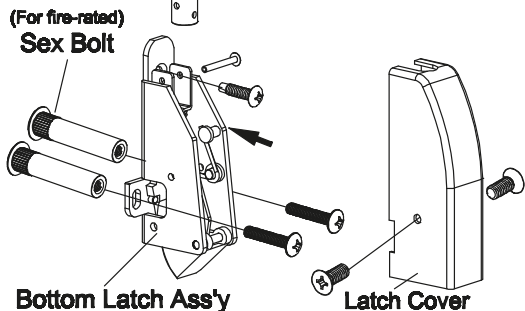
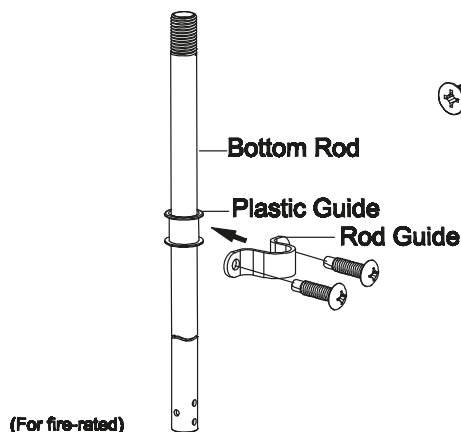
UNSCREW "A" AND TAKE OFF "B".



TURN "B" 180° AND PUT IT BACK AS FIGURE SHOWN THEN, FASTEN SCREW "A".



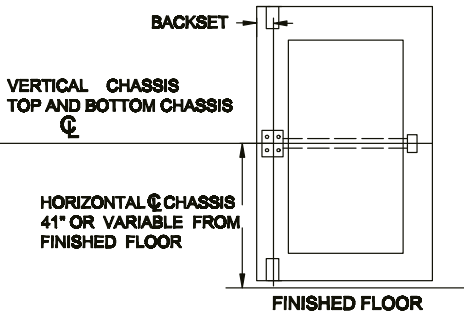
(RHR)  
OPERATE LIFT ARM "C" TO ENSURE THE PROCESSING DIRECTION IS REVERSED.



# 1. MARK VERTICAL AND HORIZONTAL REFERENCE LINE ON DOOR.

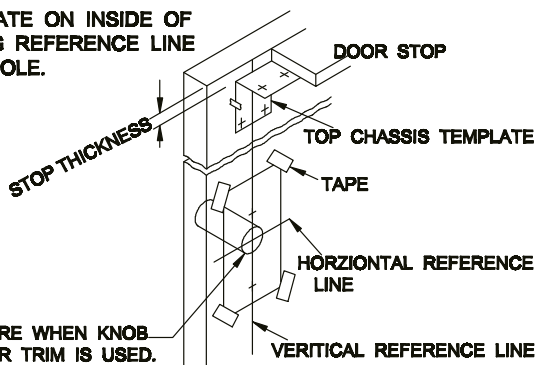
DETERMINE BACKSET TO LOCATE VERICAL REFERENCE LINE.

- A. IF LOCK STILE IS 4-1/2" WIDE OR WIDER BACKSET IS 2-3/4".
- B. IF LOCK STILE IS LESS THAN 4-1/2" WIDE, BACKSET IS HALF OF THE EXPOSED WIDTH OF LOCK STILE.



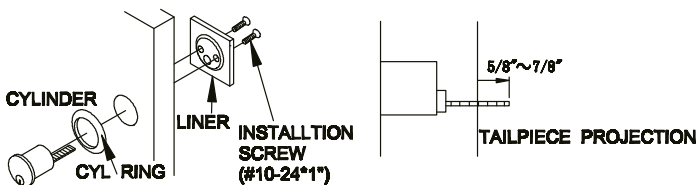
# 2. PREPARE DOOR

TAPE TEMPLATE ON INSIDE OF DOOR ALONG REFERENCE LINE AND DRILL HOLE.

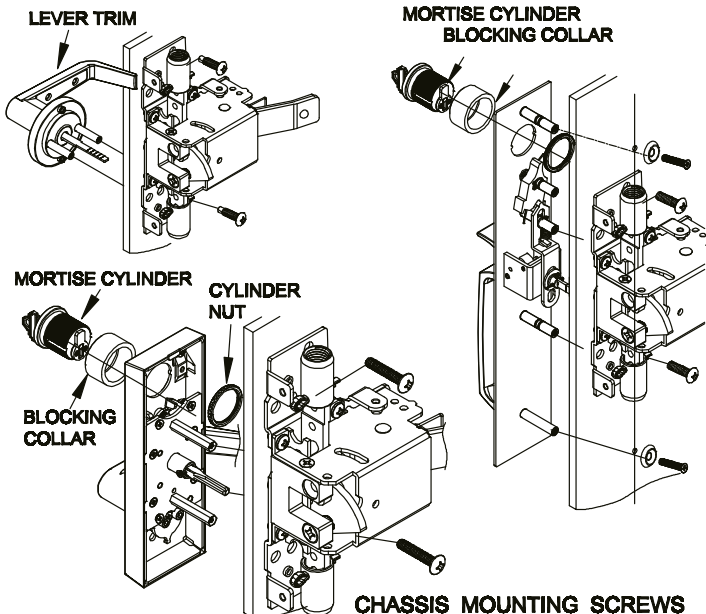


# 3. INSTALL CYLINDER

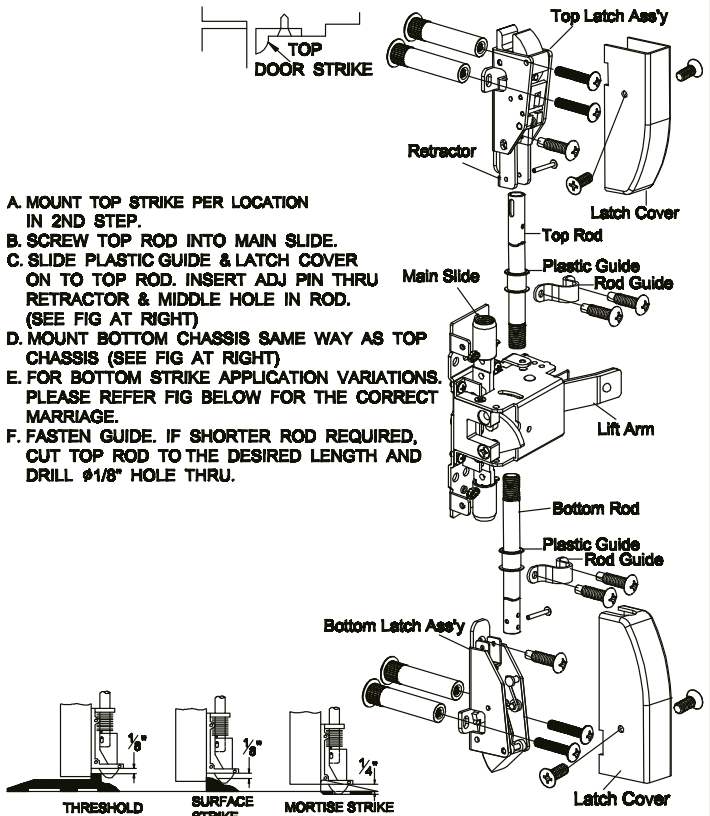
- A. INSERT THE CYLINDER THROUGH CYL RING THE HOLE ON THE DOOR.
- B. KEEP THE TAIL PIECE HORIZONTALLY.
- C. MOUNT LINER ON INSIDE OF DOOR AND
- D. TAILPIECE PROJECTION OVER INSIDE OF DOOR IS SUGGESTED IN THE RANGE "5/8"~7/8". IF NECESSARY, USE A PLIER TO BEND AND CUT THE DESIRED LENGTH.



# 3-1. APPLY TRIM + CHASSIS

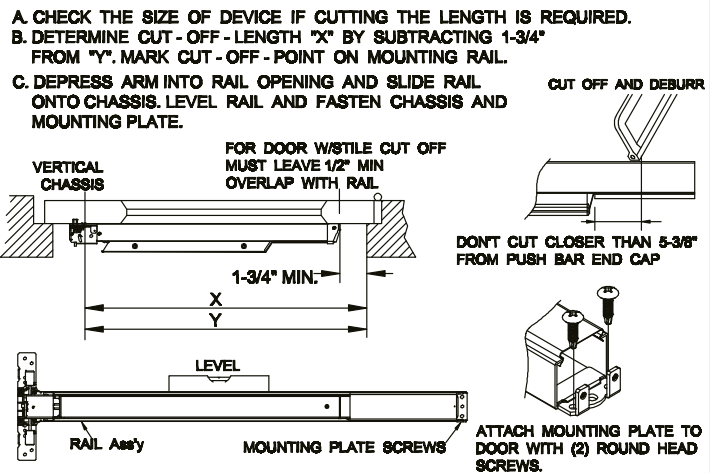


# 4. ATTACH TOP AND BOTTOM CHASSIS



- A. MOUNT TOP STRIKE PER LOCATION IN 2ND STEP.
- B. SCREW TOP ROD INTO MAIN SLIDE.
- C. SLIDE PLASTIC GUIDE & LATCH COVER ON TO TOP ROD. INSERT ADJ PIN THRU RETRACTOR & MIDDLE HOLE IN ROD. (SEE FIG AT RIGHT)
- D. MOUNT BOTTOM CHASSIS SAME WAY AS TOP CHASSIS (SEE FIG AT RIGHT)
- E. FOR BOTTOM STRIKE APPLICATION VARIATIONS. PLEASE REFER FIG BELOW FOR THE CORRECT MARRIAGE.
- F. FASTEN GUIDE. IF SHORTER ROD REQUIRED, CUT TOP ROD TO THE DESIRED LENGTH AND DRILL 1/8" HOLE THRU.

# 5. APPLY RAIL ASSEMBLY



# 6. APPLY COVERS

CHECK OPERATION OF DEVICE IS WELL PROCEEDED, AND FASTEN COVERS WITH SCREWS AS BELOW.

