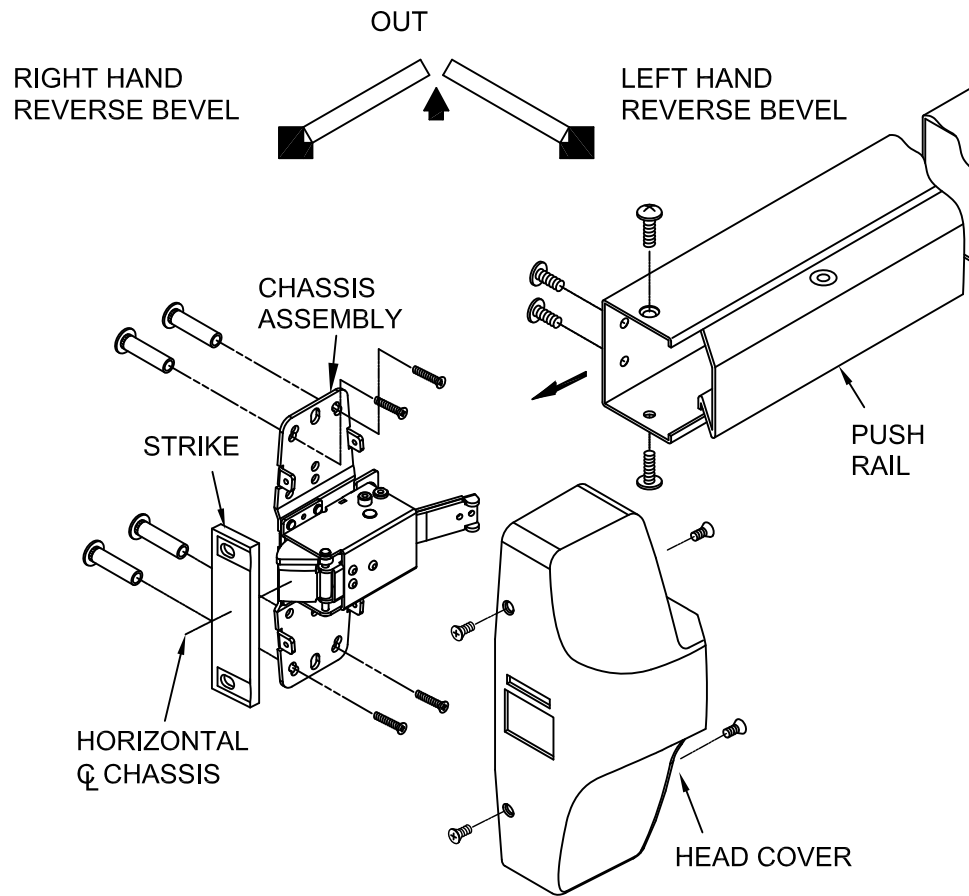


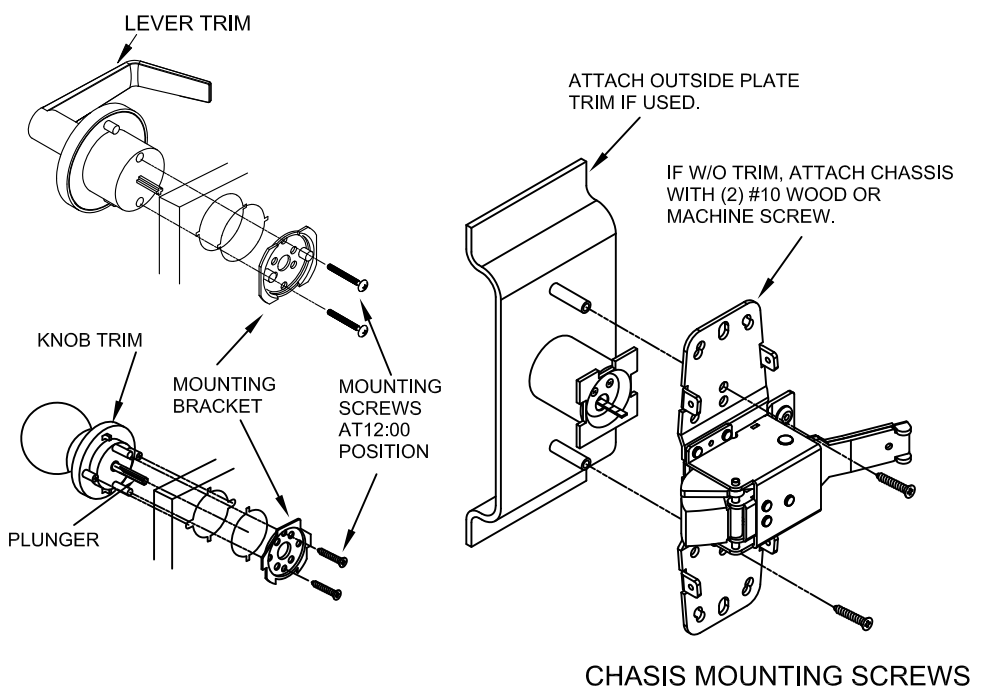
INSTALLATION INSTRUCTION FOR EDFR701 SERIES FIRE EXIT DEVICE

BEFORE INSTALLING DEVICE, PLEASE CHECK :

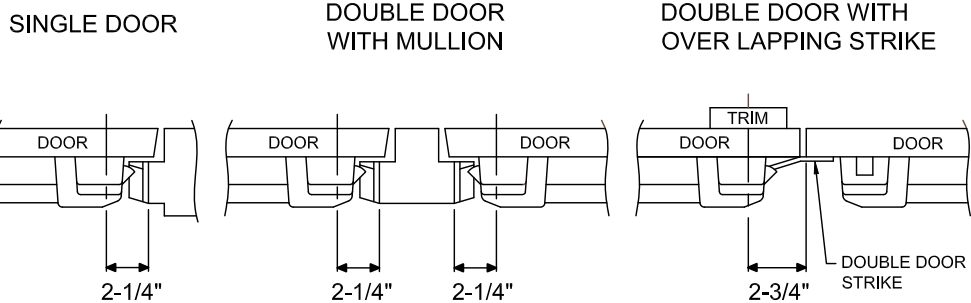
1. IF DOOR IS FITTED AND HUNG.
2. SIZE OF EXIT DEVICE, FUNCTION AND DESIGN...
 - 2.1. 36" DOORS, CAN BE CUT TO FIT DOORS DOWN TO 30" WIDE.
 - 2.2. 48" DOORS, CAN BE CUT TO FIT DOORS DOWN TO 36" WIDE.
 - 2.3. HAND OF DEVICE AGAINST APPLICATION.



2.3 INSTALL LEVER, OR KNOB, OR PULL TRIM



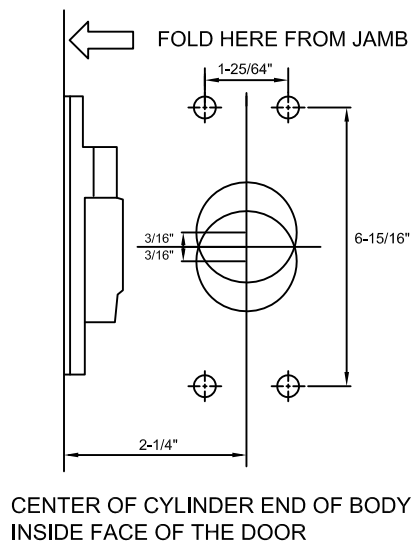
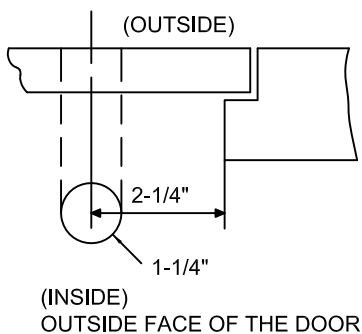
1. TYPE OF INSTALLATION



2. APPLY HARDWARE

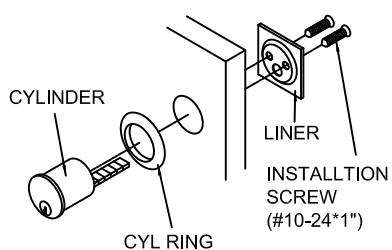
2.1 DRILL HOLES

MARK DOOR FACE AND DRILL HOLES IN ACCORDANCE WITH THE DIAMETERS SUGGESTED. SEE ATTACHED TEMPLATE

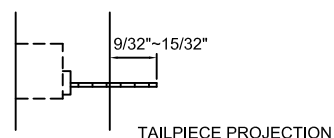


2.2 INSTALL CYLINDER

OUTSIDE FACE OF THE DOOR

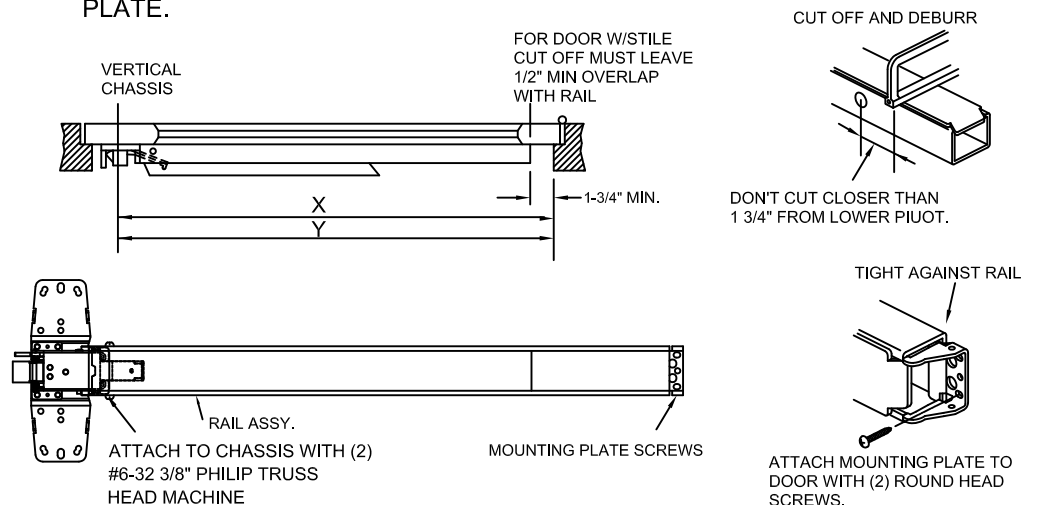


1. INSERT THE CYLINDER THROUGH CYL RING THE HOLE ON THE DOOR.
2. KEEP THE TAIL PIECE HORIZONTAL.
3. MOUNT LINER ON INSIDE OF DOOR AND
4. TAILPIECE PROJECTION OVER INSIDE OF DOOR IS SUGGESTED IN THE RANGE 9/32"~15/32". IF NECESSARY, USE A PLIER TO BEND AND CUT TO DESIRED LENGTH.



3. APPLY RAIL ASSEMBLE

1. CHECK THE SIZE OF DEVICE, IF CUTTING TO LENGTH IS REQUIRED.
2. DETERMINE CUT OFF LENGTH "X" BY SUBTRACTING 1 3/4" FROM "Y". MARK CUT OFF POINT ON MOUNTING RAIL.
3. DEPRESS ARM INTO RAIL OPENING AND SLIDE RAIL ONTO CHASSIS. LEVEL RAIL AND FASTEN CHASSIS AND MOUNTING PLATE.



4. APPLY COVER AND STRIKES

