

- **The Design:** These units feature a solid keypad face with NO cylinder hole.
- **The Advantage:** It is physically impossible to pick, bump, or drill a cylinder because there simply isn't one.
- **The Market:** Perfect for owners who want to eliminate key management entirely. It wipes out the recurring costs of lost keys and re-keying. It offers pure, high-security mechanical code access with zero physical vulnerabilities.

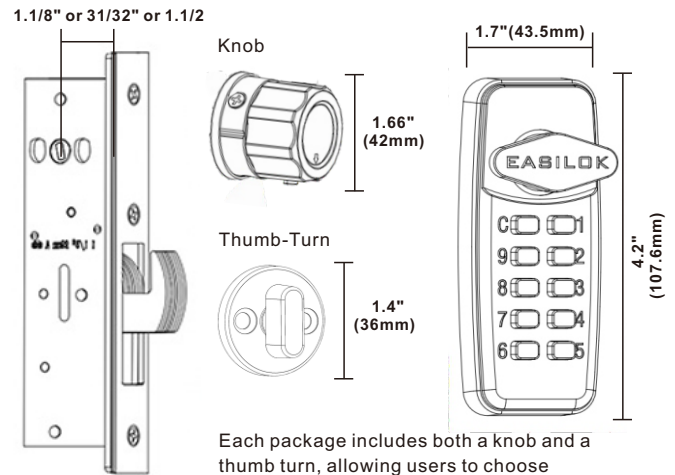
### 100% REPLACEMENT



### Compatible with the Adams Rite MS1850S

- 1: Purely Keyless;
- 2: Replace the Adams Rite Mortise;
- 3: DIY installation by DRILL free.

## DIMENSIONS



Each package includes both a knob and a thumb turn, allowing users to choose based on their preference.

### Specifications:

Product Name: Keyless Keypad Storefront Door Deadbolt

Model: SK1850

Function: Keyless Locking  
Keyless Unlocking

Finish: Lacquered

Bolts: Hookbolt/ Deadbolt

Material: Zinc Alloy + Iron Steel

Manufacture Process: Zinc Alloy Casting  
Iron Steel Stamping

Backset: 31/32"; 1-1/8"; 1-1/2"

Color: Black/Silver

Fit for Door Thickness: 1-3/8" to 1-3/4"

Cylinder: No

Warranty: 3 Years Mechanical Warranty

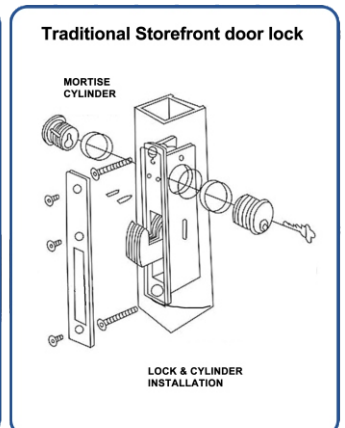
Installation Instruction: Included

### Installation is super easy only with a screwdriver

Use the Thumb-Turn or Knob (night-latch built-in) according to the door frame

1: The Adams Rite MS1850S Narrow stile storefront door lock required this installation because the indoor and outdoor cylinders were controlled separately.

2: Therefore, aligning the cylinder with the mortise was a blind process, and only professional locksmiths could perform the installation.



MAP: \$200