

# Premium Sliding Barn Door Hardware Set Design Kit

## Wood Type 1



### FEATURES:

- Designed for wood doors 1-3/4" & 1-3/8" thick  
Top-mounted hardware  
Door weight up to 176 pounds per door
- Materials:  
304 Stainless steel track  
304 Stainless steel carriers with nylon coated rollers
- Product Standards:  
Product designed and tested to follow ANSI Grade 1 Standards
- Finishes Available:  
Brushed stainless steel, dark bronze

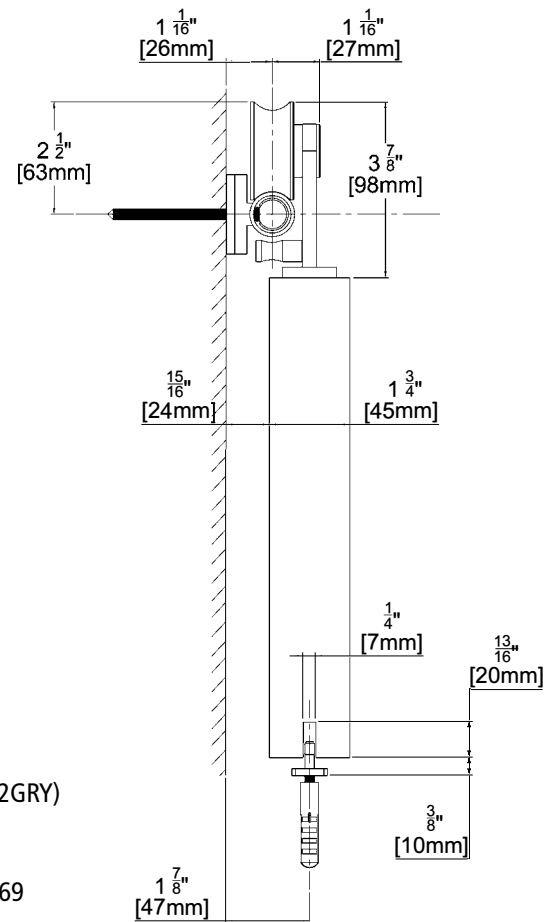
### Kits Include:

- 1 ea. Track with Wall Brackets
- 2 ea. Carriers (WDT1CARRIERSS / WDT1CARRIERDB)
- 2 ea. Track Stops (PREMSTOP03SS / PREMSTOP03DB)
- 1 ea. Door Bottom Guide (PREMFLGUIDE03SS / PREMFLGUIDE03BLK)
- 1 ea. Wall Mount Channel Door Guide (PREMFLGUIDE12BLK / PREMFLGUIDE12GRY)
- 1 ea. Installation Instructions

\*parts in parenthesis available for purchase if additional are needed, see pages 65-69

TEN YEAR LIMITED WARRANTY

ONE YEAR LIMITED WARRANTY ON FINISH



Door Type	Set Type	Size	Finish	Track Length	Door Width
WD	T1	06	SS	78-3/4"	36"
WD	T1	08	SS	98-7/16"	48"
WD	T1	06	DB	78-3/4"	36"
WD	T1	08	DB	98-7/16"	48"

Item	SS	DB
PREMSLDWDT106	•	•
PREMSLDWDT108	•	•

# Premium Sliding Barn Door Hardware Set Design Kit

## Wood Type 1 Soft Close



### FEATURES:

- Designed for Wood Doors 1-3/4" & 1-3/8" thick  
Top-mounted hardware  
Door weight up to 176 pounds per door
- Materials:  
304 Stainless steel track  
304 Stainless steel carriers with nylon Coated Rollers
- Product Standards:  
Product designed and tested to follow ANSI Grade 1 Standards
- Finishes Available:  
Brushed stainless steel

### Kits Include:

- 1 ea. Track with Wall Brackets
- 2 ea. Carriers (WDT1CARRIERSS)
- 2 ea. Track Stops (PREMSTOP03SS)
- 1 ea. Door Bottom Guide (PREMFLGUIDE03SS)
- 1 ea. Wall Mount Channel Door Guide (PREMFLGUIDE12GRY)
- 1 ea. Installation Instructions

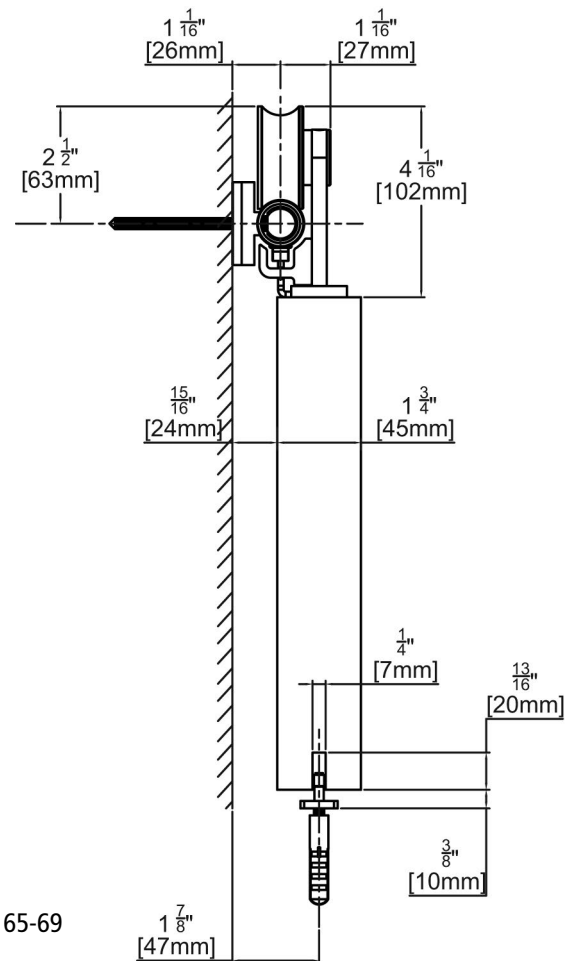
\*parts in parenthesis available for purchase if additional are needed, see pages 65-69

TEN YEAR LIMITED WARRANTY

ONE YEAR LIMITED WARRANTY ON FINISH

### Soft Close Mechanism

TWO YEAR LIMITED WARRANTY



Door Type	Set Type	Size	Finish	Track Length	Door Width
WD	T1SC	06	SS	78-3/4"	36"
WD	T1SC	08	SS	98-7/16"	48"

Item	SS
PRMSLDWDT106SC	•
PRMSLDWDT108SC	•

# Premium Sliding Barn Door Hardware Set Design Kit

## Wood Type 2



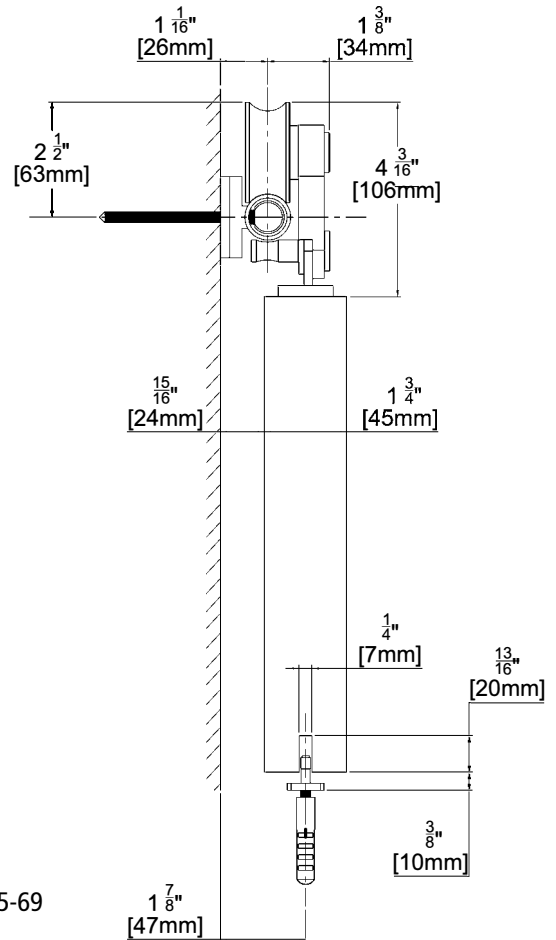
### FEATURES:

- Designed for Wood Doors 1-3/4" & 1-3/8" thick  
Top-mounted hardware  
Door weight up to 242 pounds per door
- Materials:  
304 Stainless steel track  
304 Stainless steel carriers with nylon coated rollers
- Product Standards:  
Product designed and tested to follow ANSI Grade 1 Standards
- Finishes Available:  
Brushed stainless steel

### Kits Include:

- 1 ea. Stainless steel track with stainless steel wall brackets
- 2 ea. Stainless steel carriers
- 2 ea. Stainless steel track stops (PREMSTOP07SS)
- 1 ea. Stainless steel door bottom guide (PREMFLGUIDE03SS)
- 1 ea. Wall mount channel door guide (PREMFLGUIDE12BLK)
- 1 ea. Installation instructions

\*parts in parenthesis available for purchase if additional are needed, see pages 65-69



TEN YEAR LIMITED WARRANTY

ONE YEAR LIMITED WARRANTY ON FINISH

Door Type	Set Type	Size	Finish	Track Length	Door Width
WD	T2	06	SS	78-3/4"	36"
WD	T2	08	SS	98-7/16"	48"

Item	SS
PREMSLDWDT206	•
PREMSLDWDT208	•

# Premium Sliding Barn Door Hardware Set Design Kit

## Wood Type 4



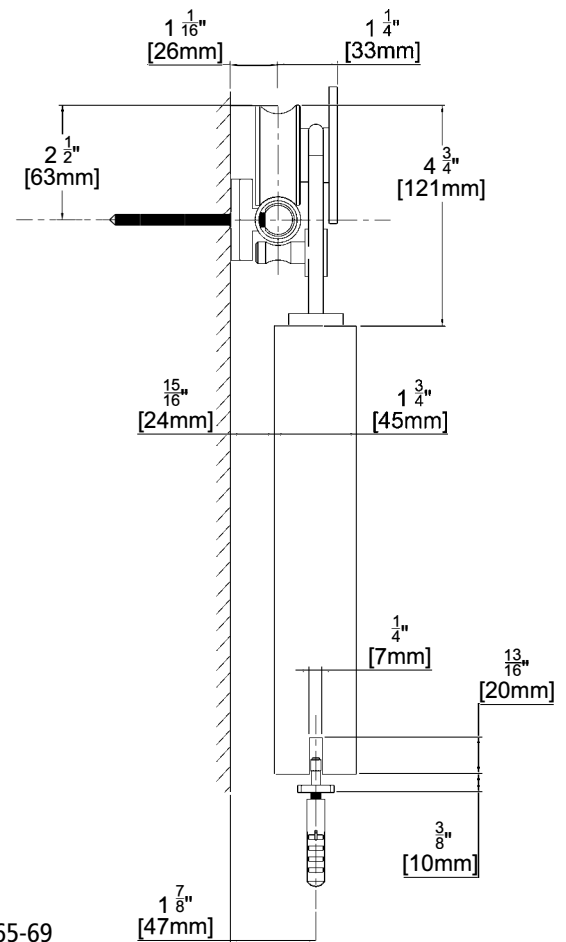
### FEATURES:

- Designed for Wood Doors 1-3/4" & 1-3/8" thick  
Top-mounted hardware  
Door weight up to 176 pounds per door
- Materials:  
304 Stainless steel track  
304 Stainless steel carriers with nylon coated rollers
- Product Standards:  
Product designed and tested to follow ANSI Grade 1 Standards
- Finishes Available:  
Brushed stainless steel

### Kits Include:

- 1 ea. Stainless steel track with stainless steel wall brackets
- 2 ea. Stainless steel carriers
- 2 ea. Stainless steel track stops (PREMSTOP24SS)
- 1 ea. Stainless steel door bottom guide (PREMFLGUIDE03SS)
- 1 ea. Wall mount channel door guide (PREMFLGUIDE12BLK)
- 1 ea. Installation instructions

\*parts in parenthesis available for purchase if additional are needed, see pages 65-69



TEN YEAR LIMITED WARRANTY

ONE YEAR LIMITED WARRANTY ON FINISH

Door Type	Set Type	Size	Finish	Track Length	Door Width
WD	T4	06	SS	78-3/4"	36"
WD	T4	08	SS	98-7/16"	48"

Item	SS
PREMSLDWDT406	•
PREMSLDWDT408	•

# Premium Sliding Barn Door Hardware Set Design Kit

## Wood Type 5



### FEATURES:

- Designed for wood doors 1-3/4" & 1-3/8" thick  
Top-mounted hardware  
Door weight up to 198 pounds per door
- Materials:  
304 Stainless steel track  
304 Stainless steel carriers with nylon coated rollers
- Product Standards:  
Product designed and tested to follow ANSI Grade 1 Standards
- Finishes Available:  
Brushed stainless steel  
Dark bronze

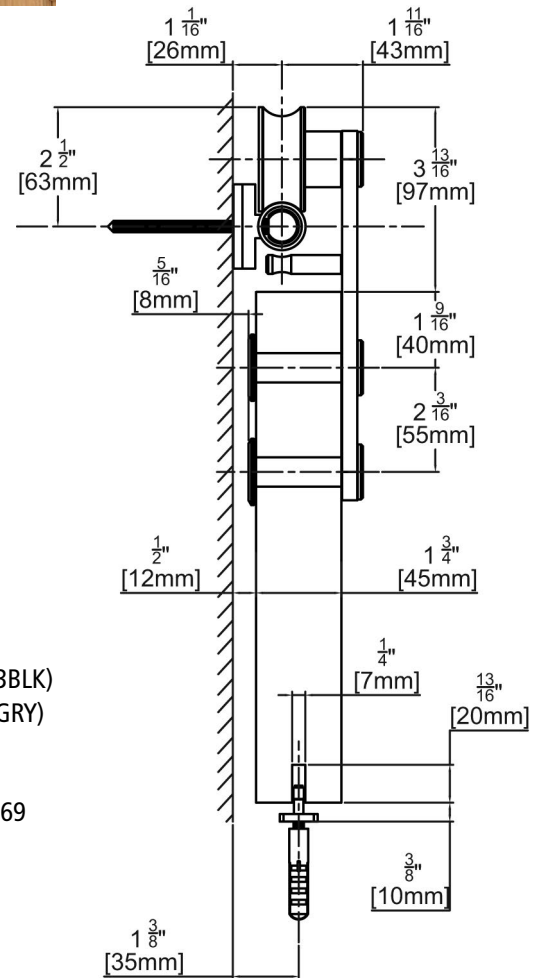
### Kits Include:

- 1 ea. Stainless steel track with stainless steel wall brackets
- 2 ea. Stainless steel carriers (WDT5CARRIERSS / WDT5CARRIERDB)
- 2 ea. Stainless steel track stops (PREMSTOP03SS / PREMSTOP03DB)
- 1 ea. Stainless steel door bottom guide (PREMFLGUIDE03SS / PREMFLGUIDE03BLK)
- 1 ea. Wall mount channel door guide (PREMFLGUIDE12BLK / PREMFLGUIDE12GRY)
- 1 ea. Installation instructions

\*parts in parenthesis available for purchase if additional are needed, see pages 65-69

TEN YEAR LIMITED WARRANTY

ONE YEAR LIMITED WARRANTY ON FINISH



Door Type	Set Type	Size	Finish	Track Length	Door Width
WD	T5	06	SS	78-3/4"	36"
WD	T5	08	SS	98-7/16"	48"
WD	T5	06	DB	78-3/4"	36"
WD	T5	08	DB	98-7/16"	48"

Item	SS	DB
PREMSLDWDT506	•	•
PREMSLDWDT508	•	•

# American Rustic Sliding Barn Door Hardware Kit

## Mini Industrial



### FEATURES:

- Kit Designed for use with 1-3/4" & 1-3/8" thick wood doors  
Door weight up to 286 pounds per door
- Color/Finish: Flat Black or Satin Nickel
- Wheel Type: Nylon
- Track & Hardware Kit is for 1 door
- Carriers mount to the face of the door
- Product Standards:  
Product designed and tested to follow ANSI Grade 1 Standards

36" Doors – Use 80" Track Kit

48" Doors – Use 104" Track Kit

Pair Doors – Use two kits along with track coupler

### Kits Include:

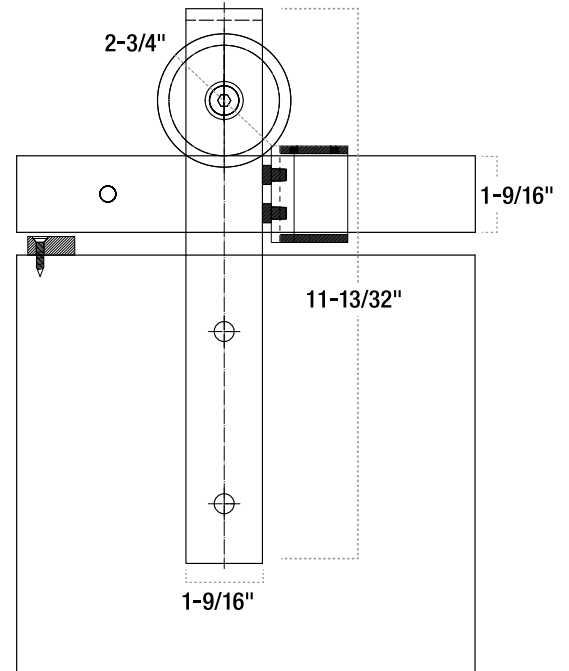
- 1 ea. Track pre-drilled for Mounting Hardware
- 2 ea. Carriers (MININDCARRIERBLK / MININDCARRIERSN)
- 2 ea. Stops (MSTOPPERBLK / MSTOPPERSN)
- 2 ea. Anti-Jump Discs (MANTIJUMPDISCBLK / MANTIJUMPDISCGRY)
- 1 ea. Floor Mounted Internal Guide (PREMFLGUIDE02BLK / PREMFLGUIDE02GRY)
- 1 ea. Wall Mount Channel Door Guide (PREMFLGUIDE12BLK / PREMFLGUIDE12GRY)
- 1 ea. Coupler (MINKITCOUPLERBLK / MINKITCOUPLERSN)
- Installation Instructions

\*parts in parenthesis available for purchase if additional are needed, see pages 65-69

Note: if installing into drywall, track will require proper reinforcement inside the wall or on the surface of the wall.

TWO YEAR LIMITED WARRANTY

ONE YEAR LIMITED WARRANTY ON FINISH



Item	Length	SN	BLK
MININDKIT80	80"	•	•
MININDKIT104	104"	•	•

# American Rustic Sliding Barn Door Hardware Kit

## Mini Modern



### FEATURES:

- Kit Designed for use with 1-3/4" & 1-3/8" thick wood doors  
Door weight up to 286 pounds per door
- Color/Finish: Silver
- Wheel Type: Nylon
- Track & Hardware Kit is for 1 door

36" Doors – Use 80" Track Kit

48" Doors – Use 104" Track Kit

Pair Doors – Use two kits along with track coupler

### Kits Include:

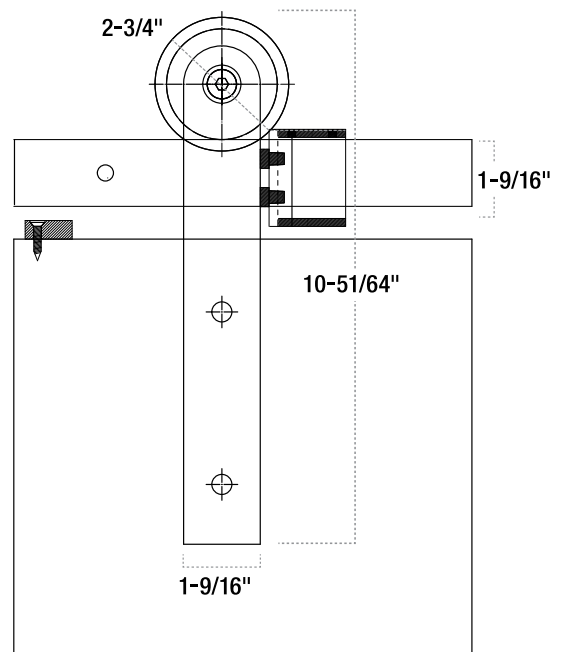
- 2 ea. Carriers
- 2 ea. Stops (MSTOPPERSLVR)
- 2 ea. Anti-Jump Discs (MANTIJUMPDISCGRY)
- 1 ea. Coupler (MINKITCOUPLERSLVR)
- 1 ea. Floor Mounted Internal Guide (PREMFLGUIDE02BLK)
- 1 ea. Wall Mount Channel Door Guide (PREMFLGUIDE12BLK)

\*parts in parenthesis available for purchase if additional are needed, see pages 65-69

Note: if installing into drywall, track will require proper reinforcement inside the wall or on the surface of the wall.

TWO YEAR LIMITED WARRANTY

ONE YEAR LIMITED WARRANTY ON FINISH



Item	Length	SL
MINMODKIT80	80"	•
MINMODKIT104	104"	•

# American Rustic Sliding Barn Door Hardware Kit

## Mini Ultra Modern



### FEATURES:

- Kit Designed for use with 1-3/4" & 1-3/8" thick wood doors  
Door weight up to 286 pounds per door
- Color/Finish: Flat Black
- Wheel Type: Nylon
- Track & Hardware Kit is for 1 door

36" Doors – Use 80" Track Kit

48" Doors – Use 104" Track Kit

Pair Doors – Use two kits along with track coupler

### Kits Include:

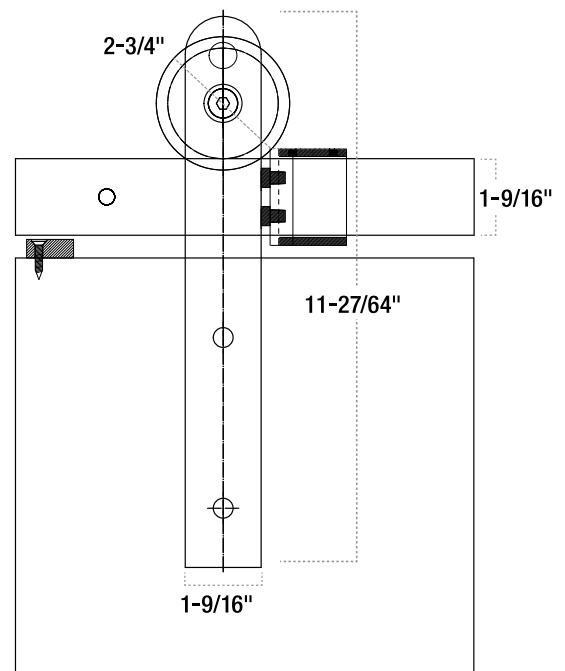
- 2 ea. Carriers (MINULTCARRIERBLK)
- 2 ea. Stops (MSTOPPERBLK)
- 2 ea. Anti-Jump Discs (MANTIJUMPDISCBLK)
- 1 ea. Coupler (MINKITCOUPLERBLK)
- 1 ea. Floor Mounted Internal Guide (PREMFLGUIDE02BLK)
- 1 ea. Wall Mount Channel Door Guide (PREMFLGUIDE12BLK)

\*parts in parenthesis available for purchase if additional are needed, see pages 65-69

Note: if installing into drywall, track will require proper reinforcement inside the wall or on the surface of the wall.

TWO YEAR LIMITED WARRANTY

ONE YEAR LIMITED WARRANTY ON FINISH



Item	Length	BLK
MINULTMODKIT80	80"	•
MINULTMODKIT104	104"	•

# DesignGlide Soft-Close Barn Door Sliding Door Hardware Kit – Satin Nickel



DesignGlide Soft-Close Barn Door Hardware can turn any standard-sized door into a barn door. No reframing or custom doors required. Create the doorway of your dreams with this easy to use patent-pending system. Our unique hardware is much more than functional, it adds a distinct touch to your barn door. And its versatile, whether you opt for modern or traditional, our hardware is the perfect accent.

## FEATURES:

- Install in 4 easy steps
- 72 in. track fits 36 in. x 80 in. x 1-3/8 in. doors up to 120 lbs.
- 84 in. track fits 42 in. x 80 in. x 1-3/8 in. doors up to 120 lbs.
- Soft-close technology also keeps the door from slamming shut
- Special doors or reframing not required
- Versatile hardware works with any style door
- Door slab not included
- 5-year limited warranty

## Kit includes:

- Track 72" track fits 36" x 80" x 1-3/8" doors up to 120 pounds  
84" track fits 42" x 80" x 1-3/8" doors up to 120 pounds
- Top-Mounted Rolling Hardware
- Accent Rails
- Larger Finger Pull (1-1/4 In.)
- All Fastening Hardware
- Accent Hardware (Pull)
- Backerboard
- Floor Stop



Item	Length	SN
DESIGNGLIDEHDWUS1572	72"	•
DESIGNGLIDEHDWUS1584	84"	•

# Sliding Barn Door Hardware – Accessories

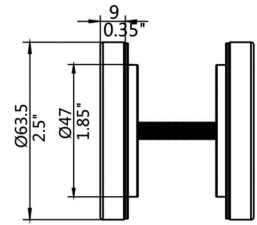
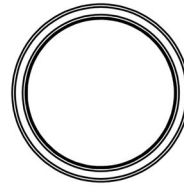
## Premium Pulls



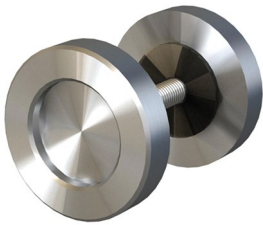
PREMPL711392WDSS



PREMPL711392WDBL



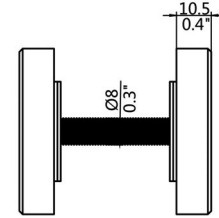
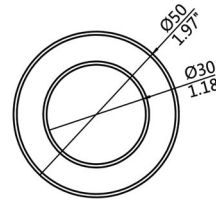
1-3/8" - 1-3/4"  
(35 - 45mm)



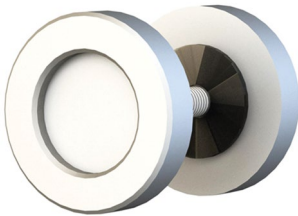
PREMPL711492WDSS



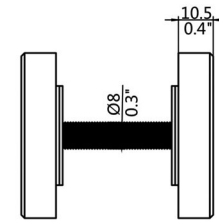
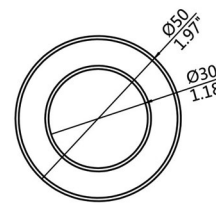
PREMPL711492WDBL



1-3/8" - 1-3/4"  
(35 - 45mm)



PREMPL711492WDAL



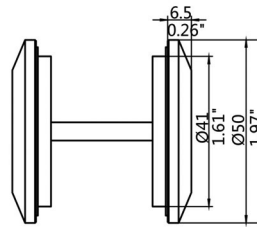
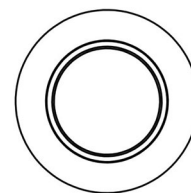
1-3/8" - 1-3/4"  
(35 - 45mm)



PREMPL711692WDSS



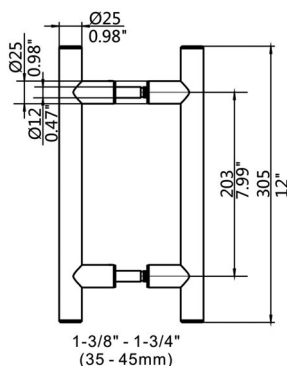
PREMPL711692WDBL



1-3/8" - 1-3/4"  
(35 - 45mm)



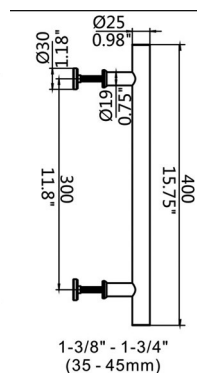
PREMPL700491WD



1-3/8" - 1-3/4"  
(35 - 45mm)



PREMPL708492WD



1-3/8" - 1-3/4"  
(35 - 45mm)

Item	SN	AL	BLK
PREMPULL711692WD	•		•
PREMPULL708492WD	•		•
PREMPULL711492WD	•	•	•
PREMPULL711392WD	•		
PREMPULL700491WD	•		•

# Sliding Barn Door Hardware – Accessories

## Rustic Pulls



**RSTCPL71HD03W**  
9-9/16" H x 1-3/16" W



**RSTCPL71HD05W**  
6-7/16" H x 1" W



**RSTCPL71HD06W**  
6-1/2" H x 2-1/16" W



**RSTCPL71HD11W**  
12-10/16" H x 2-3/8" W x 5/8" D



**RSTCPL71HD14W**  
13-3/4" H x 1-15/16" W  
x 9/16" D



**RSTCPL71HD16W**  
Pull Handle  
7-3/32" CTC  
11-13/16" H x 1-9/16" W x 1" D  
Finger Pull  
8-21/32" H x 2-23/64" W



**RSTCPL71HD17W**  
11" H

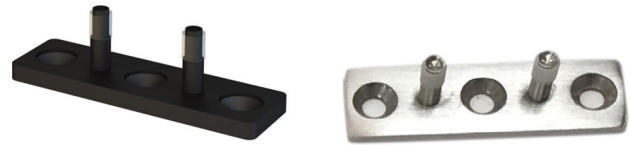
Item	SN	SS	BLK
RSTCPL71HD03W			•
RSTCPL71HD05W	•		•
RSTCPL71HD06W			•
RSTCPL71HD11W			•
RSTCPL71HD14W			•
RSTCPL71HD16W		•	•
RSTCPL71HD17W			•

# Sliding Barn Door Hardware – Accessories

## Guides



**Floor Mounted Internal Guide**  
Black or Gray POM Material  
PREMFLGUIDE02



**Floor Mounted Guide**  
Black or Stainless Steel  
PREMFLGUIDE03



**Floor Mounted Internal Guide**  
Dark Bronze or Stainless Steel  
PREMFLGUIDE04



**U Shaped Floor Mounted Guide**  
Black POM Material  
PREMFLGUIDE07



**Steel Wall Mounted Channel Guide - 1-3/8" Only**  
PREMFLGUIDE09



**Wall Mount Floor Guide**  
Black or Gray POM Material  
PREMFLGUIDE12



**Wall Mounted Internal Guide**  
Dark Bronze or Stainless Steel Bracket / POM Guide  
PREMFLGUIDE17



**Wall Mounted Internal Guide**  
Dark Bronze or Stainless Steel  
PREMFLGUIDE18

Item	GY	SS	DB	BLK
PREMFLGUIDE02	•			•
PREMFLGUIDE03		•		•
PREMFLGUIDE04		•	•	
PREMFLGUIDE07				•
PREMFLGUIDE09			•	
PREMFLGUIDE12	•			•
PREMFLGUIDE17		•	•	
PREMFLGUIDE18		•	•	

# Sliding Barn Door Hardware – Accessories

Misc.



**Premium Track Connector**  
PREMCONNECTOR



**Premium End Cap**  
PREMENDCAP



**Premium Clamp Fixture**  
PREMCLAMPFIX08



**Premium Track Stop**  
PREMSTOP03



**Premium Track Stop**  
PREMSTOP07



**Premium Track Stop**  
PREMSTOP24



**Barn Door Latch**

(Pictured: BRNDRLATCH722092SS)



**Premium Spacer Bracket**  
adds 1/4" clearance  
PREMSPACERBRKT

Item	SS	DB	BLK
PREMCONNECTOR	•	•	
PREMENDCAP	•	•	
PREMCLAMPFIX08	•	•	
PREMSTOP03	•	•	
PREMSTOP07	•	•	
PREMSTOP24	•	•	
BRNDRLATCH722092	•		
BRNDRLATCH722126			•
PREMSPACERBRKT	•		•

# Sliding Barn Door Hardware – Accessories

Misc.



**Mini/Rustic Field Installable Soft-Close Mechanism**  
(sold as pair)  
MINSOFTCLOSE



**Anti Jump Disc**  
MANTIJUMPDISC



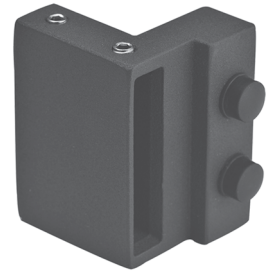
**Spacer Bracket**  
MINISPACERADJBRKT  
(for mini series)  
adjusts from 1-3/4" – 2-1/2"



**Standoff**  
MSTANDOFF



**Coupler**  
MINKITCOUPLER



**Stopper**  
MSTOPPER

## Carriers



**WDT1CARRIER**  
(shown in SS)



**WDT5CARRIER**  
(shown in SS)



**MINULTCARRIER**  
(shown in BLK)



**MININDCARRIER**  
(shown in BLK)

Item	GY	SL	BLK
MINSOFTCLOSE	•		•
MANTIJUMPDISC	•		•
MINISPACERADJBRKT		•	•

Item	SN	SL	BLK
MSTANDOFF	•	•	•
MINKITCOUPLER	•	•	•
MSTOPPER	•	•	•

Item	Series	SN	SS	DB	BLK
WDT1CARRIER	PREMIUM		•	•	
WDT5CARRIER	PREMIUM		•	•	
MINULTCARRIER	AMERICAN RUSTIC				•
MININDCARRIER	AMERICAN RUSTIC	•			•