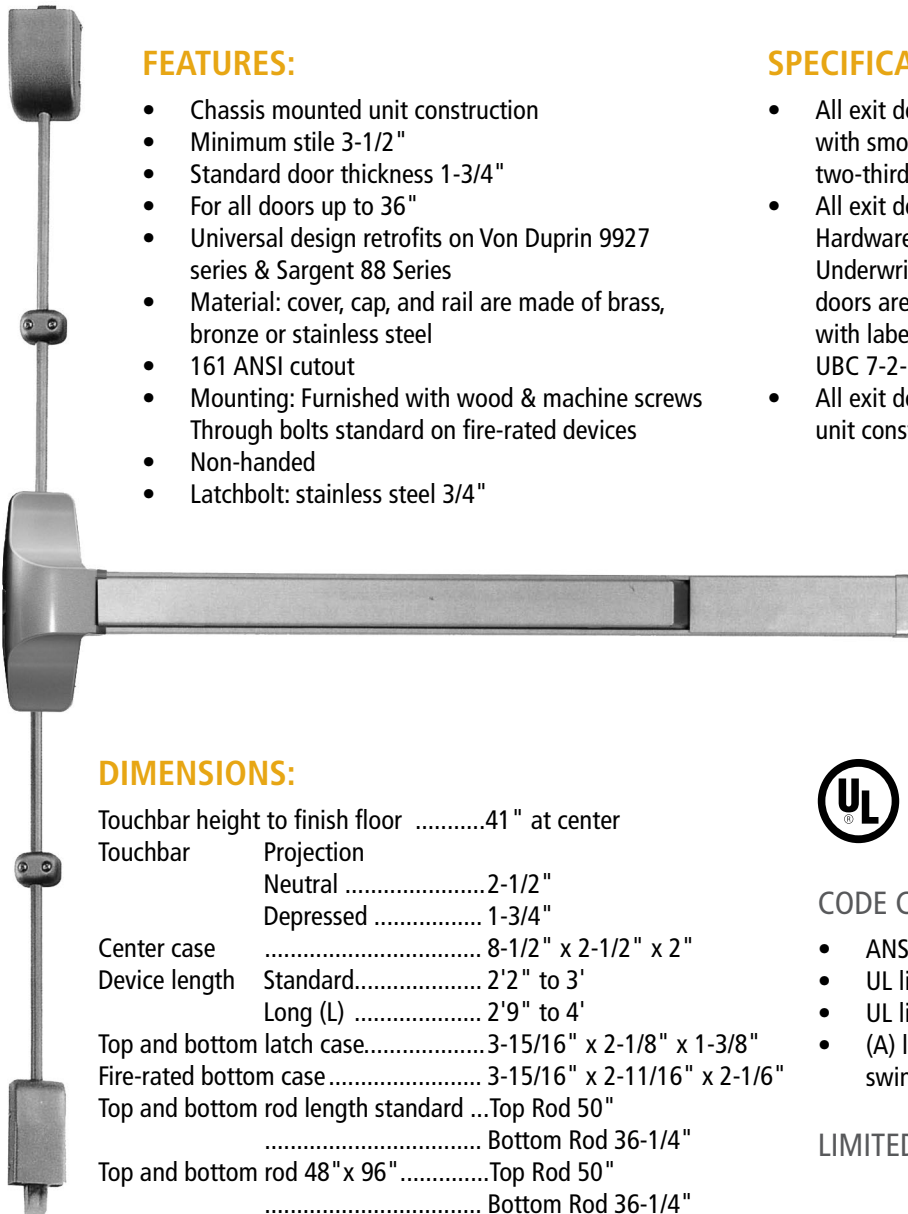


Heavy Duty Grade 1 Vertical Rod Exit Device

EDV701 (Standard)

EDFV701 (Fire-Rated)



FEATURES:

- Chassis mounted unit construction
- Minimum stile 3-1/2"
- Standard door thickness 1-3/4"
- For all doors up to 36"
- Universal design retrofits on Von Duprin 9927 series & Sargent 88 Series
- Material: cover, cap, and rail are made of brass, bronze or stainless steel
- 161 ANSI cutout
- Mounting: Furnished with wood & machine screws Through bolts standard on fire-rated devices
- Non-handed
- Latchbolt: stainless steel 3/4"

SPECIFICATIONS:

- All exit devices shall be of touch bar design with smooth operation and be operative over two-thirds of the door's clear opening width.
- All exit devices must be listed under "Panic Hardware" in the Accident Equipment List of Underwriter's Laboratories, Inc. Where labeled doors are used as exits, they must be equipped with labeled Fire Exit Hardware and UL 10C, UBC 7-2-1997 codes.
- All exit devices shall be of chassis mounted unit construction.

DIMENSIONS:

Touchbar height to finish floor41" at center
Touchbar Projection	
Neutral2-1/2"
Depressed1-3/4"
Center case8-1/2" x 2-1/2" x 2"
Device length	Standard.....2'2" to 3'
	Long (L)2'9" to 4'
Top and bottom latch case.....	3-15/16" x 2-1/8" x 1-3/8"
Fire-rated bottom case.....	3-15/16" x 2-11/16" x 2-1/6"
Top and bottom rod length standard	...Top Rod 50"
Bottom Rod 36-1/4"
Top and bottom rod 48" x 96"Top Rod 50"
Bottom Rod 36-1/4"



CODE COMPLIANCE:

- ANSI A165.3, Grade 1
- UL listed for Panic and UL 10C, UBC 7-2-1997 codes
- UL listed for Fire Exit Hardware 3-Hours
- (A) label rating on pairs of doors up to 8'0" x 8'0" swinging in same or opposite directions

LIMITED LIFETIME WARRANTY

OPTIONS:

- Stocked 48" x 96" length, specify "L" in item #
- Available different functions
- Covers 161 cutout.
- Alarm Kit available for 3' & 4' applications
- Glass Bead Kits available

Compatible trim options available (see page 25)

Item	Style	10B	US28	US32D	BLK
EDV701	Vertical Rod - 36"	•	•	•	•
EDV701L	Vertical Rod - 48"	•	•	•	
EDFV701	Fire-Rated Vertical Rod - 36"	•	•	•	•
EDFV701L	Fire Rated Vertical Rod - 48"	•	•	•	•
EDCVM701	Concealed Vertical Rod (Metal)	•		•	
EDFCVW701	Concealed Vertical Rod (Wood)	•		•	

Heavy Duty Grade 1 Vertical Rod – Less Bottom Rod

EDFV701 x LBR (Fire-Rated)

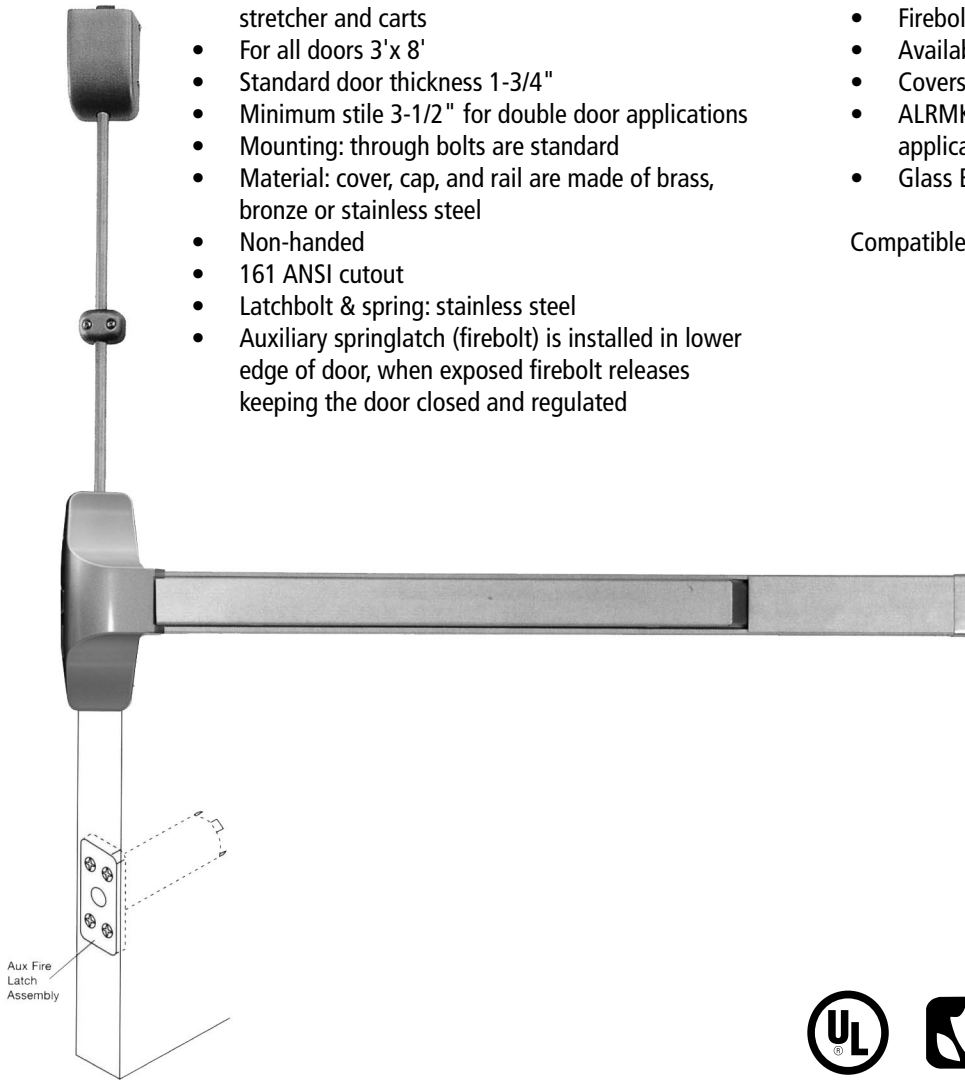
FEATURES:

- LBR No bottom strike. Free access for wheelchairs, stretcher and carts
- For all doors 3' x 8'
- Standard door thickness 1-3/4"
- Minimum stile 3-1/2" for double door applications
- Mounting: through bolts are standard
- Material: cover, cap, and rail are made of brass, bronze or stainless steel
- Non-handed
- 161 ANSI cutout
- Latchbolt & spring: stainless steel
- Auxiliary springlatch (firebolt) is installed in lower edge of door, when exposed firebolt releases keeping the door closed and regulated

OPTIONS:

- Stocked 48" x 96" length, specify "L" in item #
- Firebolt separate part number FB385
- Available different functions
- Covers 161 cutout
- ALRMKIT700 Alarm Kit available for 3' & 4' applications
- Glass Bead Kits available

Compatible trim options available (see page 25)



DIMENSIONS:

- Touchbar height to finished floor..... 41" at center
- Touchbar Projection
 - Neutral 2-1/2"
 - Depressed 1-3/4"
- Center case 8-1/2" x 2-1/2" x 2"
- Device length Short 3' 2'2" to 3'
- Long 4' 2'9" to 4'
- Panic grade top latch case..... 3-15/16" x 2-1/8" x 1-3/8"
- Fire grade top latch case..... 3-15/16" x 2-11/16" x 2-1/16"
- Top rod length for 36" x 84" doors ... Top rod 50"
- Top rod length for 48" x 96" doors ... Top rod 50"
- Vertical rod 1/2" Round tubing



CODE COMPLIANCE:

- ANSI A165.3, Grade 1
- UL & ULC listed. LBR series for fire exit hardware for all types of 8' x 8' double doors including double egress for up to 3-hour metal, 2-hour wood doors fire labeled installations. Conforms to standard UL 1DC, UBC 7-2-1997 codes.

LIMITED LIFETIME WARRANTY

Item	Style	US32D	BLK
EDFV701LBR	Less bottom rod	•	•

Exit Device Trim

700 Series – Escutcheon Lever Design

FEATURES:

- Grade 1, through bolted design, clutch, freewheeling lever. Non-handed design. Easily field reversible.
- Hardened steel, heavy duty tailpiece. Available for fire and non fire-rated rim and vertical rod exit devices.
- 1-1/8" mortise cylinder, C-keyway, standard
- Door thickness 1-3/4"
- Escutcheon dimensions: 2-5/16" width x 8-1/2" length, lever 4-3/4"
- Fits & covers 2-1/8" 161 cutout
- Escutcheon dimensions for CVR trim: 2-5/16" width x 8-1/2" length



ETL Saturn 26D

(also available with Sparta lever)

FUNCTIONS:

Entry (L)	ETL Key locks and unlocks	ANSI 13
Passage (BE)	ETLBE Always operable (no cylinder)	ANSI 15
Dummy (DT)	ETLDT Dummy trim	ANSI 10
Store Room (NL)	ETLNL Key retracts latchbolt	ANSI 04

Item	Saturn 10B	Saturn 26D	Saturn BLK	Sparta 10B	Sparta 26D
ETL	•	•	•	•	•
ETLBE	•	•	•	•	•
ETLDT	•	•	•	•	•
ETLNL	•	•	•	•	•
ETL06CV		•			
ETLBE06CV	•				
ETLNL06CV		•			
ETLDT06CV	•	•			

Pull & Thumbpiece Design (for Rim and SVR Devices)



Dummy

- ETDT Outside by pull only, pull when dogged
- ANSI Function 02
- Covers 161 cutout



Store Room

- ETNL Outside by pull, key retracts latchbolt
- ANSI Function 03
- Covers 161 cutout



Entrance

- ETPP Key locks and unlocks thumb piece
- ANSI Function 13
- Covers 161 cutout

OPTIONS:

Available with SFIC less core cylinder
contact sales department

Item	10B	32D	BLK
ETDT	•	•	•
ETNL	•	•	•
ETPP	•	•	•