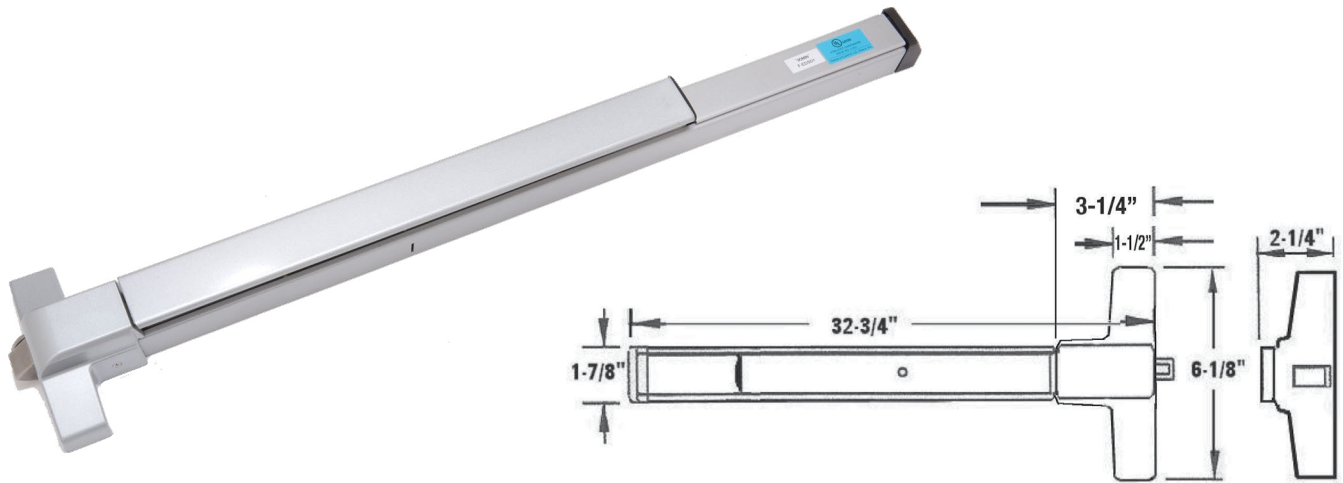


Standard Duty Commercial Rim Exit Device

ED501 (Standard)

EDF501 (Fire-Rated)



FEATURES:

- Deadlatching and non-handed
- Dogging standard only on NON-UL listed device
- Baked enamel Aluminum (AL) and Duronodic (DU) finish
- For all doors up to 36"
- PEDPS01 & PEDSS01 - Standard strike and shim
- PEDFP161 & PEDFP - ANSI - Latch & strike filler plate
- PEDSNB - Standard with sex bolts
- EDF501 - UL Listed for fire and egress - Listed for 1-1/2 hour for doors under 38" (3'-2") x 86" (7'-2")



CODE COMPLIANCE:

- ANSI A156.3 Grade 2. UL 1 OC and UBC 7.2 for positive pressure
- ANSI A117.1 and ADA for barrier-free accessibility
- C-UBC California Amended Uniform Builders Code - 2001
- NFPA-80 National Fire Protection Association - 1999
- NFPA-101 National Fire Protection Association Life Safety - 2000

OPTIONS:

- Stocked 48" length, specify "L" in item # (for non-rated device)
- EDS551 - Exit device made from stainless steel
- ALRMKIT500 - Alarm kit (mortise cylinder NOT included)
- ETLHL500 - Entry function - Lever - 161 Cylindrical prep
- ETLHL580 - Storeroom function - Lever - 161 Cylindrical prep
- ETTP05 - Pull plate with cylinder cut-out (available in BLK / Alum/Duro, Rim cylinder NOT included)
- ETTP06 - Pull plate only (NOT included)

1 YEAR LIMITED WARRANTY

Item	Size	AL	DU	SS	BLK
ED501	36"	•	•		•
ED501L	48"	•	•		•
EDF501 (Fire-Rated)	36"	•	•		•
EDS551	36"			•	

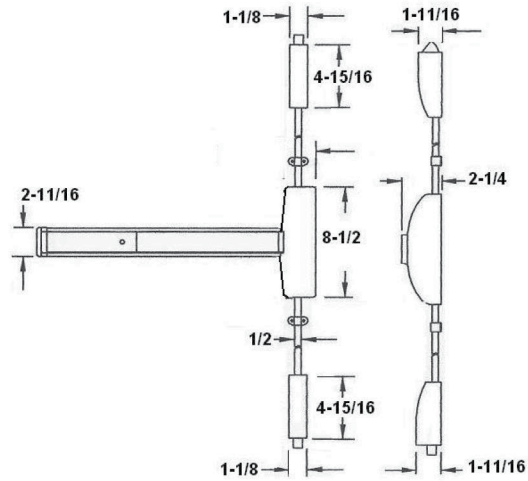
Standard Duty Commercial Surface Vertical Rod Exit Device

EDVR531 (Standard)

EDFVR531 (Fire-Rated)

FEATURES:

- Deadlatching and non-handed
Dogging standard only on NON-UL listed device
- Interlocking top and pullman bottom latch
- Baked enamel Aluminum (AL) and Duronodic (DU) finish
- PEDPS03 & PEDPS11 - Standard top & bottom strike
- PEDFP161 & PEDFP - ANSI - Latch & strike filler plate
- PEDSNB - Standard with sex bolts
- For all doors up to 36" (3') x 84" (7')
- EDFVR531 - UL Listed for fire and egress - Listed for 1-1/2 hour fire doors under 38" (3'2") x 86" (7'2")



OPTIONS:

- ALRMKIT500 - Alarm Kit (cylinder NOT included)
- ETLHL500 - Entry function lever #161 cylindrical preparation
- ETLHL580 - Storeroom function lever #161 cylindrical Prep
- ETPP05 Pull plate with cylinder cut-out, rim cylinder (NOT included)
- ETPP06 - Pull plate only



CODE COMPLIANCE:

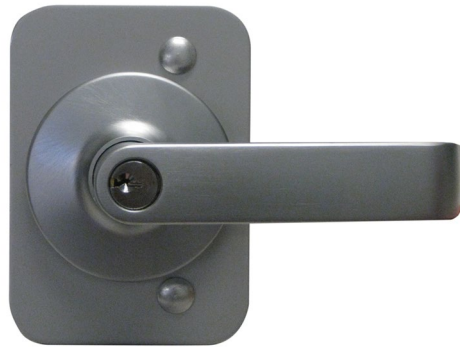
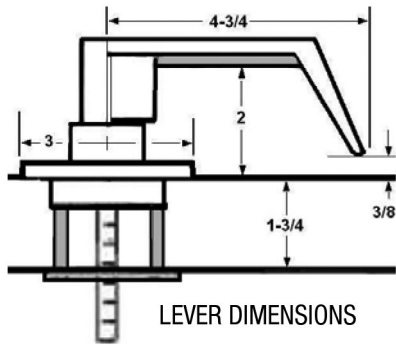
ANSI A156.3 Grade 2. UL 1 OC and UBC 7.2 for positive pressure
ANSI A117.1 and ADA for barrier-free accessibility
C-UBC California Uniform Builders Code - 2001
NFPA-80 National Fire Protection Association - 1999
NFPA-101 National Fire Protection - Life Safety - 2000

1 YEAR LIMITED WARRANTY

Item	AL	DU	BLK
EDVR531	•	•	•
EDFVR531 (Fire-Rated)	•	•	•

Exit Device Trim

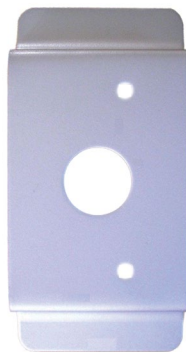
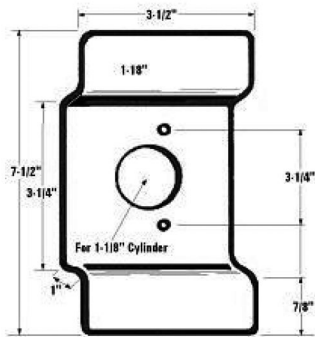
500 Series



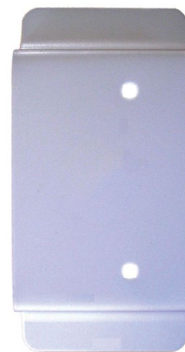
- ETLHL500 - ENTRY
- ETLHL510 - PASSAGE
- ETLHL580 - STOREROOM

Item	10B	26D	BLK
ETLHL500	•	•	•
ETLHL510		•	•
ETLHL580		•	•

Pull Trim



ETPP05
RIM CYLINDER
NOT INCLUDED



ETPP06

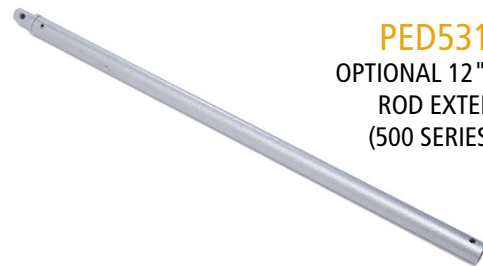
Accessories



PEDMP161
ANSI 161 2-1/8" BORE
TRIM MOUNTING PLATE

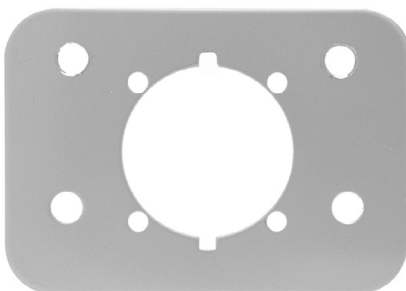


ALRMKIT500 - ALARM KIT
USED WITH 500 SERIES EXIT DEVICES
1-1/8" MORTISE CYLINDER
NOT INCLUDED



PED531EXT
OPTIONAL 12" VERTICAL
ROD EXTENSION
(500 SERIES ONLY)

PEDBPVR
BACK PLATE FOR USE WITH
VERTICAL ROD TRIM



Item	AL	DU	BLK	Unfinished
ALRMKIT500	•	•		
ETPP05	•	•		
ETPP06	•	•		
PED531EXT	•	•	•	
PEDBPVR	•			
PEDMP161				•