

Heavy Duty Commercial Cylindrical Locks

LHV (Grade 1)



Saturn



Sparta



Tubular

FEATURES:

- Non-handed and reversible
- 2-3/4" backset, 1-1/8" x 2-1/4" faceplate, UL 3-hour fire listed stainless steel latch or deadlatch
- 1-1/4" x 4-7/8" ANSI Strike
- Schlage "C" 6-pin keyway standard
- Saturn, Sparta and Tubular lever design
- Barrier-free and returns within 1/2" of the door face
- Door thickness 1-3/4" - 2"

OPTIONS:

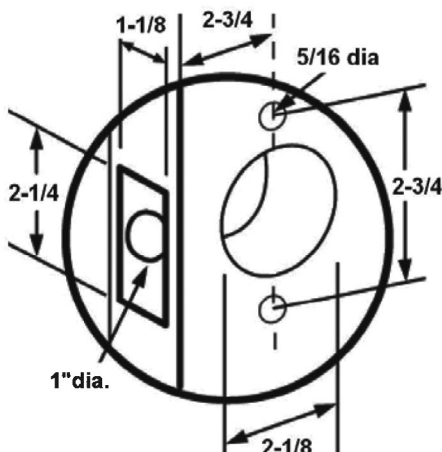
- CL - Clutch Function - Lever rotates without unlatching lock
- IC - Small Format Interchangeable Core available for Saturn and Sparta lever design (core NOT included)
- LFC - Large Format Interchangeable Core available for Saturn lever design (core NOT included)
- Additional backset, springlatch, deadlatch, and accessory options available (see page 13)



CODE COMPLIANCE:

- ANSI A156.2 Grade 1. UL10C and UBC 7.2 for positive pressure
- ANSI A117.1 and ADA for barrier-free accessibility
- C-UBC California Amended Uniform Builders Code - 2001
- NFPA-80 National Fire Protection - 1999
- NFPA-101 National Fire Protection - Life Safety 2000

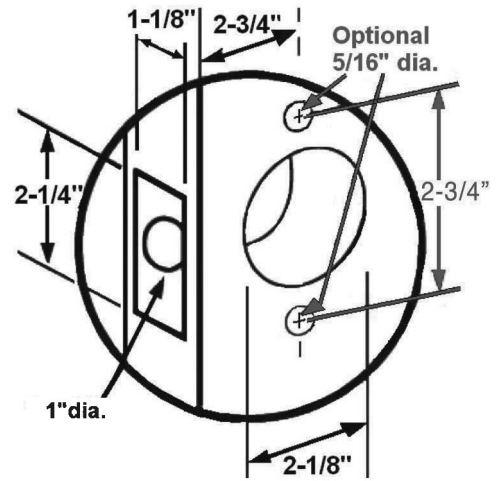
LIMITED LIFETIME WARRANTY



| Item | Sparta 26D | Sparta 10B | Saturn 26D | Saturn 10B | Tubular 26D | Saturn BLK |
|--------|------------|------------|------------|------------|-------------|------------|
| LHV10 | • | • | • | • | • | • |
| LHV40 | • | • | • | • | • | • |
| LHV50 | • | • | • | • | • | • |
| LHV53† | • | • | • | • | • | • |
| LHV70‡ | • | • | • | • | • | |
| LHV80 | • | • | • | • | • | • |
| LHV170 | • | • | • | • | | |

Standard Duty Commercial Cylindrical Locks

LSV (Grade 2)



FEATURES:

- Non-handed and reversible
- 2-3/4" backset, 1-1/8" x 2-1/4" faceplate, UL 3-Hour fire listed stainless steel latch or deadlatch
- 1-1/4" x 4-7/8" ANSI strike
- Schlage "C" 6-pin keyway standard
- Barrier-free & returns within 1/2" from the door face
- Saturn and Sparta Lever Trim
- Door thickness 1-3/8" - 1-3/4"
- RTB - Removable throughbolt supplied but NOT installed

OPTIONS:

- CL - Clutch Function - Lever rotates without unlatching the lock
- IC - Small Format Interchangeable Core available (core NOT included)
- Additional backset, springlatch, deadlatch, and accessory options available (see page 13)



CODE COMPLIANCE:

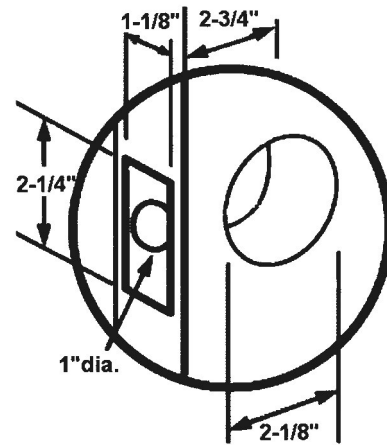
- ANSI A156.2 Grade 2. UL10C and UBC 7.2 for positive pressure
- ANSIA117.1 and ADA for barrier-free accessibility
- C-UBC California Amended Uniform Builders Code -2001
- NFPA-80 National Fire Protection Assoc.-1999
- NFPA-101 National Fire Protection-Life Safety 2000

LIMITED LIFETIME WARRANTY

| Item | Sparta 10B | Sparta 26 | Sparta 26D | Sparta US3 | Saturn 10B | Saturn 26 | Saturn 26D | Saturn US3 | Saturn BLK |
|--------|------------|-----------|------------|------------|------------|-----------|------------|------------|------------|
| LSV10 | • | | • | • | • | • | • | • | • |
| LSV20 | | | • | | • | | • | | |
| LSV40 | • | | • | | • | • | • | • | • |
| LSV53 | • | | • | | • | • | • | • | • |
| LSV80 | • | • | | • | • | • | • | • | • |
| LSV20† | | | | | • | | • | | |
| LSV53‡ | | | | | • | | • | | |
| LSV80‡ | | | | | • | | • | | |
| LSV70 | | | | | • | • | • | • | |
| LSV170 | | | • | | | | | | |

Medium Duty Commercial Cylindrical Locks

LDV (Grade 2)



FEATURES:

- Non-handed and reversible
- 2-3/4" backset, 1-1/8" x 2-1/4" faceplate
- PLKASA - 4-7/8" x 1-1/4" ANSI strike
- Schlage "C" 6-pin keyway standard
- Sparta and Saturn lever trim
- Barrier-free and returns within 1/2" from the door face
- Door thickness 1-3/8" - 1-3/4"

Additional backset, springlatch, deadlatch, and accessory options available (see page 13)



CODE COMPLIANCE:

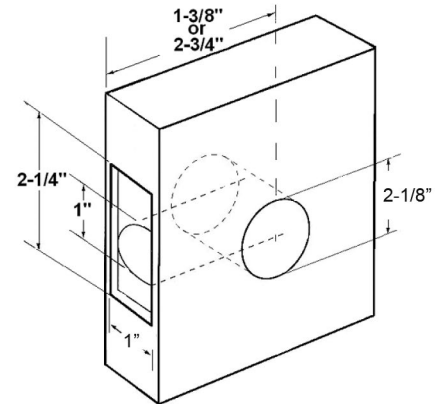
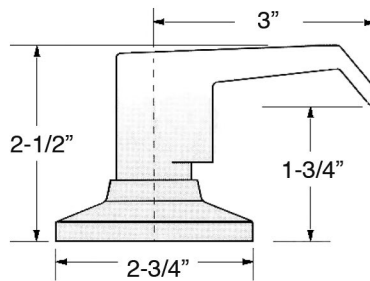
- ANSI A156.2 Grade 2. UL10C and UBC 7.2 for positive pressure
- ANSIA117.1 and ADA for barrier-free accessibility
- C-UBC California Amended Uniform Builders Code - 2001
- NFPA-80 National Fire Protection Assoc. - 1999
- NFPA-101 National Fire Protection - Life Safety 2000

1 YEAR LIMITED WARRANTY

| Item | Sparta 26D | Saturn 26D |
|--------|------------|------------|
| LDV10 | • | • |
| LDV20 | • | • |
| LDV40 | • | • |
| LDV53 | • | • |
| LDV70 | • | • |
| LDV80 | • | • |
| LDV170 | • | • |

Residential Cylindrical Latchset

ECL (Grade 3)



FEATURES:

- Non-handed and reversible
- 1" x 2-1/4" faceplate springlatch
- PLKT-2-3/4" x 1-1/4" - "1" strike
- LEV lever trim only
- Barrier-free
- Door thickness 1-3/8" - 1-3/4"

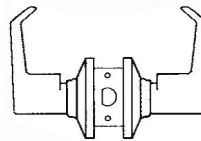


CODE COMPLIANCE:

- ANSI A117.1 and ADA for barrier-free accessibility
- NFPA101 National Fire Protection - Life Safety 2000

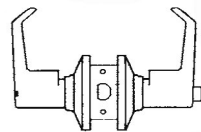
1 YEAR LIMITED WARRANTY

FUNCTIONS:



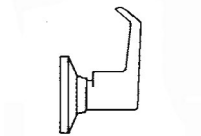
ECL10 Passage

- Latch by lever either side
- Both levers always free



ECL40 Privacy

- Latch by lever either side
- Outside lever locked by push button
- Outside lever unlocked by emergency release or by rotating inside lever
- Inside lever always free



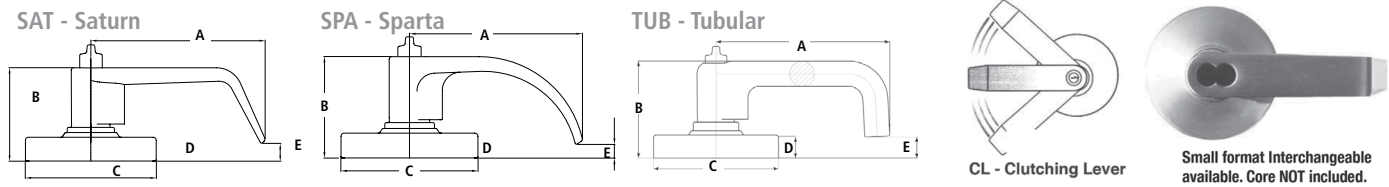
ECL170 Dummy

- Lever acts as pull only
- No operation

| Item | Style | 10B | 26D | US3 |
|--------|-------|-----|-----|-----|
| ECL10 | LEV | • | • | • |
| ECL40 | LEV | • | • | • |
| ECL170 | LEV | | • | |

General Lock Information

| LEVER DIMENSIONS | | A | B | C | D | E |
|------------------|---------|---------|---------|---------|-------|-----|
| LHV-SAT-SATURN | Grade 1 | 4-15/16 | 2-1/2 | 3-9/16 | 5/8 | 1/2 |
| LHV-SPA-SPARTA | Grade 1 | 4-31/32 | 2-17/32 | 3-1/2 | 5/8 | 1/2 |
| LHV-TUB-TUBULAR | Grade 1 | 4-15/16 | 2-13/32 | 3-9/16 | 5/8 | 1/2 |
| LSV-SAT-SATURN | Grade 2 | 4-5/8 | 2-1/2 | 3-3/8 | 11/16 | 1/2 |
| LSV-SPA-SPARTA | Grade 2 | 4-17/32 | 2-7/16 | 3-5/16 | 11/16 | 1/2 |
| LDV-SAT-SATURN | Grade 2 | 4-5/16 | 2-1/2 | 2-15/16 | 1/2 | 1/2 |
| LDV-SPA-SPARTA | Grade 2 | 4-17/32 | 2-7/16 | 3-5/16 | 11/16 | 1/2 |



| | Function | ANSI | Function Description | LHV | LSV | LDV | ECL |
|--|----------|--------------------------|---|--------|--------|--------|--------|
| | 10 | Passage F75 | Latchbolt operated by handle from either side at all times | LHV10 | LSV10 | LDV10 | ECL10 |
| | 20 | Exit F111 | Blank plate outside, inside lever always free | N/A | LSV20 | LDV20 | N/A |
| | 40 | Privacy F76 | Push button locking from inside. Lock can be opened from outside with narrow flat-head screw driver or rotating inside lever | LHV40 | LSV40 | LDV40 | ECL40 |
| | 50 | Office | Entrance/Office Lock. Push-button locking. Push-button locks outside lever until unlocked with key or by rotating inside lever | LHV50 | N/A | N/A | N/A |
| | 53 | Entrance F82 | Pushing inside button locks outside trim requiring key to unlock. Pushing and twisting button locks outside lever and always requires a key to unlatch. Inside lever always allows free egress | LHV53 | LSV53 | LDV53 | N/A |
| | 70 | Classroom F84 | Outside lever locked or unlocked by key. Inside lever always allows free egress | LHV70 | LSV70 | LDV70 | N/A |
| | 75 | Intruder Classroom* F110 | Deadlocking latchbolt operated by handle from either side (inside handle always operates latchbolt). Key either inside or outside locks or unlocks outside handle. Key from either side retracts latchbolt. | LHV75 | N/A | N/A | N/A |
| | 80 | Storeroom F86 | Outside lever always locked. Key unlatches only. Inside lever always allows free egress | LHV80 | LSV80 | LDV80 | N/A |
| | 170 | Dummy | Dummy trim for one side of door | LHV170 | LSV170 | LDV170 | ECL170 |

*The rose provides an intuitive marking etched into it to provide the user with a permanent visual indicator to identify which way to turn the key in order to lock the door from the interior or classroom side. The visual indicator may reduce the time required to ensure the lock is secure if the threat of an intruder were identified.

Deadlatches and Springlatches

Square Corner Latches



2-3/8" Backset
Springlatch



2-3/8" Backset
Deadlatch



2-3/4" Backset
Springlatch



2-3/4" Backset
Deadlatch



PLSVEXT5
Extension for Backset

| Item | Style | US3 | 10B | 26D |
|-----------|------------|-----|-----|-----|
| PLHVSL238 | Grade 1 | | • | • |
| PLHVDL238 | Grade 1 | | • | • |
| PLHVSL234 | Grade 1 | | • | • |
| PLHVDL234 | Grade 1 | | • | • |
| PLSVSL238 | Grade 2 | • | • | • |
| PLSVDL238 | Grade 2 | • | • | • |
| PLSVSL234 | Grade 2 | • | • | • |
| PLSVDL234 | Grade 2 | • | • | • |
| PLSVEXT5 | unfinished | | | |

Standard Faceplate:

1-1/8" x 2-1/4"

Optional Faceplate:

1" x 2-1/4" stocked for LSV (DL and SL)
in 2-3/4" and 2-3/8" BS (please specify).
Comes with 1-1/8" Adapter Filler.

Round Corner Latches

| | |
|------------------|--|
| PLSVDL23826D-1RD | 2-3/8" backset, deadlatching (G2) – 1" faceplate |
| PLSVSL23826D-1RD | 2-3/8" backset, springlatching (G2) – 1" faceplate |
| PLSVDL23426DRD | 2-3/4" backset, deadlatching (G2) |
| PLSVSL23426DRD | 2-3/4" backset, springlatching (G2) |
| PECL26DRD | Adjustable backset, springlatching (G3) – 1" faceplate |

| Item | 26D |
|------------------|-----|
| PLSVDL23826D-1RD | • |
| PLSVSL23826D-1RD | • |
| PLSVDL23426DRD | • |
| PLSVSL23426DRD | • |
| PECL26DRD | • |

Strikes



PLKASA
4-7/8" x 1-1/4"
ASA



PLKT
2-3/4" x 1-1/4"
"T" Strike



PLKFL
2-1/4" x 1-1/4"
Full Lip Strike

| Item | Style | US3 | 10B | 26D |
|--------|-------------------------------|-----|-----|-----|
| PLKASA | ASA Strike 4-7/8 x 1-1/4 | • | • | • |
| PLKT | "T" Strike 2-3/4 x 1-1/4 | • | • | • |
| PLKFL | Full Lip Strike 2-1/4 x 1-1/4 | • | • | • |