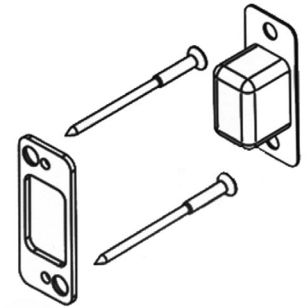
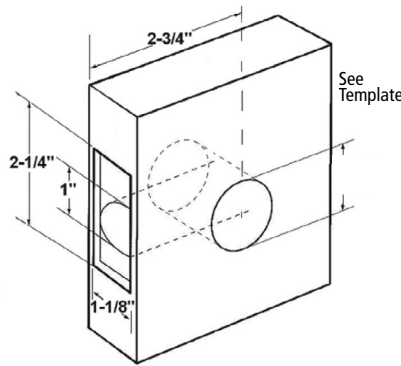
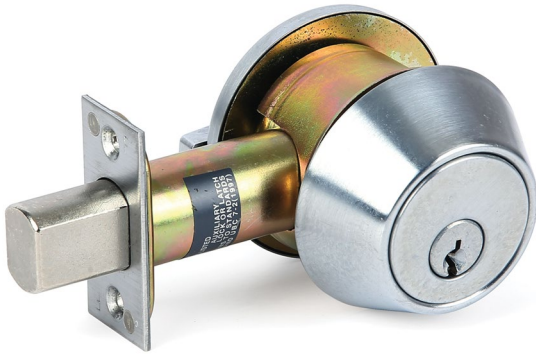


# Deadbolts

## 800 Series (Grade 1)



**Wood Door Frame Reinforcer**  
(concealed under strike/deeply anchored to jamb with 2 3" screws)

### FEATURES:

- Tested to exceed 250,000 operational cycles ANSI Grade 1 requirements for durability
- 3" steel screws provide the added strength to prevent break-in attacks on wood doors (exclusive concealed wood frame reinforcer protects wood jambs from kick-in attacks)
- 1" throw, high-strength deadbolt with hardened steel roller resists sawing and kick-in attacks
- Standard dust box includes additional space inside strike box for true deadlatch (provides deep anchoring and added strength)
- Concealed screws on double cylinder deadbolts for enhanced security and safety

### SPECIFICATIONS:

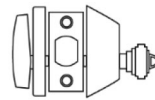
- Handing Non-handed
- Door Thickness 1-3/8" - 1-3/4"
- Backset 2-3/4" standard
- Faceplate 1-1/8" x 2-1/4" standard
- Dead bolt 1" throw with saw resistant hardened steel roller inserted
- Strike 1-1/8" x 2-3/4" metal and wood strikes with strike reinforcement supplied standard
- Cylinder 5 & 6-pin solid brass "Schlage C" keyway standard with two brass keys per lock
- Keyways Keyways available for most major manufacturers with factory lead time

### OPTIONS:

- SFIC compatible 6 or 7-pin cores with Best style, LFIC works with a Schlage 23-030 cylinder
- Master keying available

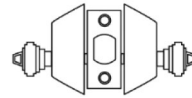
### FUNCTIONS:

#### DB851 Single Cylinder



- Deadbolt thrown or retracted by key from outside or by turning inside turn
- Bolt automatically deadlocks when fully thrown

#### DB860 Double Cylinder



- Deadbolt thrown or retracted by key from either side
- Bolt automatically deadlocks when fully thrown



### CODE COMPLIANCE:

Meets ADA Requirements specifically designed for Barrier Free Application  
ANSI/BHMA A156.36 Series 600, Grade 1 strength and operational requirements  
UL listed to USA and Canadian safety standards listed for 3-hour doors meets UL 10C and UBC 7-2 (1997) Positive Pressure

### LIMITED LIFETIME WARRANTY

LFIC: Large format IC core  
SFIC: Small format IC core

Item	Style	26D
DB851	Single Cylinder	•
DB860	Double Cylinder	•
DB851SFIC	SFIC Less Core	•
DB851LFIC	LFIC Less Core	•
DB860SFIC	SFIC Less Core	•
DB860LFIC	LFIC Less Core	•