

# Glass Bead Shim Kits

- GBKR for rim devices, 1/8" thick
- GBKV for vertical rod devices, 1/8" thick
- GBKVF for fire-rated devices, 1/8" thick

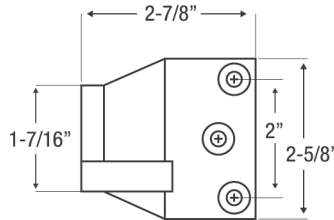
Note: when exit devices use both trim and shim kits then spindle length on thumb pieces and through bolts must be increased accordingly.

Item	ZN
GBKR	•
GBKV	•
GBKVF	•

ZN = Zinc

# Overlapping Strike

- Surface applied. Used on inactive leaf for device on active leaf of pair of doors without mullion.



Item	ZN
254	•

ZN = Zinc

# Firebolt

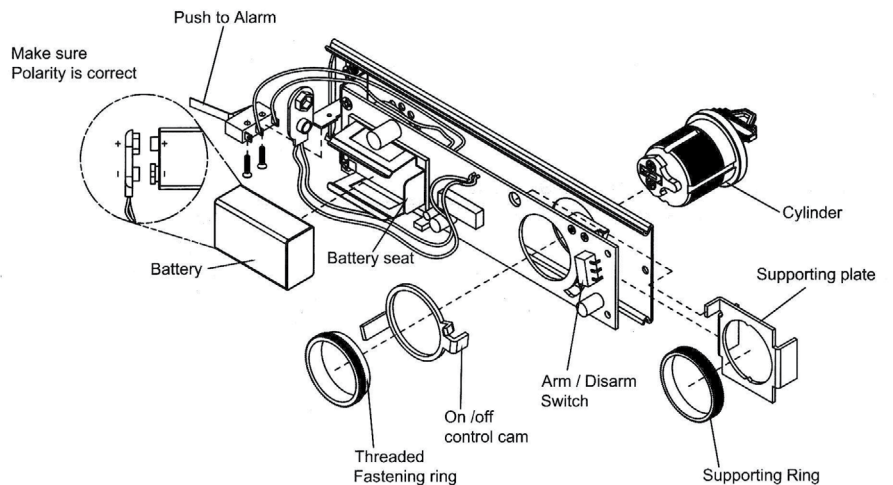
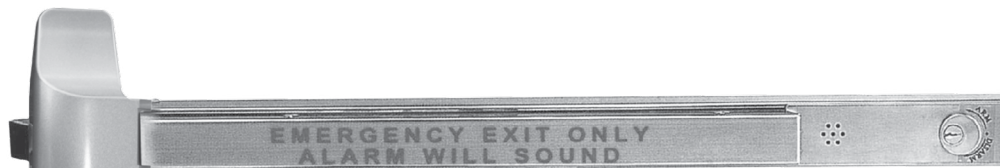


Item	32D
FB385	•

# Exit Alarm Kit

Specify ALARM KIT

- Used with 700 series exit devices
- Compatible with 48" device
- Type: rim or vertical rod
- Furnished with motise cylinder, c-keyway



Item	US28
ALRMKIT700L	•