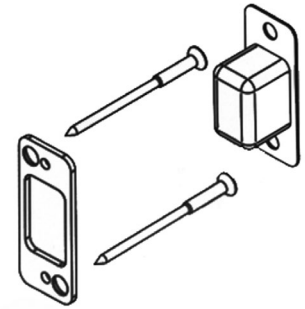
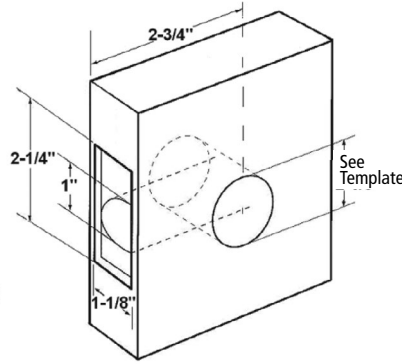
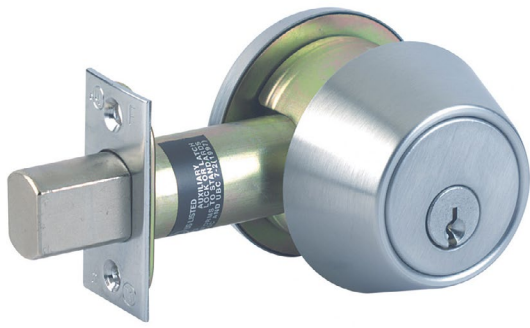


# Deadbolts – Standard Duty Commercial

## 700 Series (Grade 2)



**Wood Door Frame Reinforcer**  
(Concealed under strike/deeply anchored to jamb with 2 3" screws)

### FEATURES:

- Tested to exceed 150,000 operational cycles ANSI Grade 2 requirements for durability
- 3" steel screws provide the added strength to prevent against break-in attacks for wood door (exclusive concealed wood frame reinforcer protects wood jambs from kick-in attacks)
- 1" throw, high-strength deadbolt with hardened steel roller resists sawing and kick-in attacks
- Standard dust box includes additional space inside strike box for true deadlatch (provides deep anchoring and added strength)
- Concealed screws on double cylinder deadbolts for enhanced security and safety

### SPECIFICATIONS:

- Handing Non-handed
- Door Thickness 1-3/8" - 1-3/4"
- Backset 2-3/4" standard, 2-3/8" optional
- Faceplate 1-1/8" x 2-1/4" standard
- Dead bolt 1" throw with saw resistant hardened steel roller inserted
- Strike 1-1/8" x 2-3/4" metal and wood strikes with strike reinforcement supplied standard
- Cylinder 5 & 6-pin solid brass "Schlage C" keyway standard with two brass keys per lock
- Keyways Available for all keyways of most major manufacturers / available with factory lead time

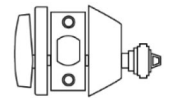
### OPTIONS:

- SFIC (small format) interchangeable core
- Compatible 6 or 7-pin cores with Best style
- Master keying available
- 2-3/8" backset
- DBADJ Adjustable deadbolt only (1" faceplate, not UL listed)
- 2-3/8"-2-3/4" ADJ backset, with round corners and 1" faceplate (PDBULADJ26D-1RD)
- 2-3/8"-2-3/4" ADJ backset, with 1" faceplate (PDBULADJ26D-1)

### FUNCTIONS:

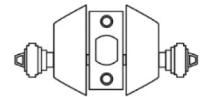
#### DB751 - Single Cylinder

- Deadbolt thrown or retracted by key from outside or by turning inside turn.
- Bolt automatically deadlocks when fully thrown



#### DB760 - Double Cylinder

- Deadbolt thrown or retracted by key from either side
- Bolt automatically deadlocks when fully thrown



#### DB780 - Door Bolt

- Deadbolt thrown or retracted by turn only.
- No through holes in door (designed for half door preparation)
- Half bore is 1-5/8" (DO NOT bore through)



### CODE COMPLIANCE:

Meets ADA Requirements specifically designed for Barrier Free Application  
ANSI/BHMA A156.5 Series 4000, Grade 2 strength and operational requirements  
UL listed to USA and Canadian safety standards listed for 3-hour doors  
Meets UL 10C and UBC 7-2 (1997) Positive Pressure

### LIMITED LIFETIME WARRANTY

Item	Style	US3	10B	26D	32D	BLK
DB751	Single Cylinder	•	•	•	•	•
DB760	Double Cylinder	•	•	•	•	
DB780	Door Bolt	•	•	•		