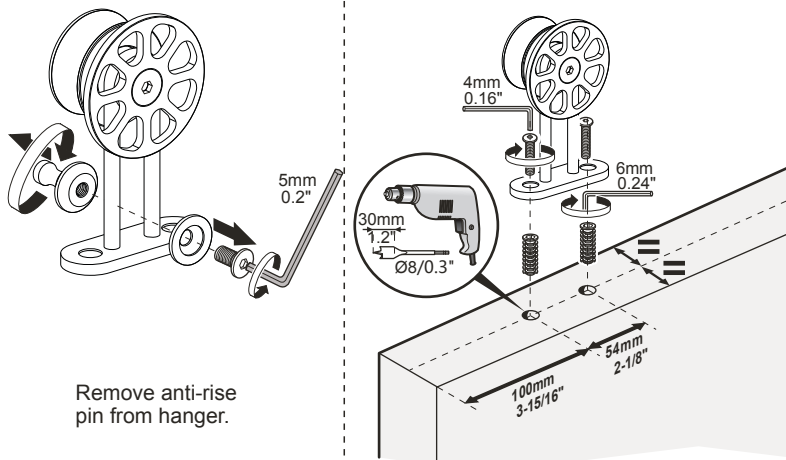




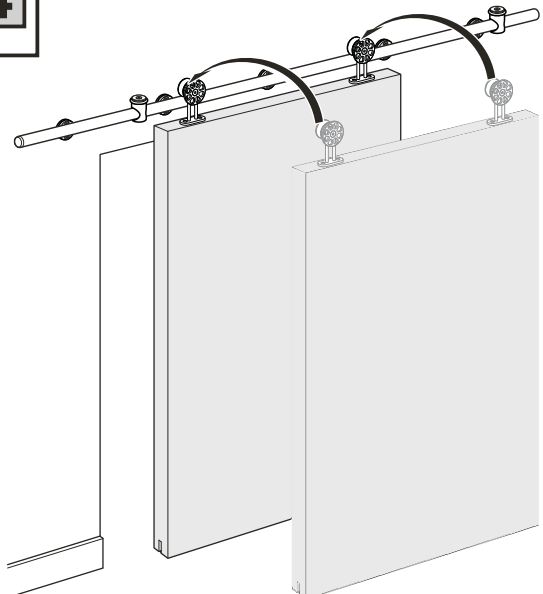
3

Drill holes centered in the door thickness for hanger anchors using a 5/16" (8mm) bit.

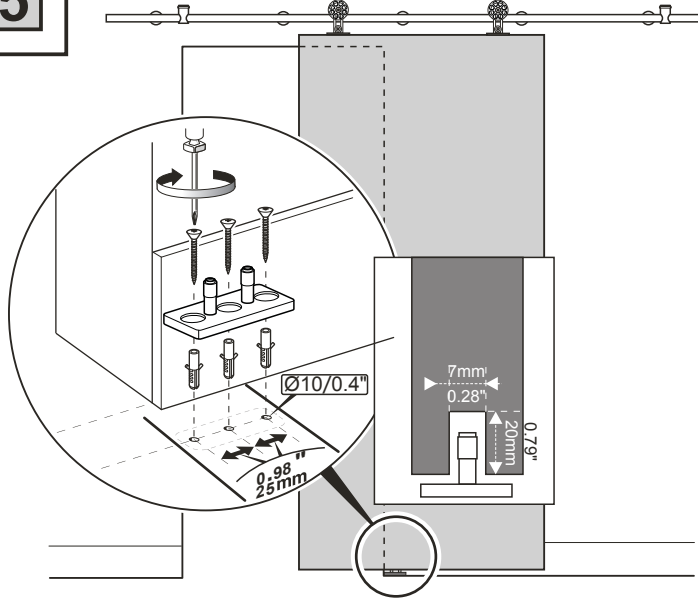


Remove anti-rise pin from hanger.

4

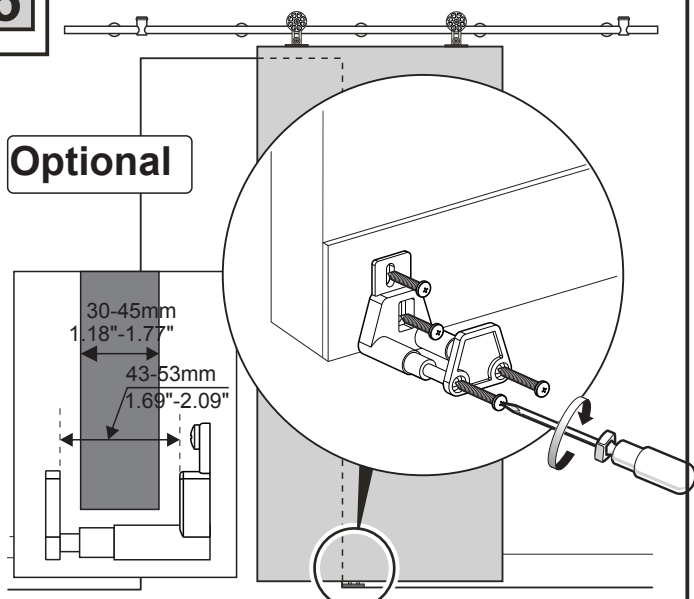


5



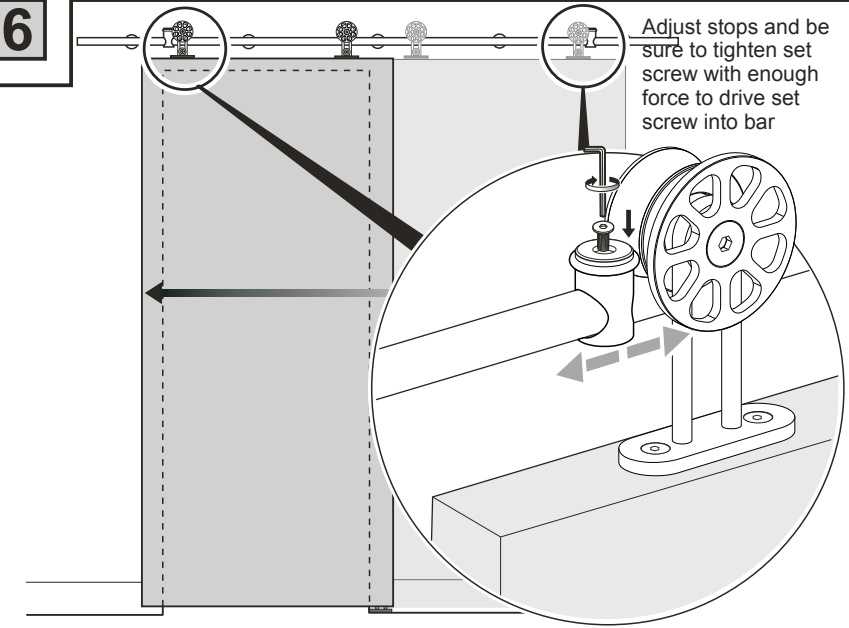
5

Optional

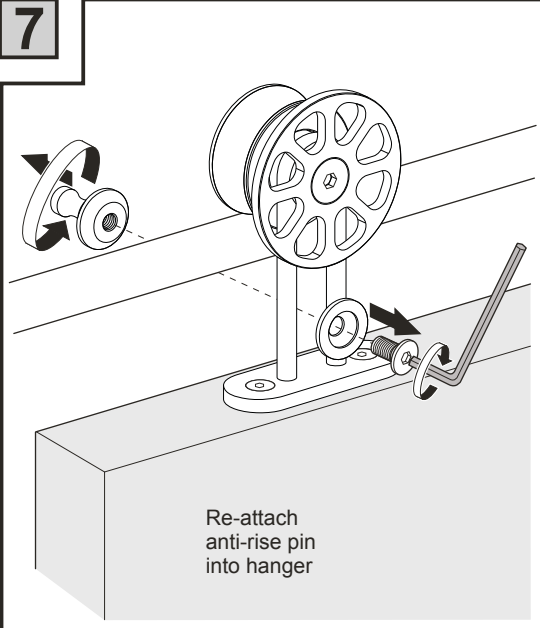


6

Adjust stops and be sure to tighten set screw with enough force to drive set screw into bar



7



Re-attach anti-rise pin into hanger