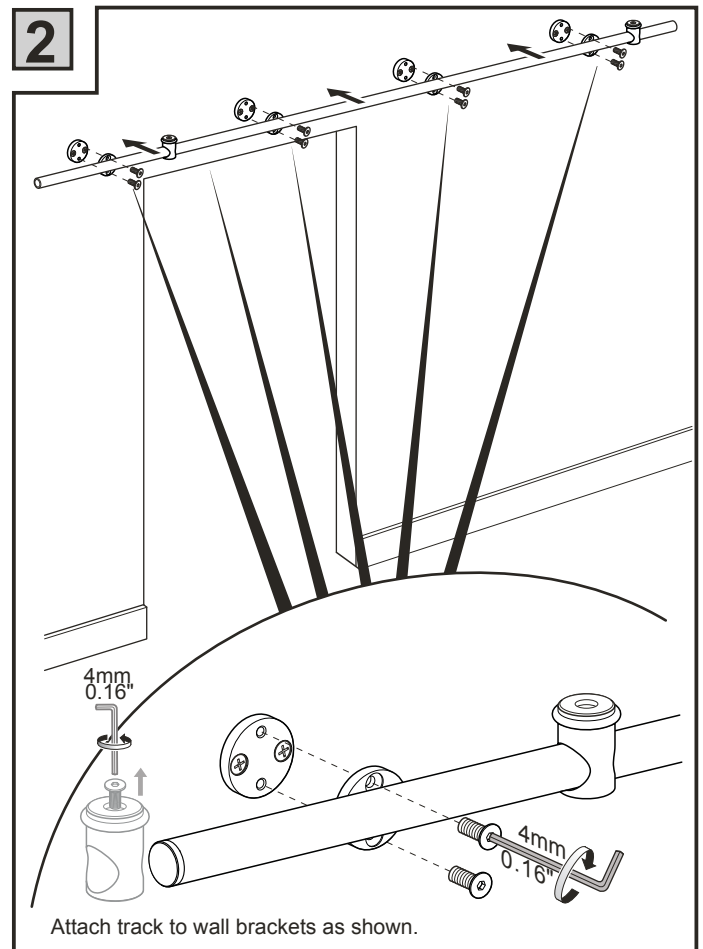
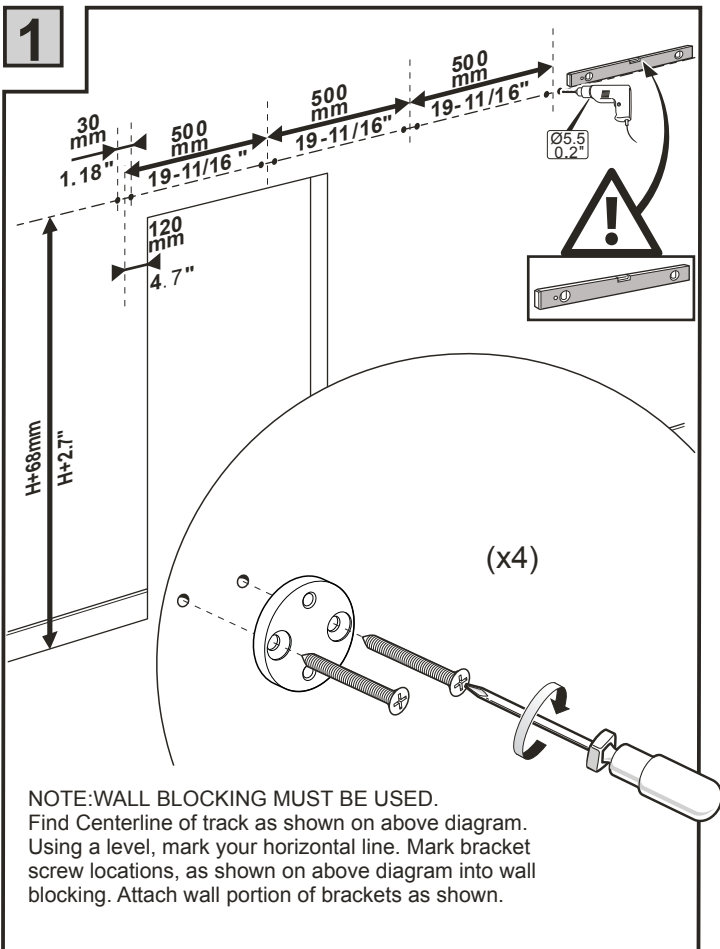
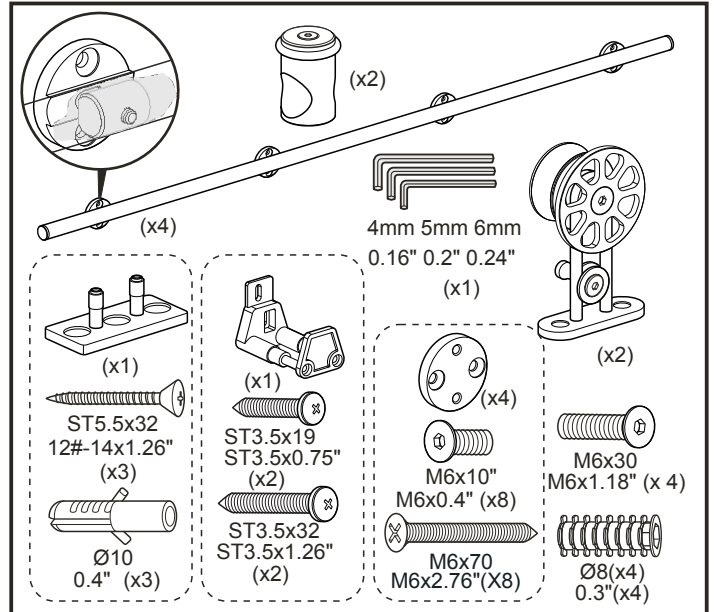
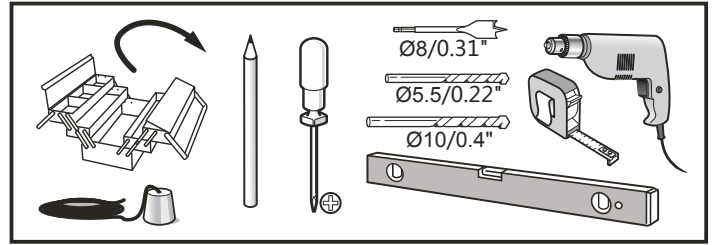
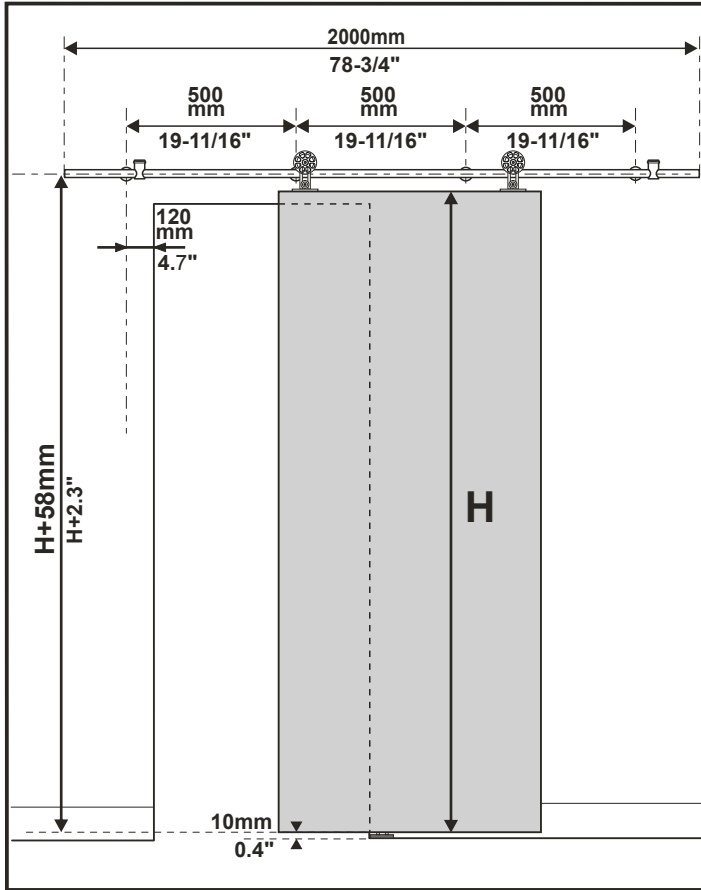


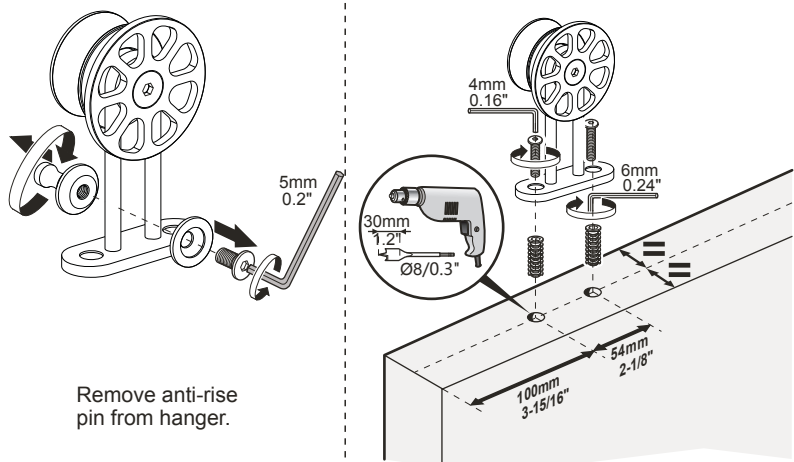
Installation manual

**** IMPORTANT NOTE: ALL SLIDING DOOR ASSEMBLIES MUST BE INSTALLED WITH PROPER BACKING ****



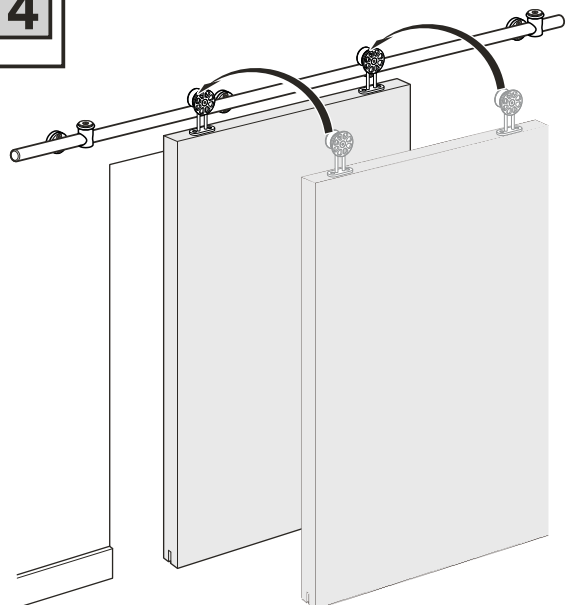
3

Drill holes centered in the door thickness for hanger anchors using a 5/16" (8mm) bit.

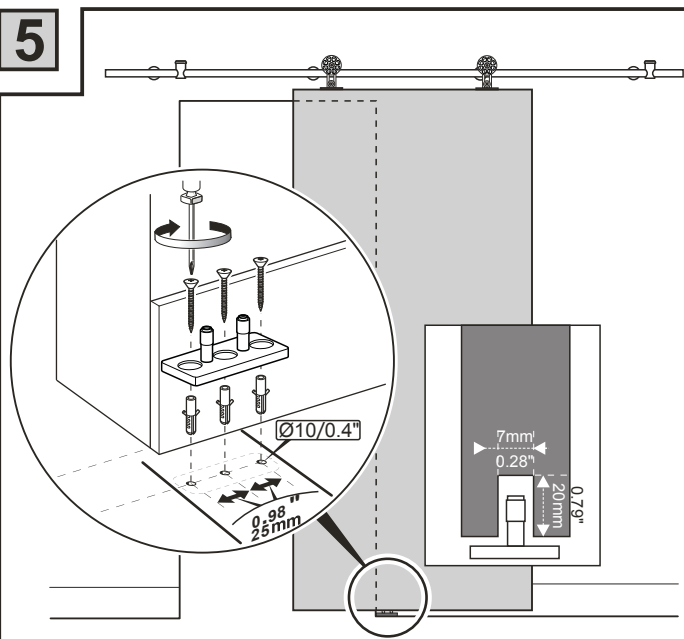


Remove anti-rise pin from hanger.

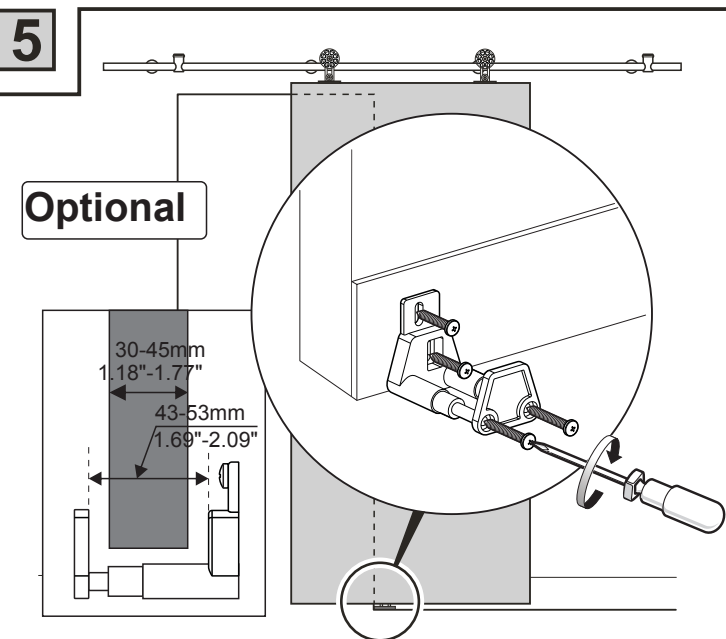
4



5

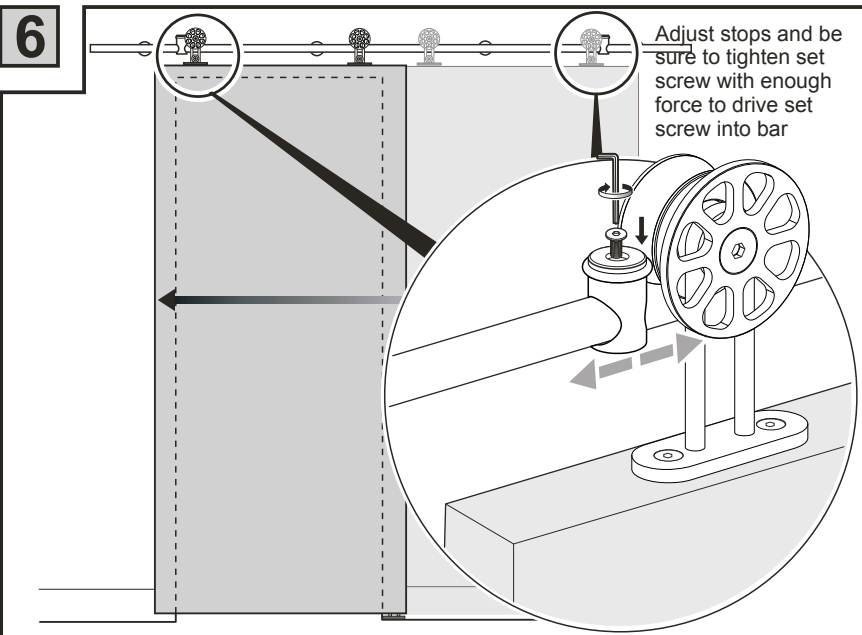


5



6

Adjust stops and be sure to tighten set screw with enough force to drive set screw into bar



7

