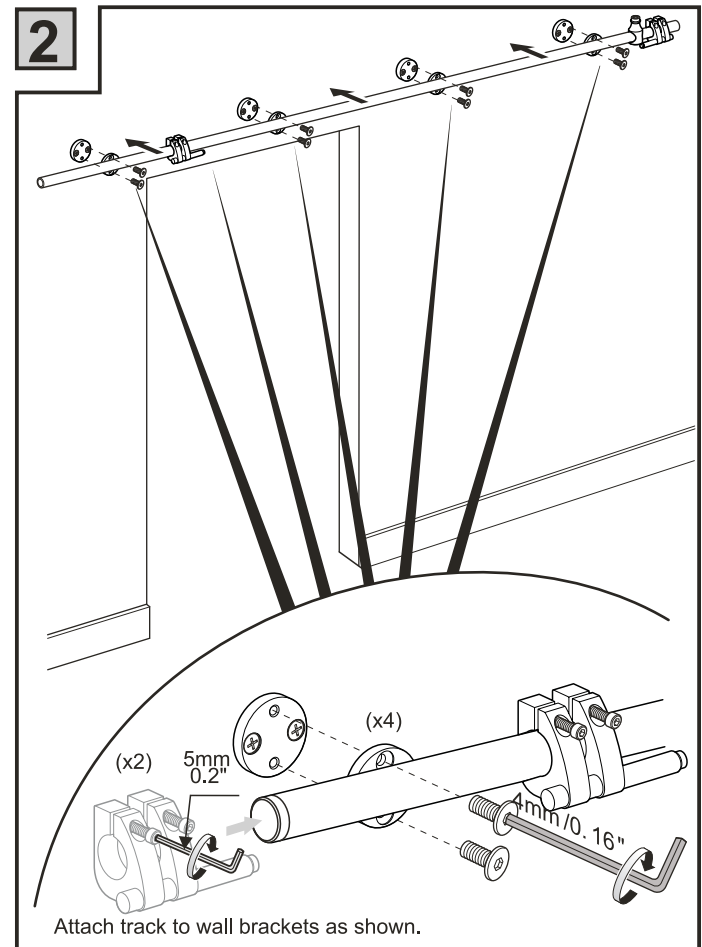
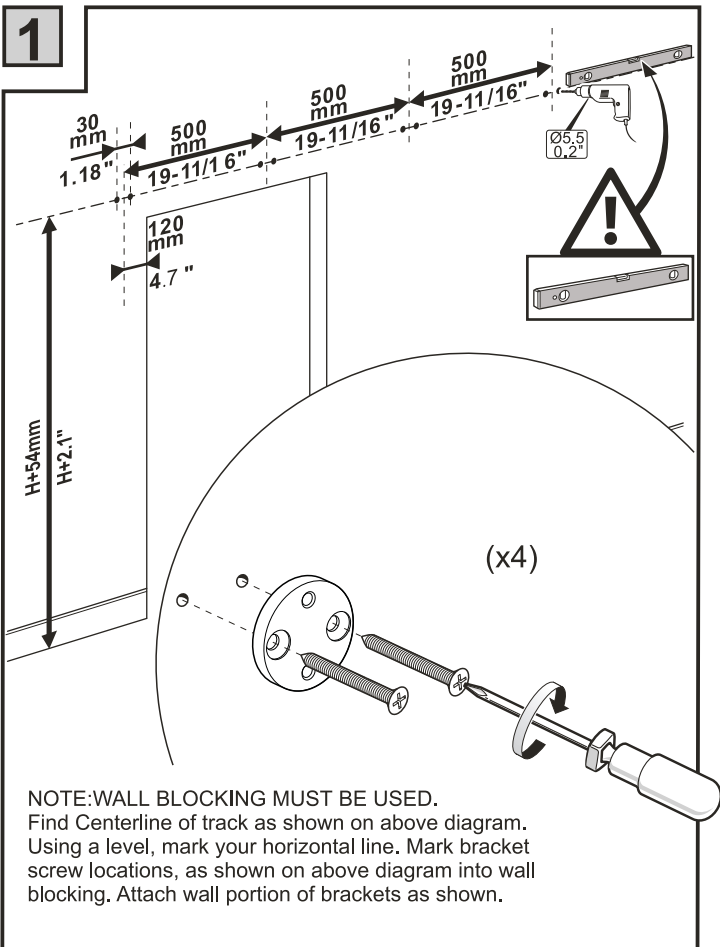
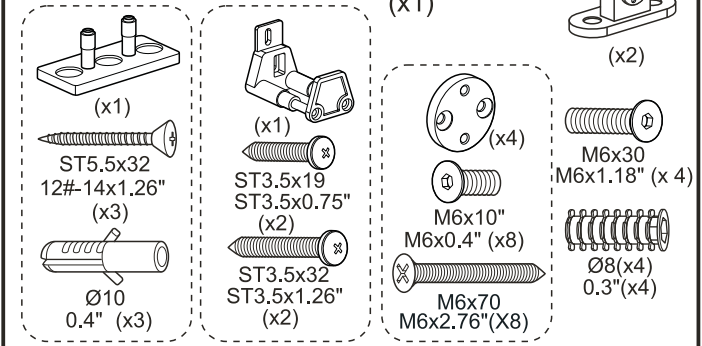
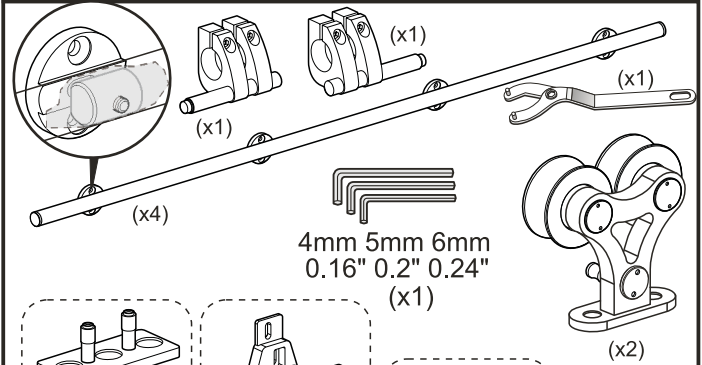
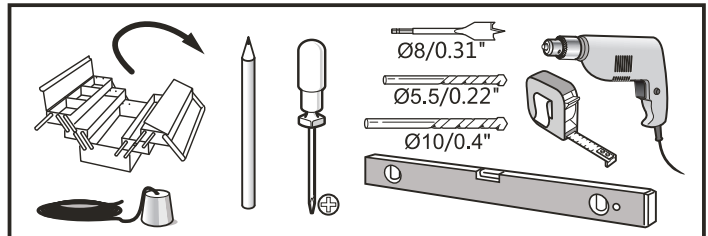
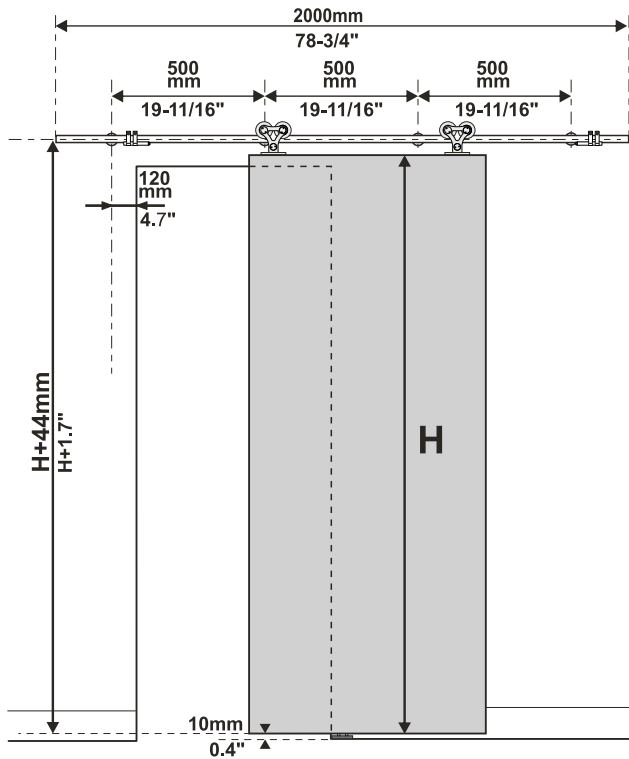


# Installation manual

This hardware assembly must be installed and assembled following the published manufacturer's installation and assembly manual contained in the original package. Failure to follow these instructions could result in product failure, malfunction, and/or loss of performance.

**Important!** Install the rail with the proper amount of spacing from the edge of the opening to the bracket (left of door in picture) so that both stops will function properly.



### 3

#### ①

Turn the anti-jump pin to the left then remove it

#### ②

Drill holes centered in door thickness for hanger anchors using a 5/16" (8mm) bit.

**Important! Please ensure the holes for the hanger are positioned in a straight line and parallel with the face of the door.**

### 4

### 5

### 5

**Optional**

### 6

**Important! Only use the stops that came with the kit. Do not add any additional stops and DO NOT use floor stops.**

Adjust stops and be sure to tighten well.

### 7

**Anti-rise pin installation - IMPORTANT**  
Install anti-rise pin as designed and detailed in IM illustration # 7 provided with the original hardware. Failure to assemble this component as illustrated could result in a malfunction of the entire assembly.

Turn the anti-jump pin clockwise until tight.