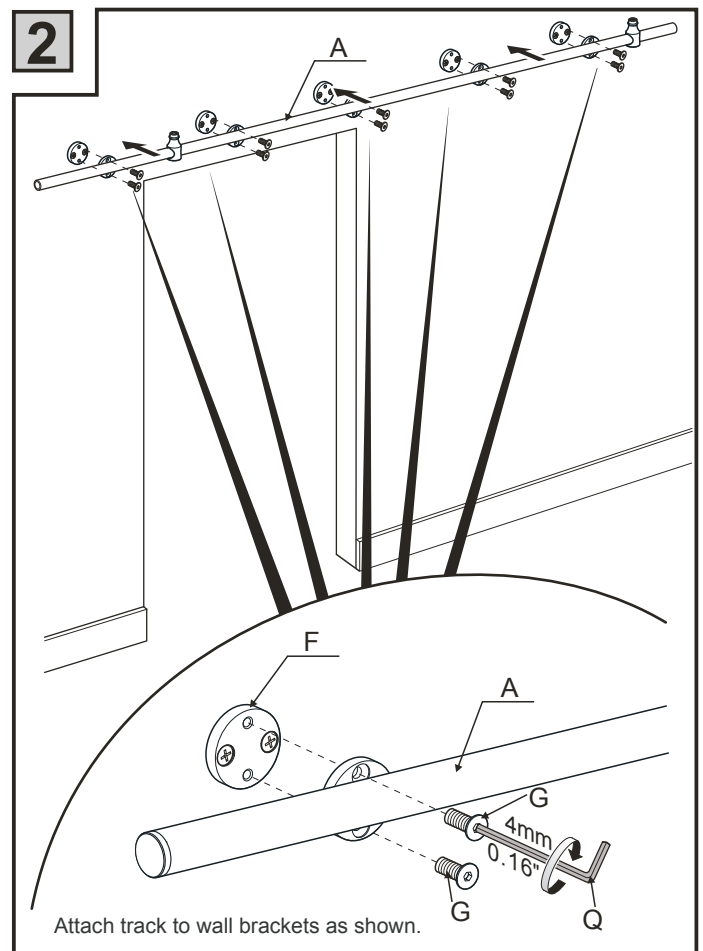
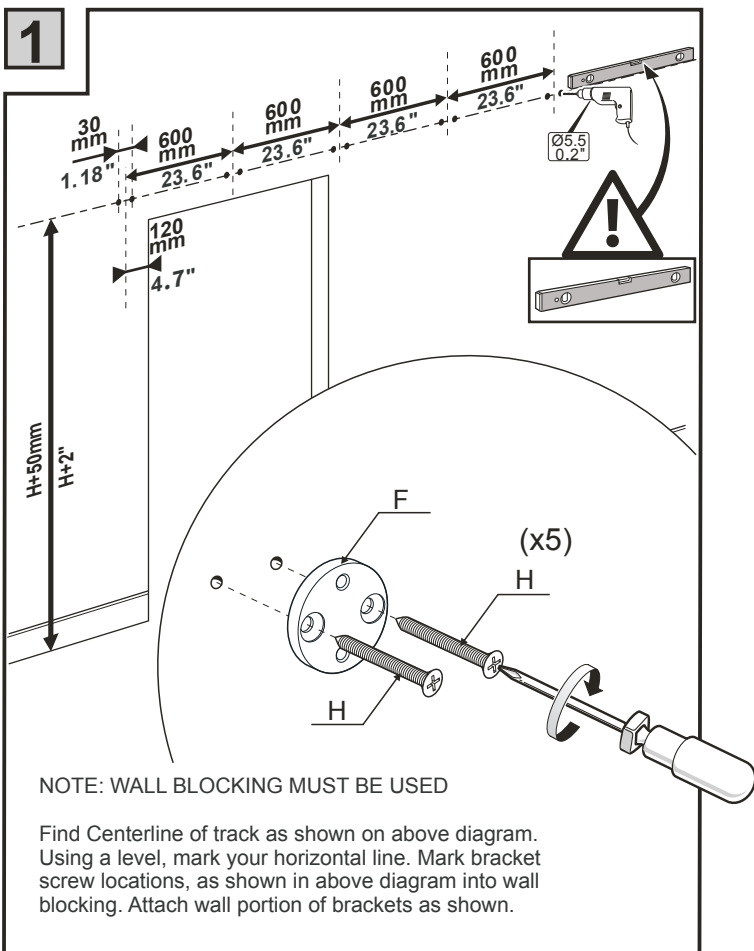
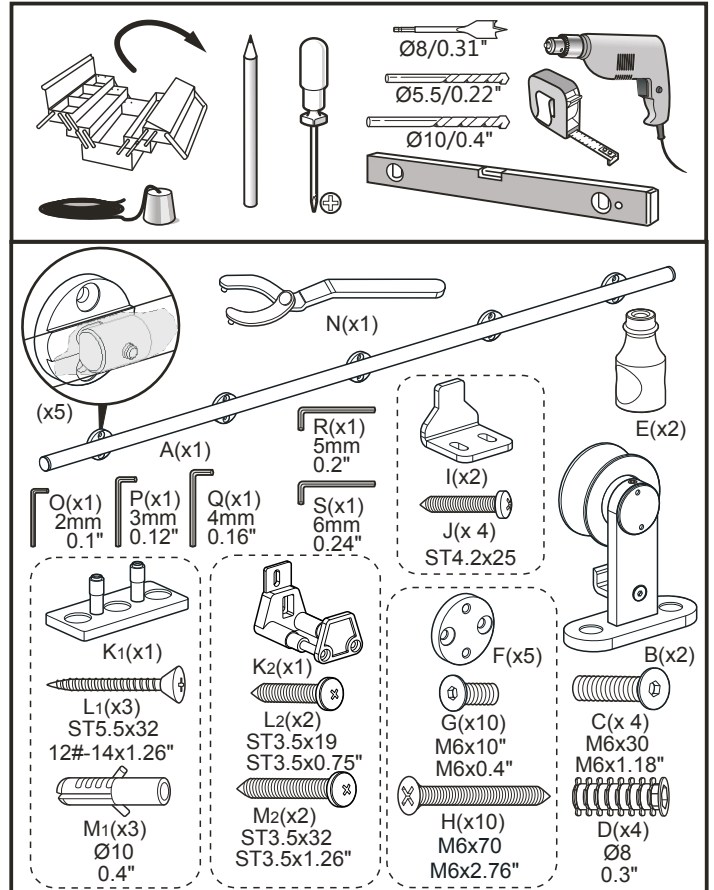
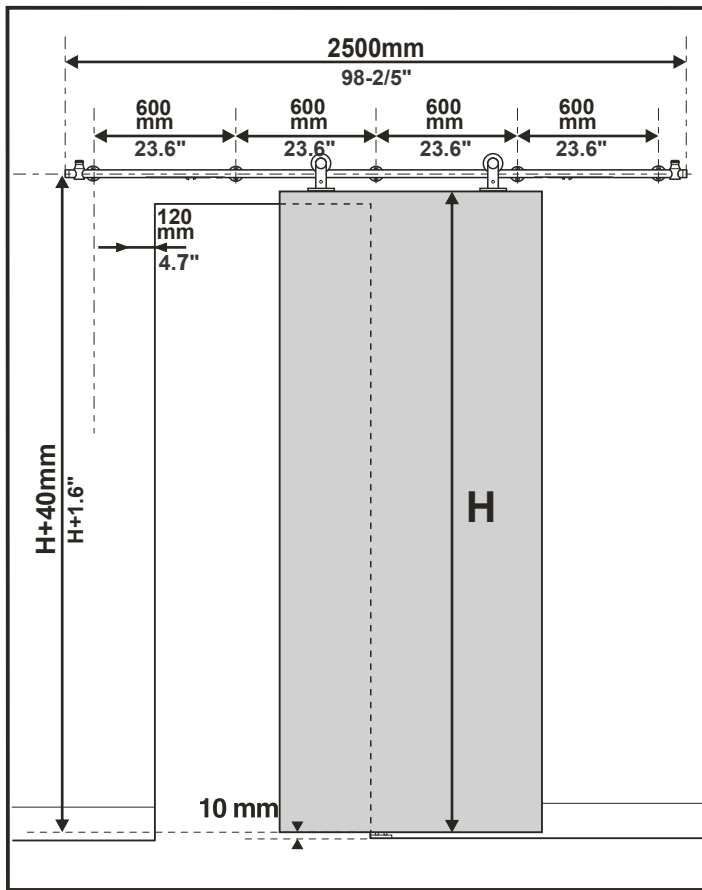


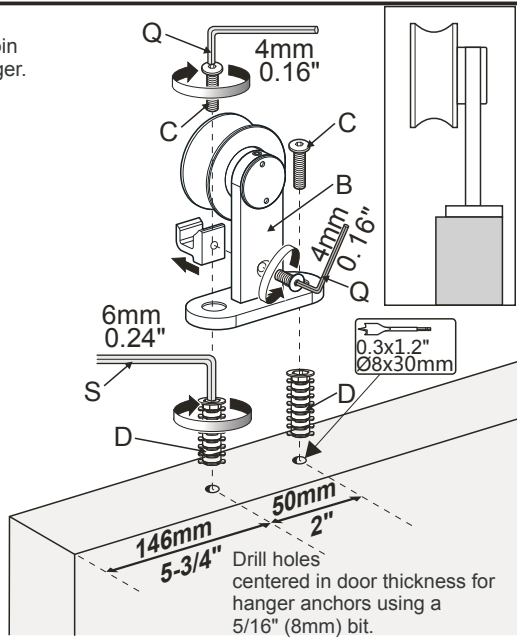
Installation manual

**** IMPORTANT NOTE: ALL SLIDING DOOR ASSEMBLIES MUST BE INSTALLED WITH PROPER BACKING ****

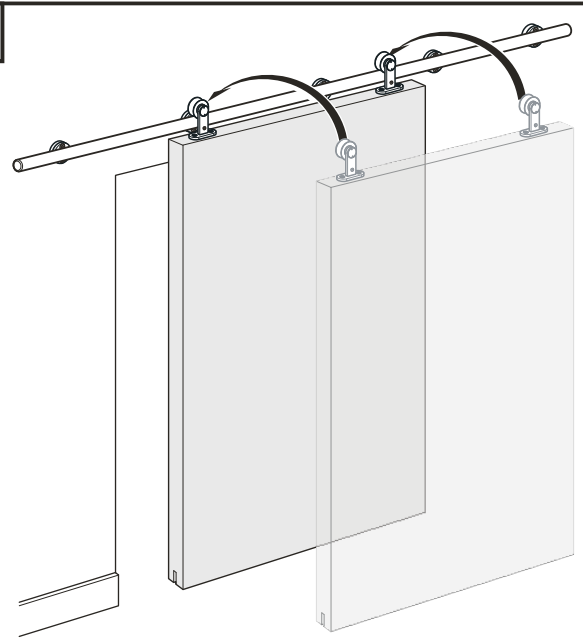


3

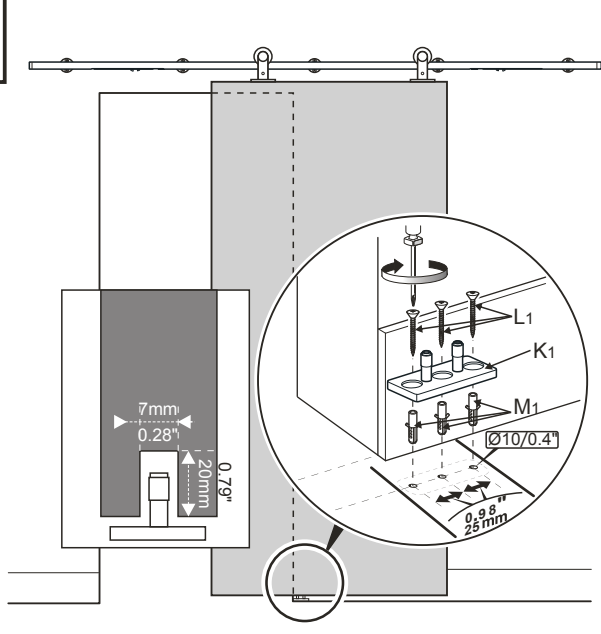
Remove anti-rise pin from hanger.



4

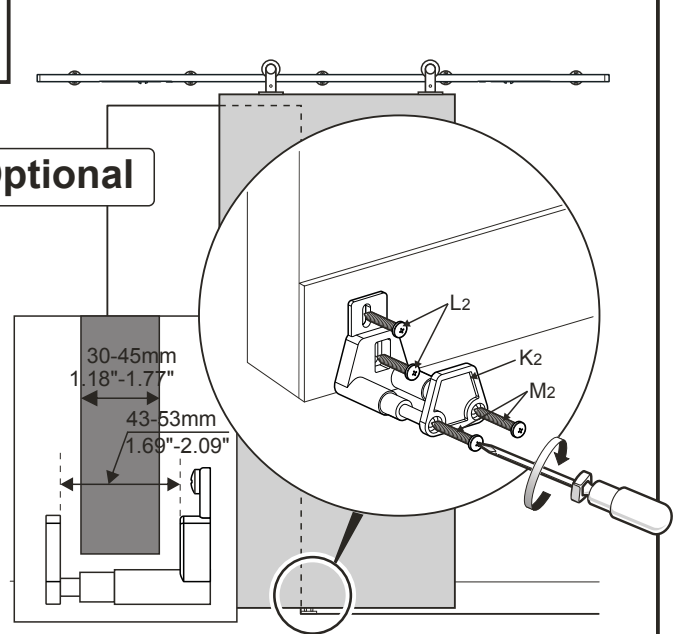


5

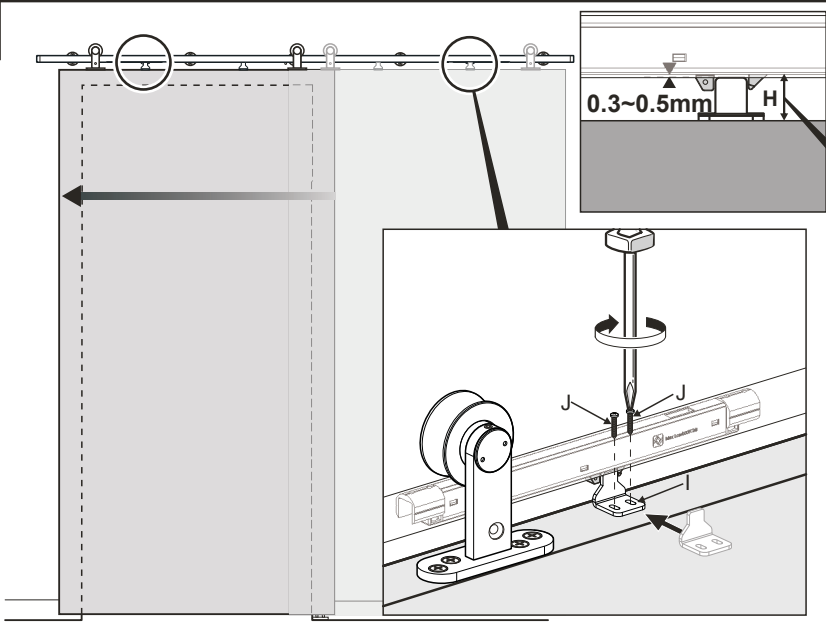


5

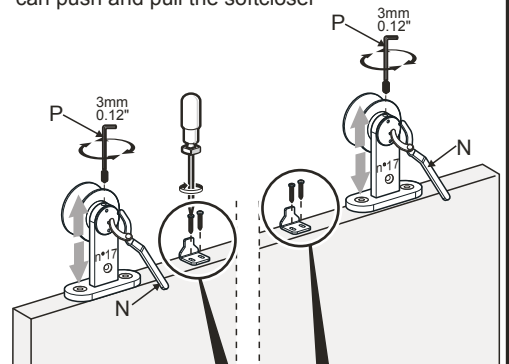
Optional



6



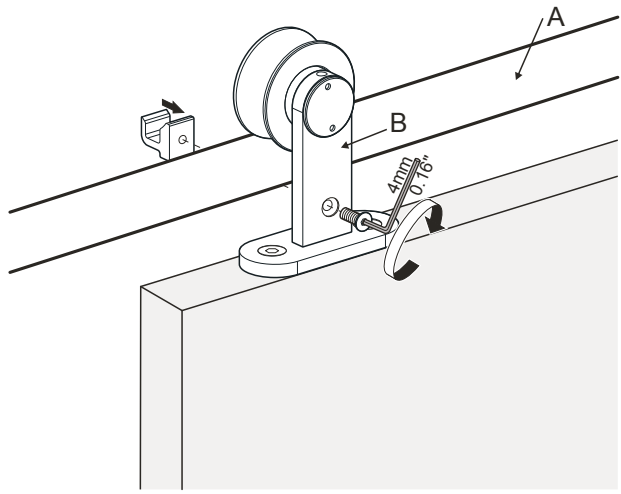
here adjust the height to be a suitable position via adjust the roller screw, so that the trigger can push and pull the softcloser



When the door is closed, put the actuator between the fins of the soft closer and fasten it to the top of the wood door. In the same way, with the door open install the other actuator

7

Re-attach anti-rise pin into hanger



8

Adjust stops and be sure to tighten set screw with enough force to drive set screw into bar.

