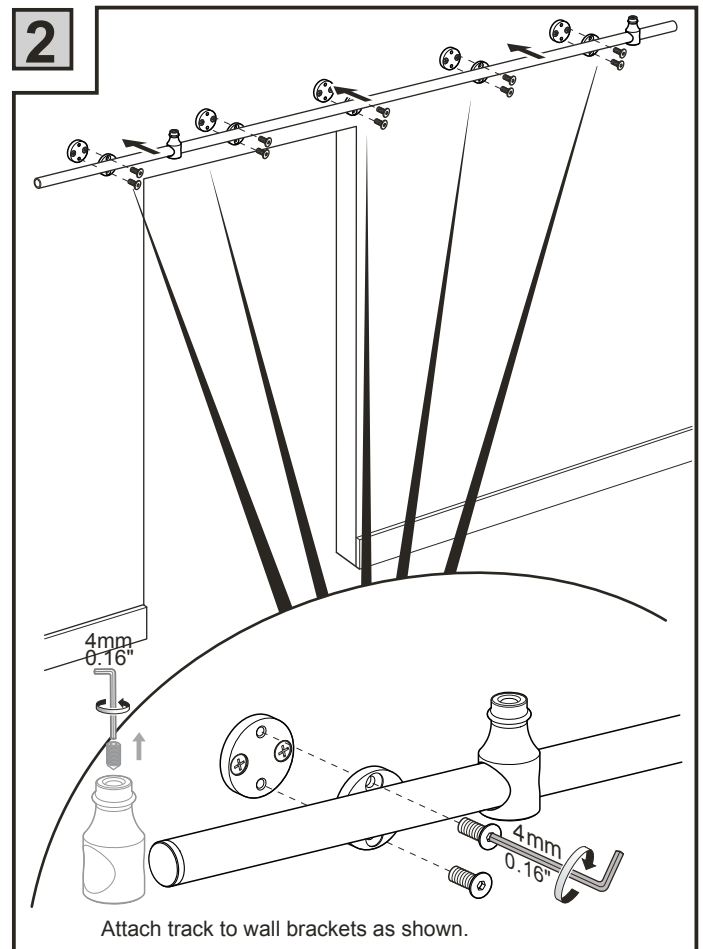
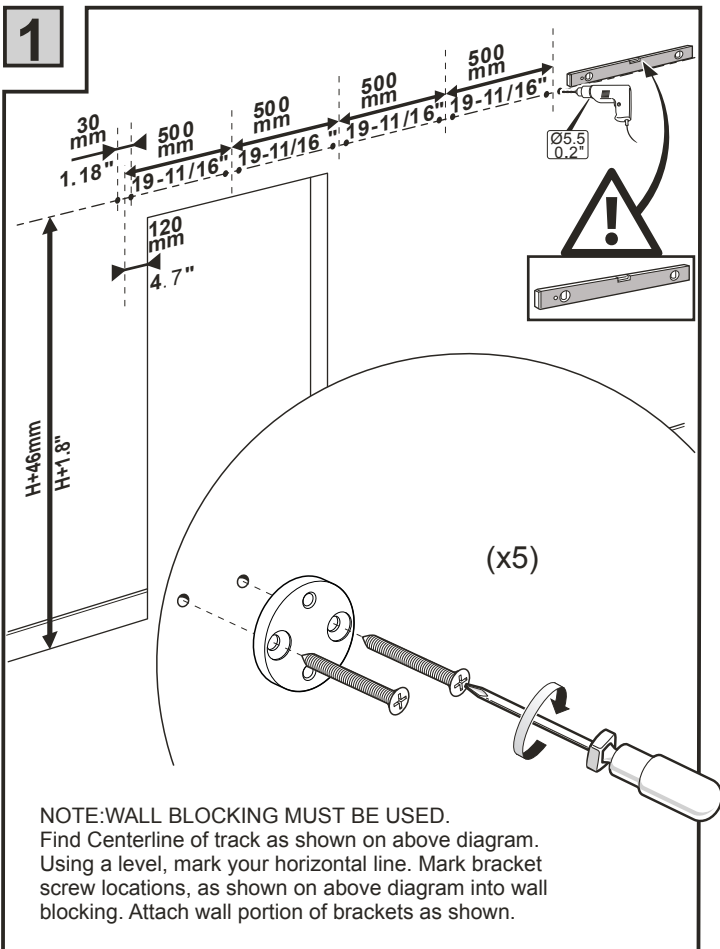
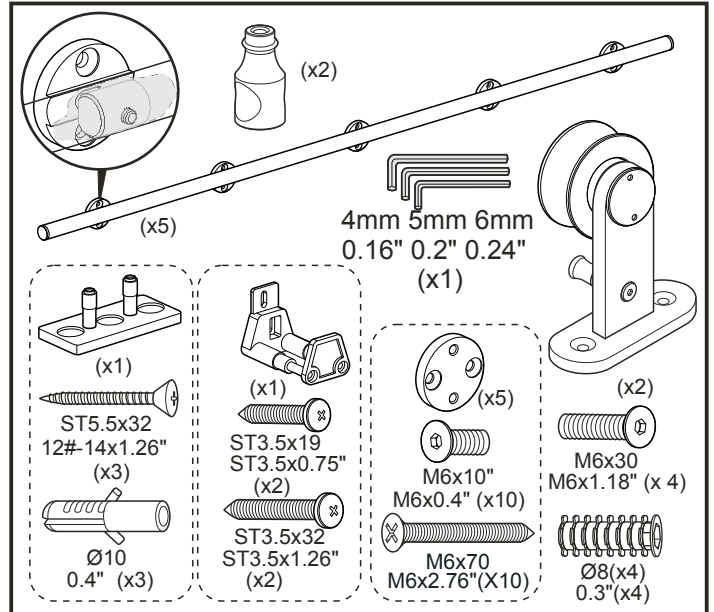
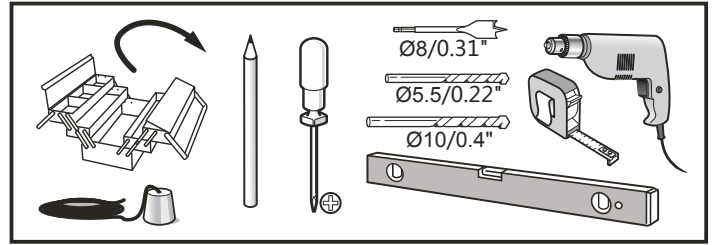
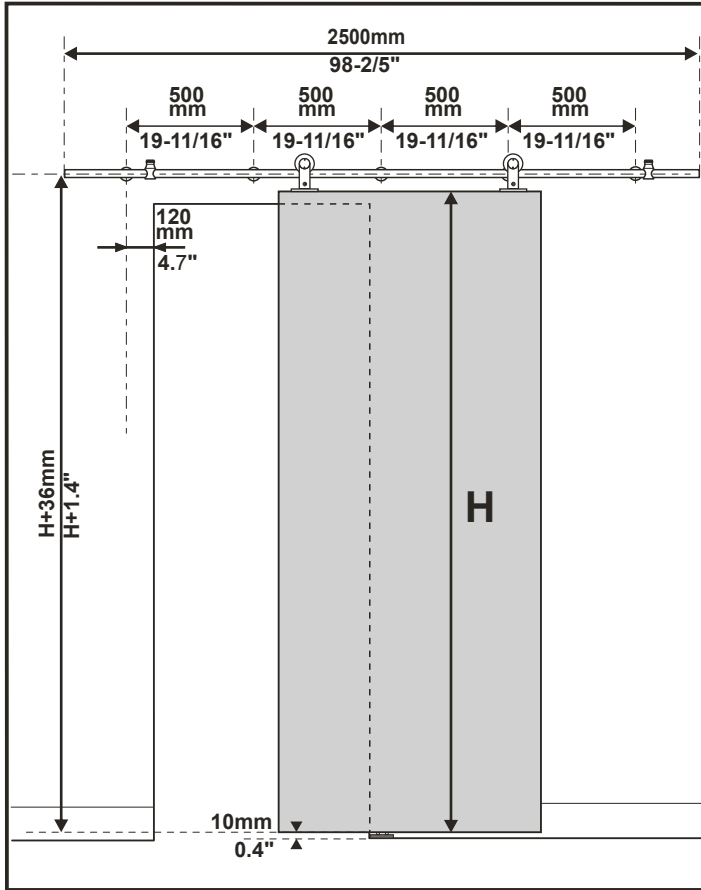


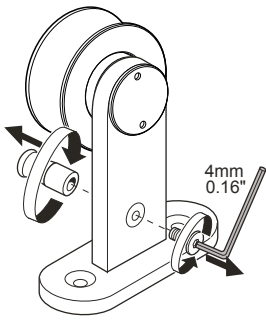
Installation manual

**** IMPORTANT NOTE: ALL SLIDING DOOR ASSEMBLIES MUST BE INSTALLED WITH PROPER BACKING ****

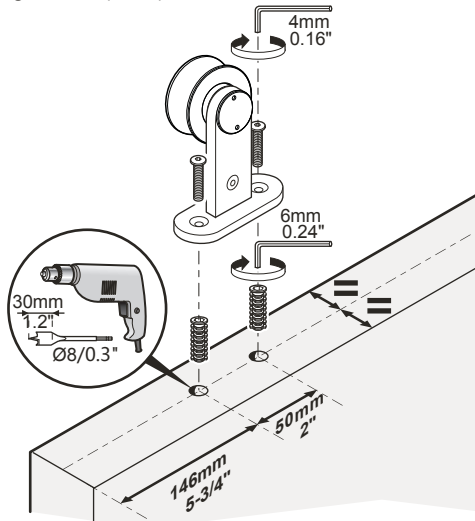


3

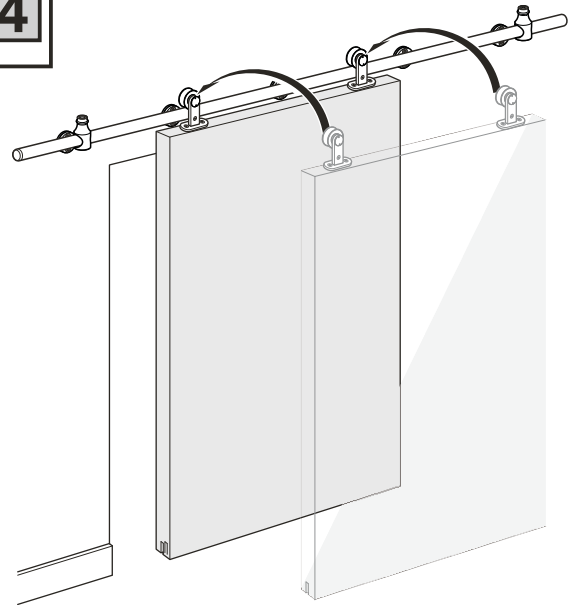
Drill holes centered in door thickness for hanger anchors using a 5/16" (8mm) bit.



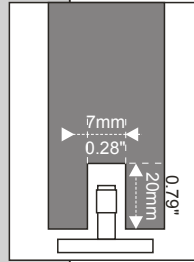
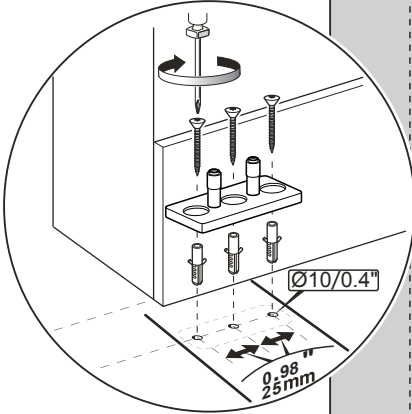
Remove anti-rise pin from hanger.



4

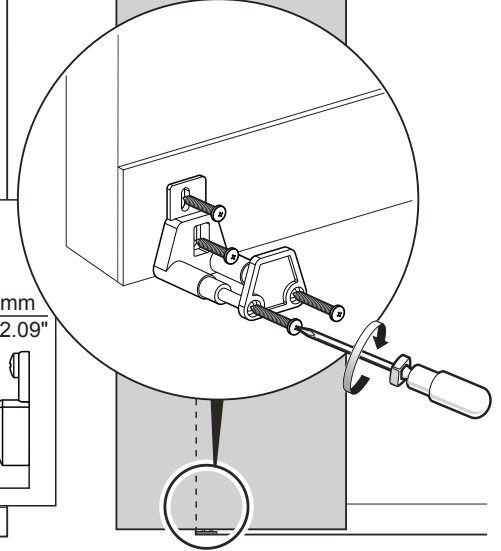
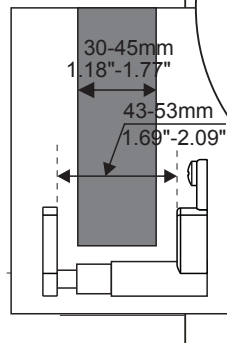


5



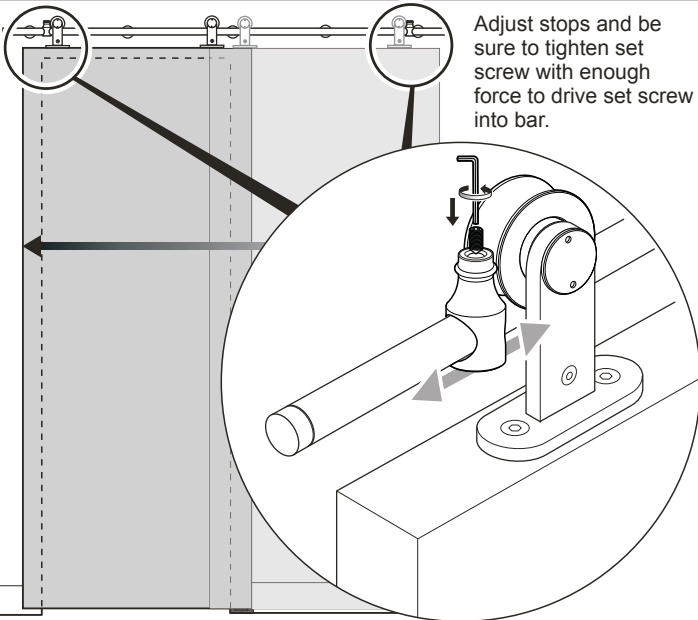
5

Optional



6

Adjust stops and be sure to tighten set screw with enough force to drive set screw into bar.



7

Re-attach anti-rise pin into hanger

