

## COMMERCIAL CYLINDRICAL DEADBOLT

The DB700 Series deadbolts are designed for use on all light to heavy duty commercial applications and add style and security to any door. They can be keyed to match any LHV or LSV lockset.



## FEATURES

- Certification: ANSI A156.5
- Door Thickness: 1 3/4"
- UL R14897 adjustable backset: 2 3/4" - 2 3/8"
- Full 1" throw deadbolts
- Cylinder: Schlage "C" keyway
- Keying: Schlage 6 pin keypad
- Key: 2 six pin Nickel Plated
- Strike: 1 1/8" x 2 3/4" strike
- Non-handed / reversible
- DL-DB751: Single cylinder
- DL-DB760: Double cylinder
- Finish matches LHV and LSV Series
- Warranty: 1 year mechanical and finish
- Finishes: US3, US26D

## ACCESSORIES



**DL-TA018**  
1 1/4" x 4 7/8"  
ASA Deadbolt Strike



**DL-TA019**  
1 1/8" x 1 1/4"  
Deadbolt  
strike



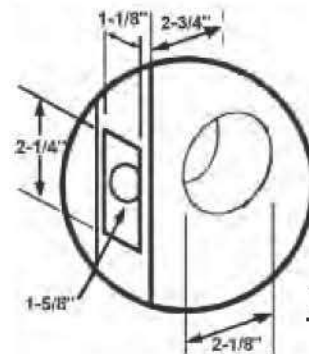
**DL-DX161 FILLER COVER**

- 2 3/8" filler plate
- Finish: US26D

## KEYING OPTIONS

(additional charges may apply)

- 2 keys per deadbolt
- KD: Keyed Different
- KA: Keyed Alike
- KA2: Keyed Alike; groups of 2
- KEYWAYS: SC6



**DOOR PREP**