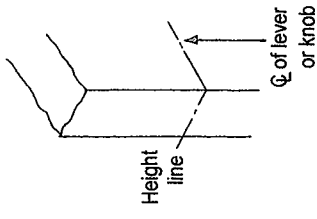
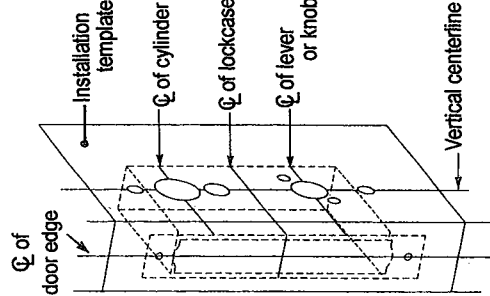
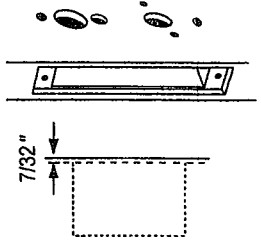
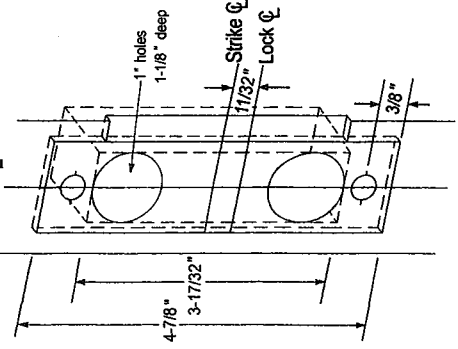


## M Series Heavy Duty Mortise Lock (Rose Trim Type) Installation Instructions

### A. Door Preparation

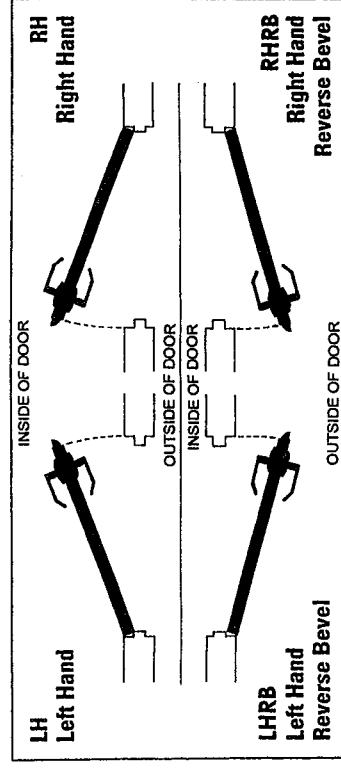
1. Measure desired height from finished floor, mark a horizontal line on door and door edge.
 
2. Align template on edge of door with applicable horizontal at height line. Check the chart of drilling trim holes on template and mark only holes for lock function being installed.
 
3. Mortise door edge according to measurements of installation template and drill proper holes for trims.
 
4. Recess for face plate, the dimension is L 8-1/32" x W 1-5/16" X D 7/32".

### B. Strike Installation

1. Align strike template on jamb. Be sure to keep 11/32" distance between lock centerline and strike centerline. Bore 1" diameter holes into door edge, 1-1/8" deep. Recess 5/32" for flush fit of strike and dust box.
 
2. Mortise jamb according to measurement of strike template. Then fit strike and dust box into frame and secure into place with supplied screws.

### C. Install Lock Case

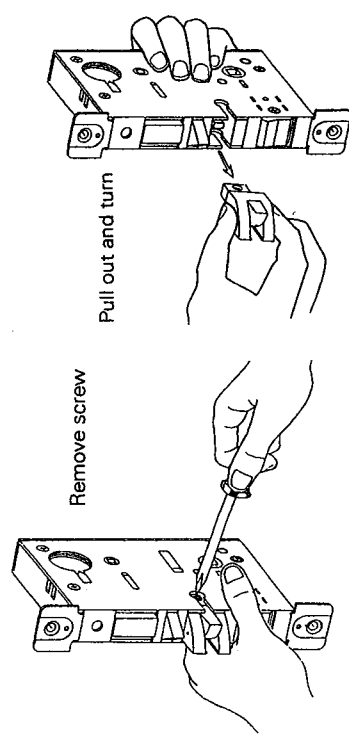
- A) Make sure lock hand to match door hand, use the following diagram to determine the hand of door.



### B) Instructions for changing lock hand :

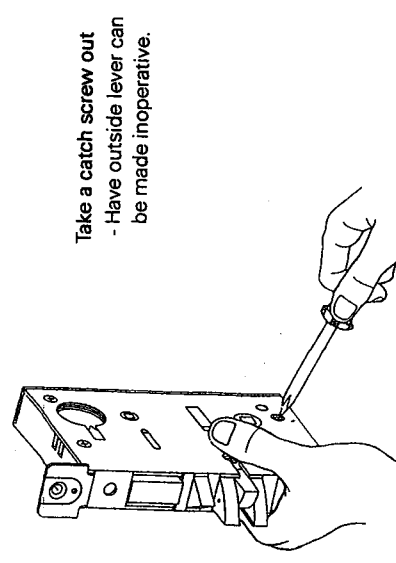
#### 1. Change latchbolt handing

If the hand of latchbolt doesn't match door hand, remove fixing screw and pull latchbolt out from lock case, then turn complete unit having the bevel of latchbolt to reverse door handing. Position latchbolt back and fasten it.



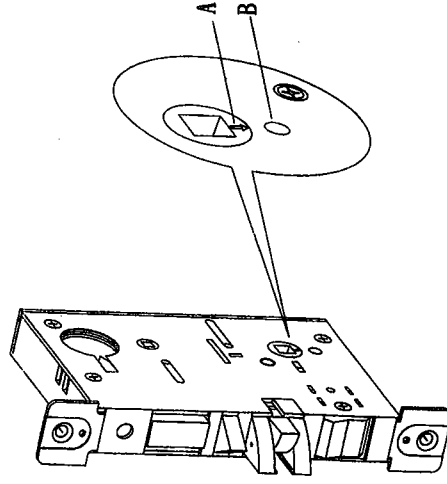
#### 2. Set outside hand of lock case

There are two catch screws of lock hand on both sides of chassis. Take catch screw out from one side of chassis which is going to face outside of door. And another catch screw must always be on *inside* of chassis. For RH and RHRB, the catch screw will be on the lock case side. For LH and LHRB, the catch screw will be on the lock case cover side.

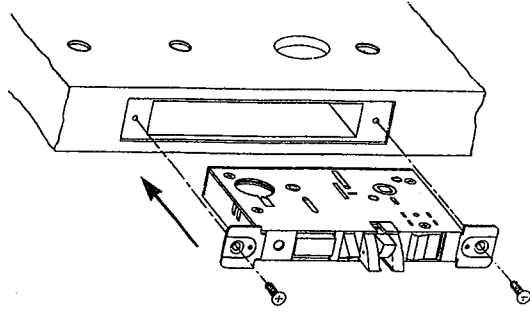


Take a catch screw out  
- Have outside lever can be made inoperative.

- C) Check the hub of lock case if it is seated in the position as same as the arrow mark "A" which is pointed to "B" hole direction. If yes, to proceed next step.

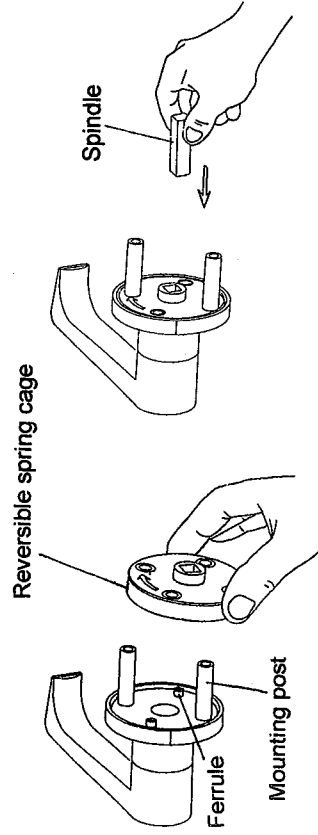


- D) Insert lock case into mortise cut - out and fasten screws to door.

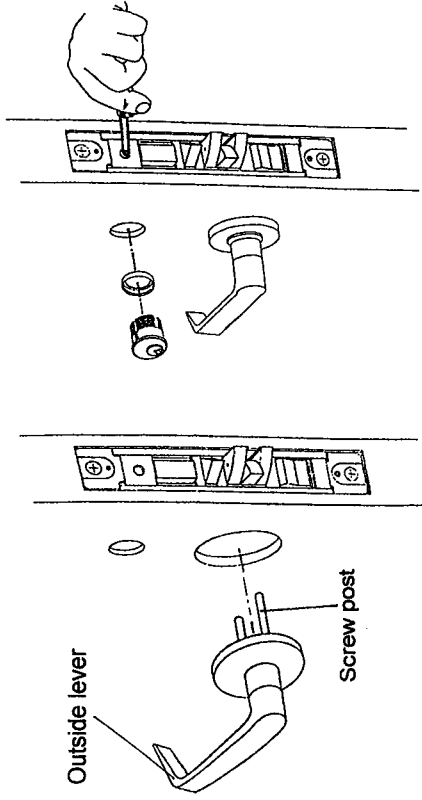


#### D. Install Outside Trim & Cylinder

1. Make sure the direction of outside lever to be installed, then place the reversible spring cage into ferrules with arrow pointing in direction of lever rotation and fasten with screws.
2. Insert spindle into hub of spring cage on outside trim.



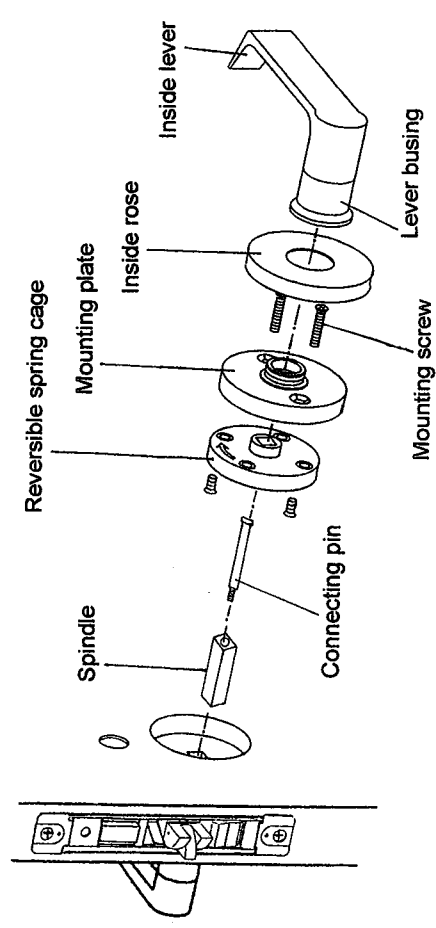
3. Install outside trim with mounting posts through door and position spindle into hub of the lock case.
4. Loosen the cylinder retaining screw to allow the mortise cylinder to be threaded into lock case by inserting a screw driver in the hole on the mortise lock body.
5. Screw the mortise cylinder through the outside trim into cylinder hole in the lock case.
6. Tighten retaining screw against cylinder(s) by counterclockwise.



#### E. Install Inside Trim

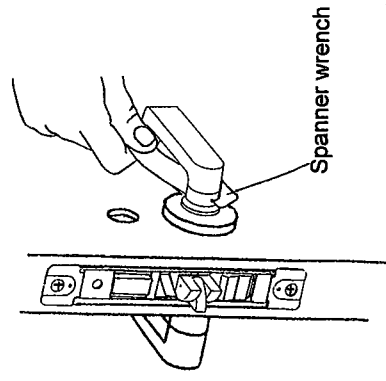
1. Disassemble inside trim assembly by spanner wrench first before next step.
2. Insert spindle into hub of the lock case and turn it to double check if latchbolt can be retracted. Then screw connecting pin through the spindle.
3. Place reversible spring cage into ferrules on mounting plate with arrow pointing in direction of lever rotation.

4. Install mounting plate onto spindle. Tighten with provide screws.
5. Cap inside rose over the mounting plate.



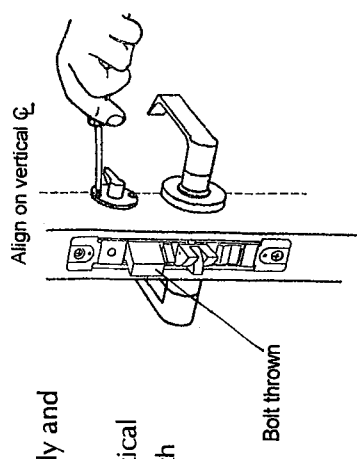
NOTE : In case thicker door, to adjust the length of spindle when it is inserted into the spring cage.

6. Screw inside lever into position and tighten lever busing with spanner wrench.



#### F. Install Thumbturn

1. Insert thumbturn assembly and project deadbolt.
2. Align screw holes on vertical centerline and fasten with screws.



#### G. Install Armor Face Plate

Install face plate onto lock case front and then fasten with supplied screws.

