

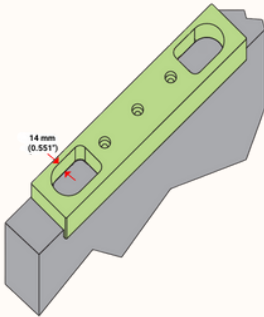
Routing Instructions

The routing size/width/depth is the same for both the Door and Door Frame.

Step 1:

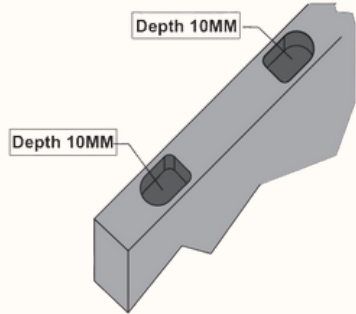
1. First determine your desired hinge location.
2. Screw down the routing jig in your desired location.

Note: The top of the routing jig (when flush against the wood) lays 14 mm (0.551") above the wood, prior to any routing.



Step 2:

1. Route out both routing jig holes: 10 mm (0.394")
 - a. Please route the 10 mm depth in at least two (2) separate passes of (maximum) 5 mm (0.197") per pass.

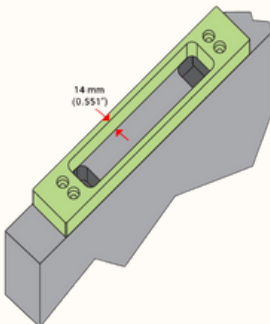


Step 3:

1. Remove the initial routing jig and lay the second routing jig into place.
 - a. The second routing jig has slots that will fit perfectly into the previously routed-out holes.
2. Screw the second routing jig into place.

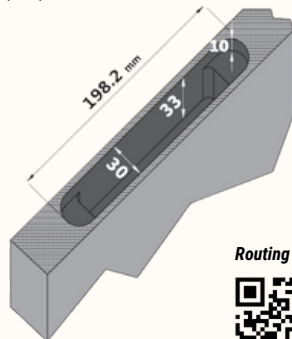
Note: The second routing jig's body should lay flush against the wood, with the bottom slots fitting perfectly into the previously routed-out holes.

Note: With the second routing jig laying flush against the wood, the top of the routing jig lays 14 mm (0.551") above the wood.



Step 4:

1. Route out routing jig hole: 33 mm (1.299")
 - a. Please route the 33 mm depth in at least seven (7) separate passes of (maximum) 5 mm (0.197") per pass.



Routing Video/Tutorial

