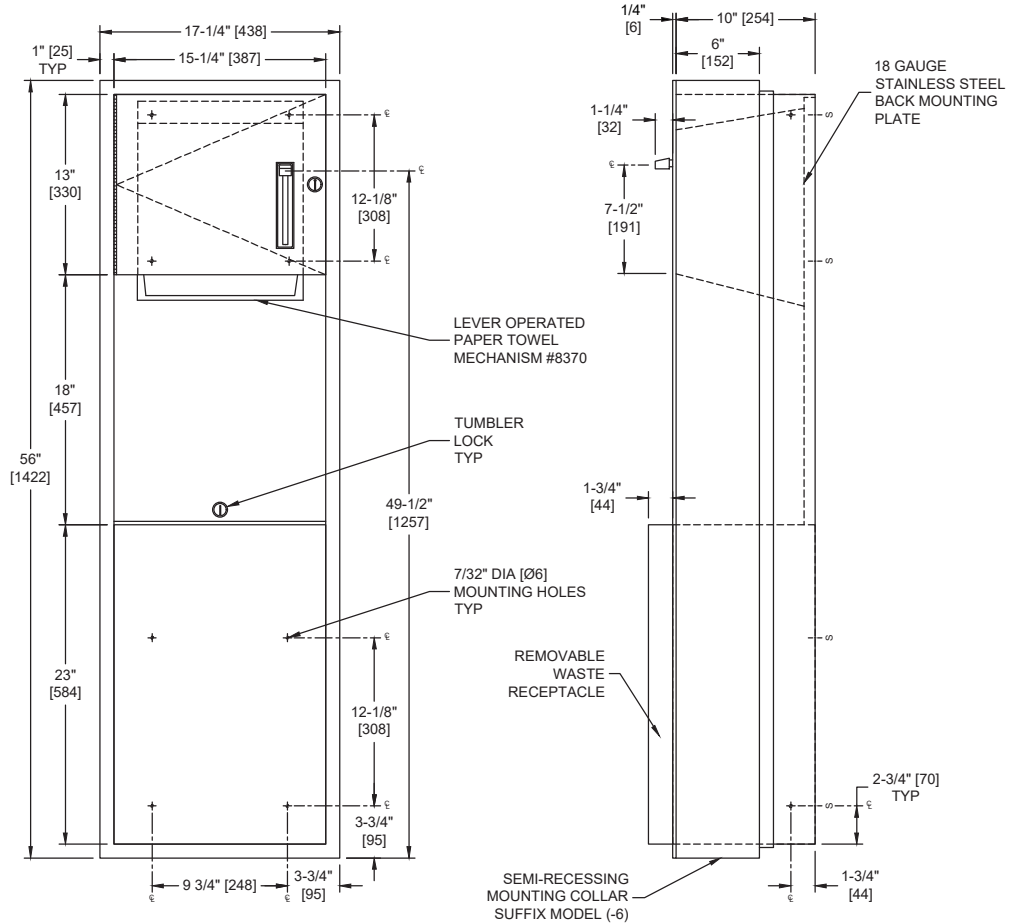


Roll Paper Towel Dispenser & Waste Receptacle – Semi-Recessed

Paper Towel Combination Units

Traditional

MasterFormat Section 10 28 13



NOTE:
ALL DIM'S INCH [MM]
ILLUSTRATION FOR REF ONLY AND NTS
FOR CLEANING INSTRUCTIONS SEE APPROPRIATE SECTIONS IN
PRODUCT CARE & MAINTENANCE BULLETIN (PCM) ON ASI WEBSITE

Scan for Information



SUSTAINABILITY/LEED

MR 4.1 (1) EQ 4.1 (1)
MR 4.2 (1) EQ 4.2 (1)
MR 6 (1) EQ 4.4 (1)

PRODUCT OVERVIEW

Unit mechanically dispenses 8" [205] or 9" [230] wide standard towel roll up to 800 ft. (244m) long and has stub roll capability for continuous dispensing. 18 gal. (68 liters) disposal capacity. Semi-recessed with 6" stainless steel collar. Towels are fed by lever action until supply is depleted. Towel feed length is adjustable for economy by pin (supplied) limiting of lever stroke length. Unit may be reloaded with a full roll to automatically start when finished with an existing partial roll. Locking compartment and receptacle retainer prevents unauthorized access or removal.

KEY FEATURES & SPECIFICATIONS

- Double-pan construction door has "no-Flex" fiberboard filler for added rigidity and strength
- Door is attached to the cabinet with a 3/16" diameter [Ø5] Heavy-duty, Multi-Staked Stainless Steel Piano Hinge
- Type 304 Stainless Steel - Satin Finish
- Semi-Recessed
- 600 C-Fold or 800 Multi-Fold / 12.0 Gal. (46.0 L) Waste Capacity

OPERATION & MAINTENANCE

Towels are fed by lever action until supply is depleted. Towel feed length is adjustable for economy by pin (supplied) limiting of lever stroke length. Unit may be reloaded with a full roll to automatically start when finished with an existing partial roll. Waste container is emptied manually on cycle determined by maintenance needs. Locking compartment and receptacle retainer prevents unauthorized access and removal.

TECHNICAL INFORMATION / PRODUCT PROPERTIES

Property	Value
Dimensions	17-1/4" [438] W x 56" [1422] H x 11-3/4" [299] D
Construction	Type 304 Stainless Steel - Satin Finish
Mounting	Semi-Recessed - w/6" collar
Capacity	Roll Towels - up to 800 ft. Length / 18.0 Gal. (68.0 L) Waste Capacity

INSTALLATION

Install unit in wall recess using four (4) #10 self-threading screws (by others) through concealed mounting holes provided. Note that top of Rough Wall Opening (RWO) is 3/4" [19] below top of unit. Suggested mounting height is 55" [1397] Above Finished Floor (AFF) to lever handle. For reduced height compliance with 6" [152] curb and compliance with 2010 ADA Accessibility Standards see Model #0463 or #046921 series.

Rough Wall Opening (RWO) required is 15-3/4 [400] W x 54-1/2" [1384] H x 4" [102] D minimum

WARRANTY

One (1) Year from date of Invoice